
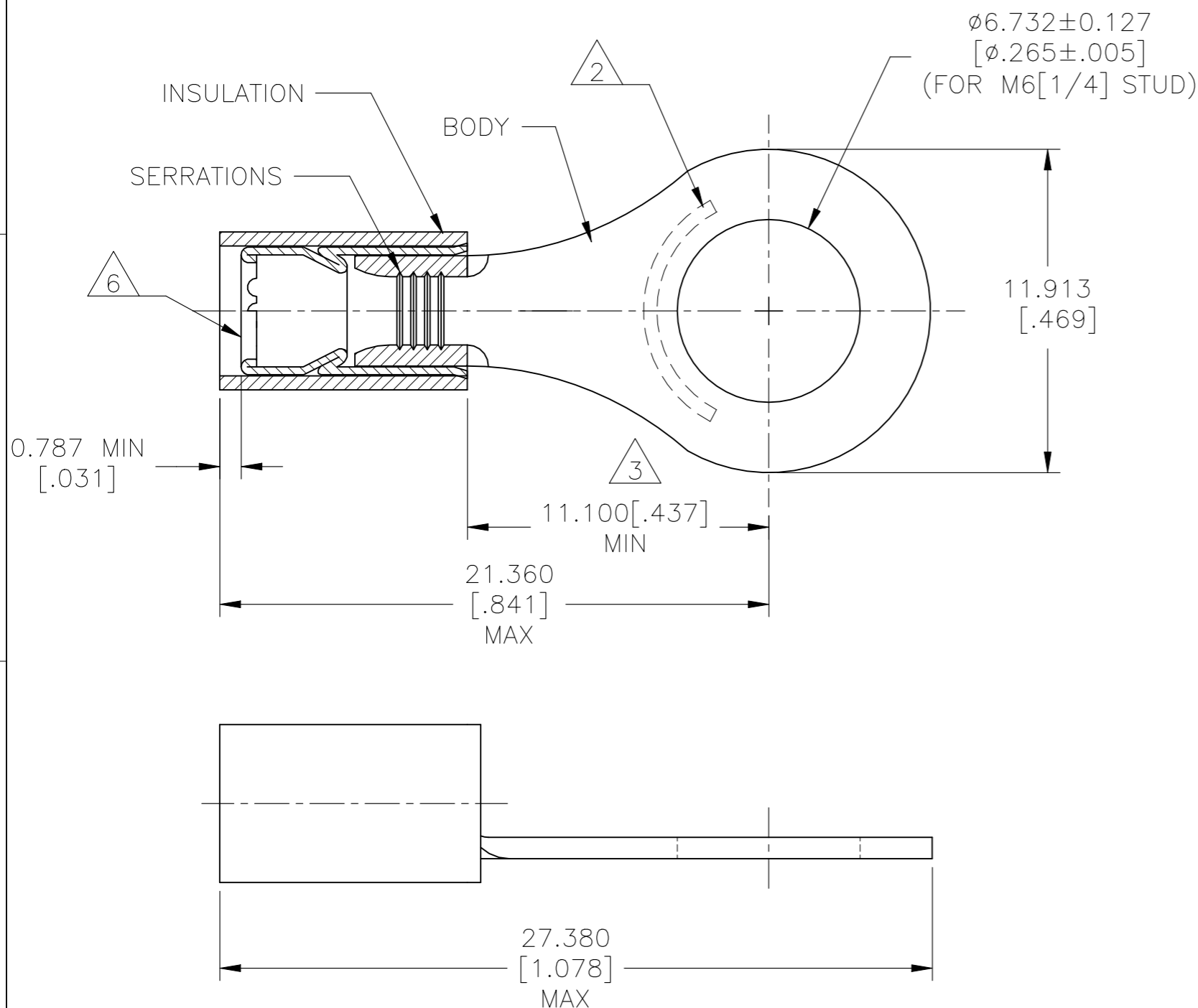


© - TE Connectivity. All Rights Reserved.

REVISIONS				
P	LTR	DESCRIPTION	DATE	APVD
	H4	ECO-21-003818	25MAR2021	RK DR

AMP WIRE RANGE	 Listed FILE E13288
16-14 AWG SOLID OR STRANDED	16-14 AWG SOLID OR STRANDED

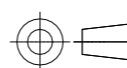





- 1 FOR 2.921[.115] TO 4.318[.170] WIRE INSULATION DIA
- 2 STAMP AMP 16-14* APPROX AS SHOWN,
- 3 APPLIES FROM EDGE OF METAL WIRE BARREL TO CENTER OF STUD HOLE.
- 4 MATERIAL: BODY & SLEEVE: COPPER PER ASTM B152. INSULATION : NYLON
- 5 FINISH: BODY & SLEEVE: TIN PLATE 0.00254[.000100] PER MIN EXT THK PER ASTM B545. INSULATION: COLOR-BLUE.
- 6 INTERNAL EDGE FEATURE MAY BE SOLID OR SCALLOPED
- 7. BODY MATL THK: 0.789±0.051 [.031±.002]

100	LOOSE PC, BOX	8-321045-1
4000	TAPE REEL	2-321045-1
1000	LOOSE PC,	321045
QTY	PACKAGE TYPE	PART NO

AMP INCORPORATED CUSTOMER SERVICE SYSTEMS

FOR ADDITIONAL PRODUCT INFORMATION OR COPIES OF DRAWINGS AND TECHNICAL DOCUMENTS	PRODUCT INFORMATION CENTER 1-800-522-6752	RECOMMENDED OPERATING TEMPERATURE: 105°C [221°F]
FOR APPLICATION TOOLING INFORMATION	TOOLING ASSISTANCE CENTER 1-800-722-1111	VOLTAGE RATING: 300V MAX
FOR ORDER ENTRY	1-800-526-5142	WIRE CROSS SECTIONAL AREA RANGE: 1.04-2.62mm ² [2,050-5,180] CIR.MIL SOLID OR STRANDED

THIS DRAWING IS A CONTROLLED DOCUMENT.	
DIMENSIONS: mm [INCHES]	TOLERANCES UNLESS OTHERWISE SPECIFIED:
	0 PLC ± -
	1 PLC ± -
	2 PLC ± -
	3 PLC ± 0.127[.005]
	4 PLC ± -
	ANGLES ± -
MATERIAL	FINISH
	

DWN KIRAN HOLAL 03APR12	 TE Connectivity	
CHK ROHDE DANIEL 03APR12		
APVD ROHDE DANIEL 03APR12	NAME	
PRODUCT SPEC UL 486A-B	TERMINAL, RING TOUNGE P.I.D.G, WIRE SIZE:16-14 AWG	
APPLICATION SPEC 114-2157	SIZE	CAGE CODE
WEIGHT -	A3	00779
CUSTOMER DRAWING	DRAWING NO C-321045	RESTRICTED TO -
SCALE 5:1	SHEET 1 OF 1	REV H4

Mouser Electronics

Authorized Distributor

Click to View Pricing, Inventory, Delivery & Lifecycle Information:

[TE Connectivity:](#)

[321045](#)