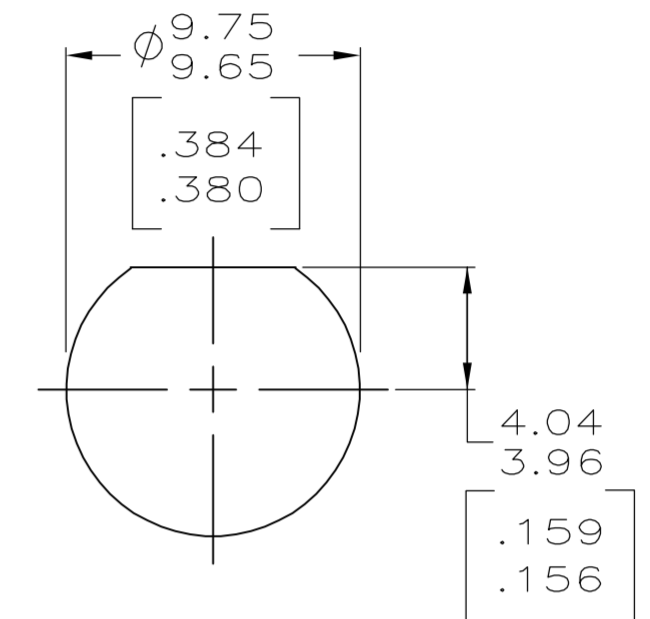
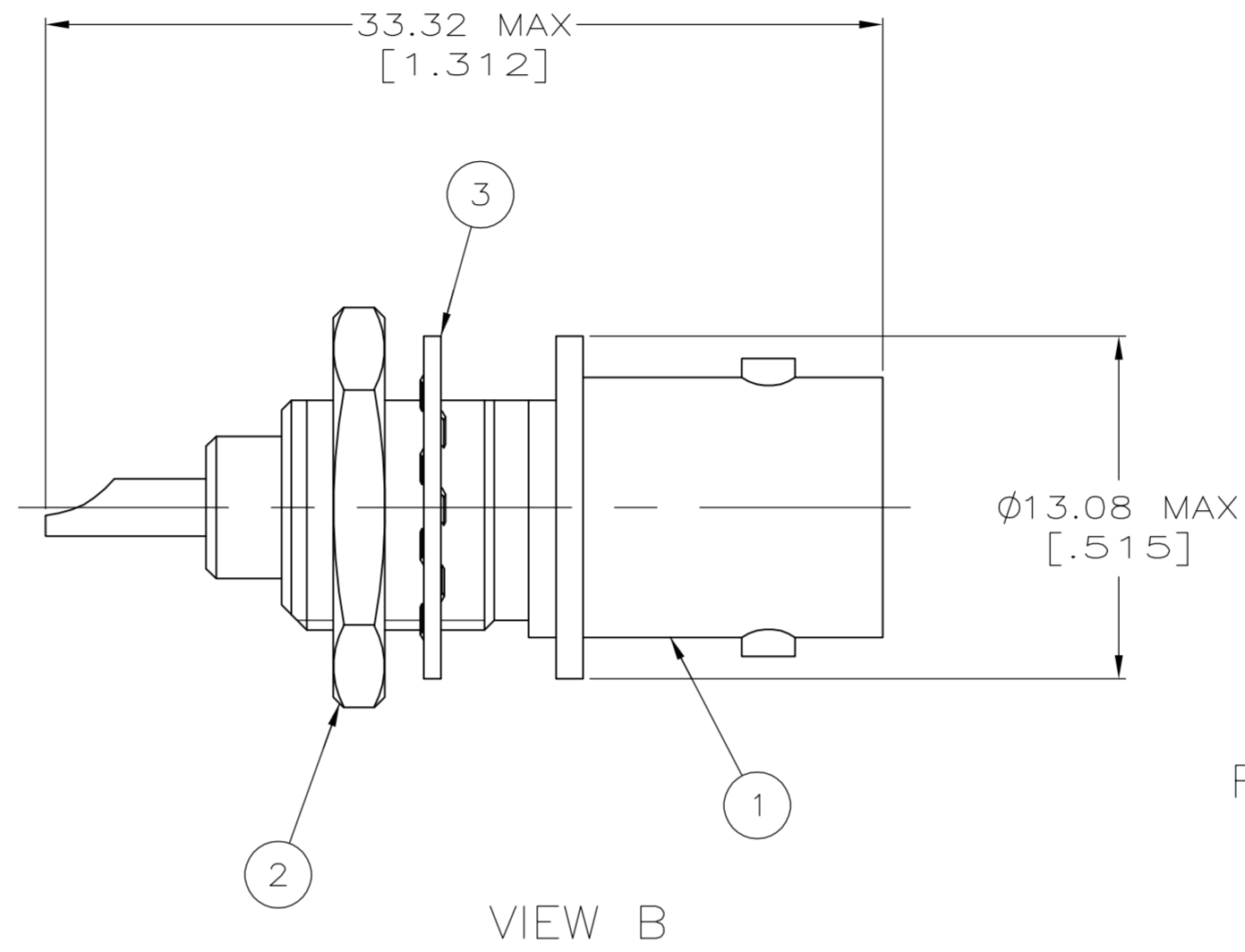
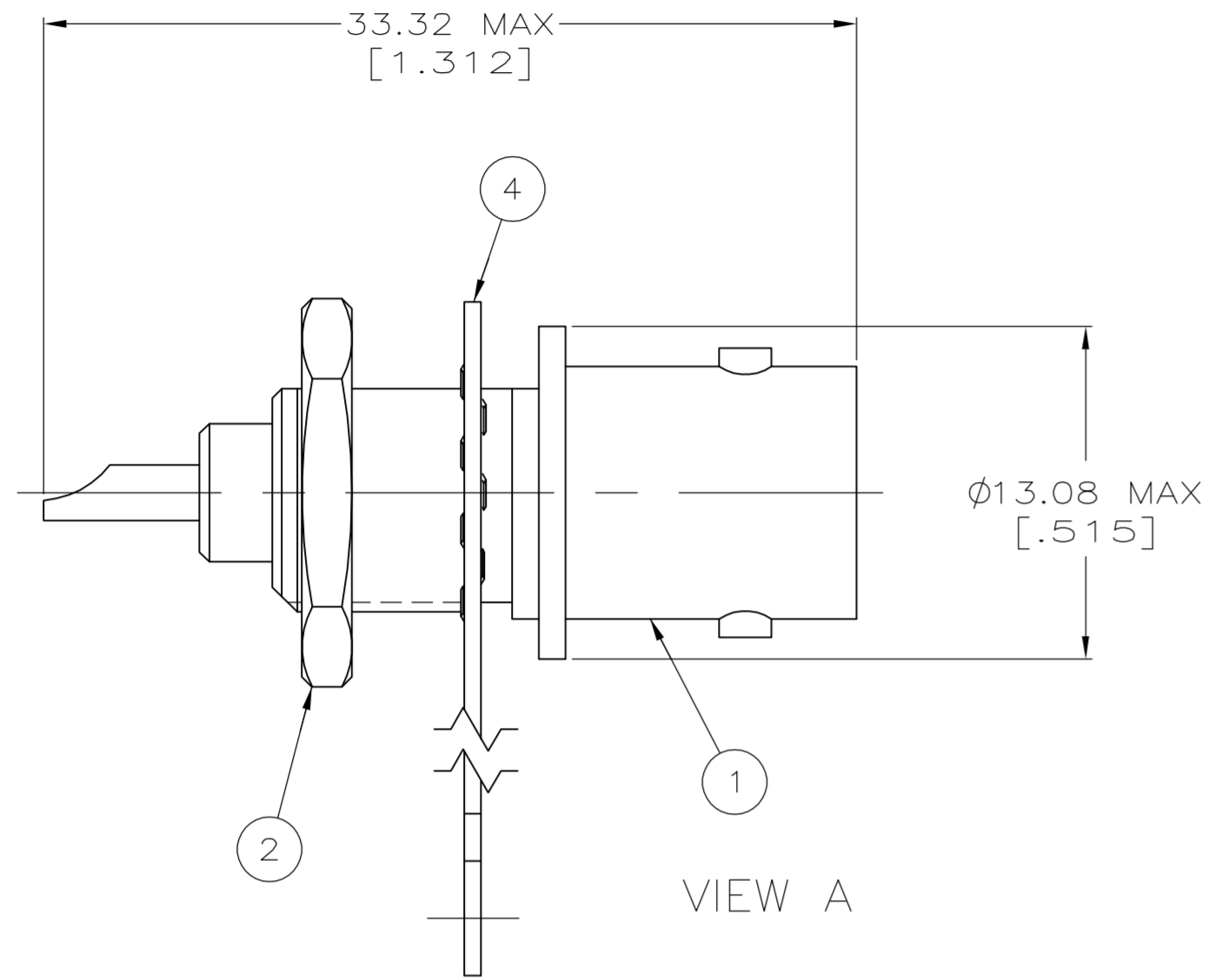


THIS DRAWING IS UNPUBLISHED. RELEASED FOR PUBLICATION
 © COPYRIGHT BY TYCO ELECTRONICS CORPORATION. ALL RIGHTS RESERVED.

LOC	DIST	REVISIONS			
P	LTR	DESCRIPTION	DATE	DWN	APVD
AJ	16	0	PER EC OS14-0072-05	26APR2005	JA JL



RECOMMENDED PANEL CUTOUT

PRELIMINARY
NOT RELEASED
FOR PRODUCTION

1. 6.35 [.250] MAXIMUM PANEL THICKNESS.

.246 OZ	A	9-227260-0	-	1-330249-1	227140-2	5227169-8
.246 OZ	A	9-227260-0	-	1-330249-1	227140-3	5227169-7
.246 OZ	A	9-227260-0	-	1-330249-1	227140-1	5227169-5
.246 OZ	B	-	1-329492-1	1-330249-1	227140-2	5227169-4
WEIGHT	VIEW	④ LOCKWASHER TERMINAL QTY=1	③ LOCKWASHER QTY=1	② JAM NUT QTY=1	① JACK ASSY QTY=1	PART NUMBER

THIS DRAWING IS A CONTROLLED DOCUMENT.

DIMENSIONS: mm [INCHES]	TOLERANCES UNLESS OTHERWISE SPECIFIED:	DWN J. ALCORTA - DOCK5 26APR2005	CHK J. HAVENER 26APR2005	APVD J. LIPPERT 26APR2005	NAME	 Tyco Electronics Corporation Harrisburg, Pa 17105-3608
	0 PLC ± - 1 PLC ± - 2 PLC ± - 3 PLC ± - 4 PLC ± - ANGLES ± - FINISH	PRODUCT SPEC 108-12079	APPLICATION SPEC	SIZE A2	CAGE CODE 00779	DRAWING NO C=5227169
MATERIAL -	FINISH -	WEIGHT -	CUSTOMER DRAWING	SCALE 4:1	SHEET 1 OF 1	RESTRICTED TO -

PRELIMINARY

SOLDER JACK,
50 OHM,
BNC