

RECOMMENDED PCB LAYOUT DIM±0.05

NOTES:

- MECHANICAL CHARACTERISTICS:
 - 1-1. DIMENSIONS SHALL BE INTERPETED PER ANSI Y14.5M-1994.
 - 1-2. TAIL COPLANARITY TO BE 0.10mm MAX. PCB COPLANARITY TO BE 0.03mm MAX. ON CONNECTOR AREA.
 - 1-3. DURABILITY: 1000 CYCLES.
 - 1-4. RETENTION FORCE: 0.25 KGF PER PIN
- ELECTRICAL CHARACTERISTICS:
 - 2-1. INSULATION RESISTANCE: 1000 MEGOHMS MIN. AT 500 VDC.
 - 2-2. DIELECTRIC WITHSTANDING VOLTAGE: 500 VDC AT SEA LEVEL.
 - 2-3. LOW LEVEL CONTACT RESISTANCE (DRY CIRCUIT):
 - LLCR: $\Delta 15\ m\Omega$ maximum
- ENVIRONMENTAL CHARACTERISTICS:
 - 3-1. OPERATING TEMPERATURE: -55°C TO 125°C.

PRUDCT NO: 2EM 5 *** - B1 9 BL - * *

SERIES PREFIX :
MINI EDGE CARD

PITCH TYPE:
5: 0.80mm PITCH
VERTICAL SMT

NO. OF POS.:
10: 20 POS.
20: 40 POS.
40: 80 POS.
50: 100 POS.
60: 120 POS.
70: 140 POS.
80: 160 POS.
A0: 200 POS.

CONTACT AREA PLATING:
1: GOLD FLASH.
7: 15u" GOLD
3: 30u" GOLD


GREEN CODE:
F: LEAD FREE
RoHS 2.0 COMPLIANT
H: LEAD FREE
HALOGEN FREE
RoHS 2.0 COMPLIANT

PACKAGE CODE:
8: TAPE REEL WITH MYLAR
7: TAPE REEL WITHOUT MYLAR
2: HARD TRAY WITH MYLAR
ONLY FOR 160 PIN & 200PIN
4: SOFT TRAY WITHOUT MYLAR
ONLY FOR 160 PIN & 200PIN
5: SOFT TRAY WITH MYLAR
ONLY FOR 160 PIN & 200PIN

EXTENSION CODE
TAIL LENGTH
9: SMT TAIL
EXTENSION CODE

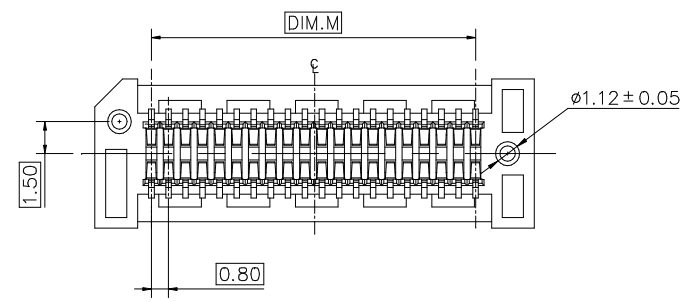
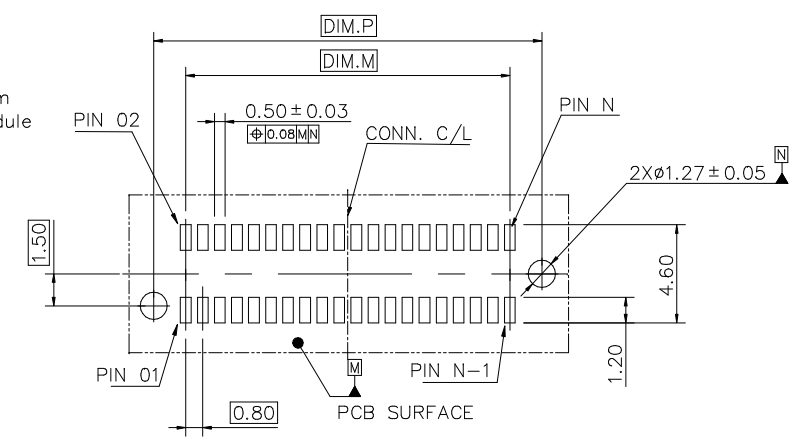
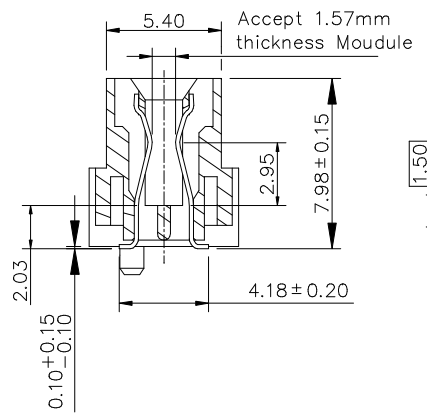
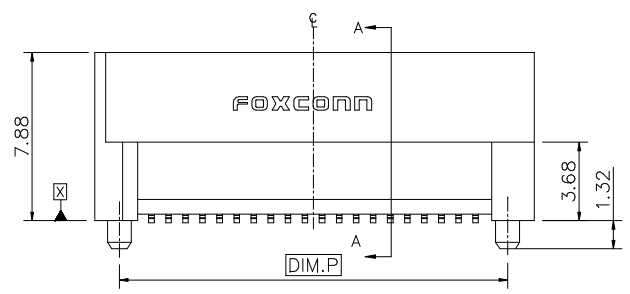
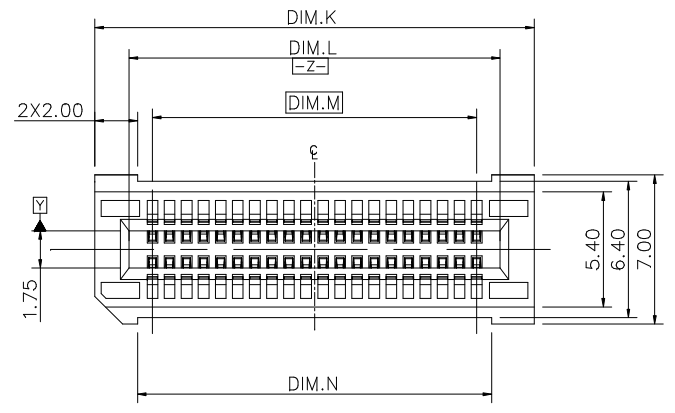
2	CONTACT	SEE P/N	COPPER ALLOY	NICKEL PLATING OVERALL THICKNESS 50u" MIN. GOLD PLATING OVER NICKEL ON THE CONTACT AREA MATTE TIN PLATING OVER NICKEL ON THE TAIL.
1	HOUSING	1	THERMOPLASTIC ,UL94V-0	MOLDED BLACK
ITEM	DESCRIPTION	Q'TY	MATERIAL	TREATMENT

2EM5A0*-B19BL-**	87.80	84.60	26.90	24.80	82.40	83.80	85.40	200	TO BE DEVELOPED
2EM580*-B19BL-**	71.80	68.60	26.90	24.80	66.40	67.80	69.40	160	
2EM570*-B19BL-**	63.80	60.60	26.90	24.80	58.40	59.80	61.40	140	
2EM560*-B19BL-**	55.80	52.60	26.90	24.80	50.40	51.80	53.40	120	
2EM550*-B19BL-**	47.80	44.60	22.90	20.80	42.40	43.80	45.40	100	
2EM540*-B19BL-**	39.80	36.60	18.90	16.80	34.40	35.80	37.40	80	TO BE DEVELOPED
PART NUMBER	DIM. A	DIM. B	DIM. C	DIM. E	DIM. G	DIM. H	DIM. J	PIN N	

X.±	X'.±	UNITS mm	NAME(INTENDED USE) 0.8mm Pitch SMT Mini Edge Card Connector	 FOXCONN INTERCONNECT TECHNOLOGY LIMITED.						
.X± 0.38	.X'±	MAT'L N/A	PART NO.(INTENDED USE) 2EM5***-B19BL-**							
.XX± 0.25	.XX'±	FINISH N/A	APPD: Davy Bu 01/24'18	CLASS: <input type="checkbox"/> CONFIDENTIAL <input type="checkbox"/> SECRET <input checked="" type="checkbox"/> GENERAL						
.XXX±	.XXX'±	Q'TY N/A	CHKD: Johnny Tang 01/24'18 DRAW: Leon Hu 01/24'18	TITLE: CUSTOMER DRAWING						
THESE DRAWINGS AND SPECIFICATIONS ARE THE PROPERTY OF FOXCONN INTERCONNECT TECHNOLOGY LIMITED AND SHALL NOT BE REPRODUCED, COPIED OR USED IN ANY MANNER WITHOUT THE PRIOR WRITTEN CONSENT OF FOXCONN INTERCONNECT TECHNOLOGY LIMITED.				DWG NO.: 303-0000-3356 <table border="1"> <tr> <td>SCALE</td> <td>SHEET</td> <td>REV.</td> </tr> <tr> <td>N/A</td> <td>1/6</td> <td>AX8</td> </tr> </table>	SCALE	SHEET	REV.	N/A	1/6	AX8
SCALE	SHEET	REV.								
N/A	1/6	AX8								

REV.	ECN. NO.	APPD.

NOTES: SEE SHEET 1/6



SECTION A-A

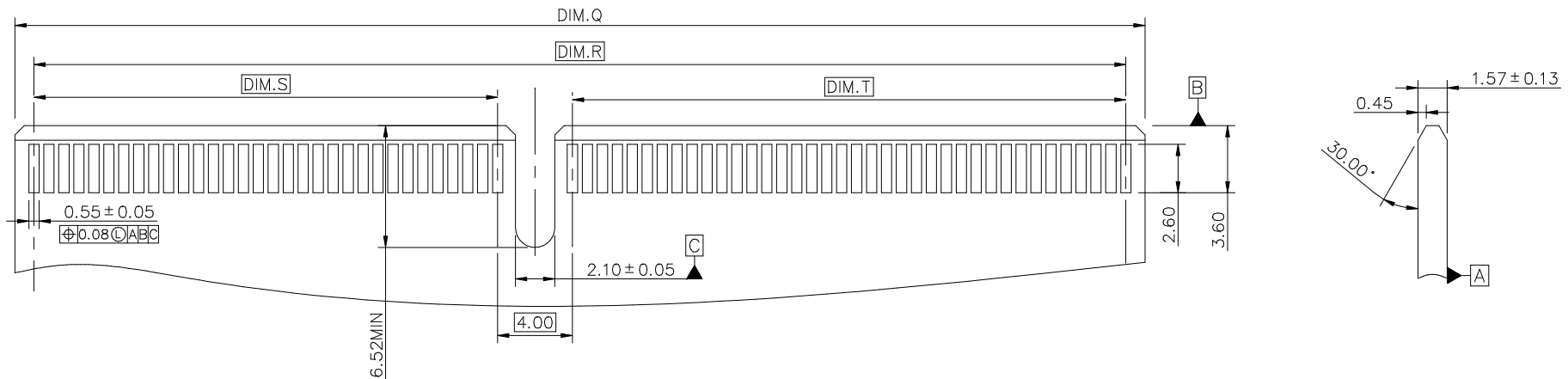
RECOMMENDED PCB LAYOUT
DIM. TOLERANCE : ± 0.05

2EM530*-B19BL-**	28.60	25.40	23.20	24.60	26.20	60	TO BE DEVELOPED
2EM520*-B19BL-**	20.60	17.40	15.20	16.60	18.20	40	
2EM510*-B19BL-**	12.60	9.40	7.20	8.60	10.20	20	
PART NUMBER	DIM. K	DIM. L	DIM. M	DIM. N	DIM. P	PIN N	

X.±	X.*±	UNITS mm	NAME(INTENDED USE) 0.8mm Pitch SMT Mini Edge Card Connector				
.X± 0.38	.X*±	MAT'L N/A	PART NO.(INTENDED USE) 2EM5***-B19BL-**				
.XX± 0.25	.XX*±	FINISH N/A	APPD: Davy Bu 01/24'18	CLASS: <input type="checkbox"/> CONFIDENTIAL <input type="checkbox"/> SECRET GENERAL			
.XXX±	.XXX*±		Q'TY N/A	CHKD: Johnny Tang 01/24'18	TITLE: CUSTOMER DRAWING		
<small>THESE DRAWINGS AND SPECIFICATIONS ARE THE PROPERTY OF FOXCONN INTERCONNECT TECHNOLOGY LIMITED. AND SHALL NOT BE REPRODUCED, COPIED OR USED IN ANY MANNER WITHOUT THE PRIOR WRITTEN CONSENT OF FOXCONN INTERCONNECT TECHNOLOGY LIMITED.</small>			DRAW: Leon Hu 01/24'18	DWG no.: 303-0000-3356			
			<table border="1"> <tr> <td>SCALE</td> <td>SHEET</td> <td>REV.</td> </tr> <tr> <td>N/A</td> <td>2/6</td> <td>AX8</td> </tr> </table>		SCALE	SHEET	REV.
SCALE	SHEET	REV.					
N/A	2/6	AX8					

REV.	ECN. NO.	APPD.

NOTES: SEE SHEET 1/6

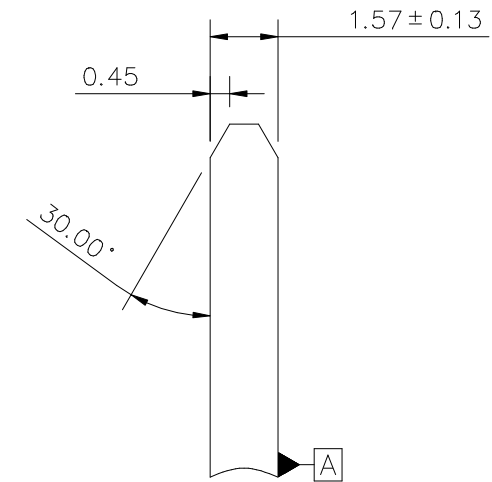
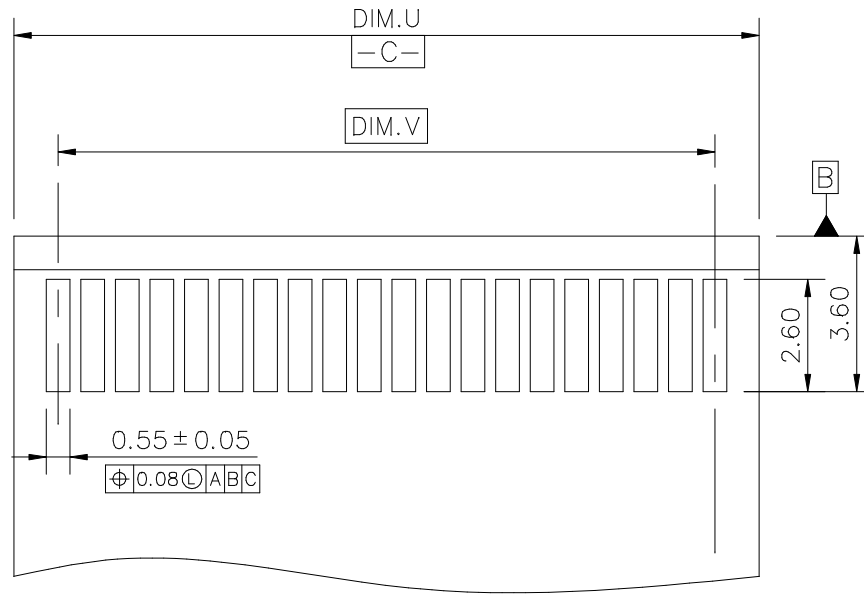


ADD-IN CARD EDGE-FINGER DIMENSIONS

X.±	X.*±	UNITS	mm	NAME(INTENDED USE)	 FOXCONN INTERCONNECT TECHNOLOGY LIMITED.		
.X± 0.10	.X*±	MAT'L	N/A	0.8mm Pitch SMT Mini Edge Card Connector			
.XX± 0.05	.XX*±			PART NO.(INTENDED USE)	CLASS: <input type="checkbox"/> CONFIDENTIAL <input type="checkbox"/> SECRET <input checked="" type="checkbox"/> GENERAL		
.XXX±	.XXX*±	FINISH	N/A	2EM5***-B19BL-**	TITLE: CUSTOMER DRAWING		
<small>THESE DRAWINGS AND SPECIFICATIONS ARE THE PROPERTY OF FOXCONN INTERCONNECT TECHNOLOGY LIMITED, AND SHALL NOT BE REPRODUCED, COPIED OR USED IN ANY MANNER WITHOUT THE PRIOR WRITTEN CONSENT OF FOXCONN INTERCONNECT TECHNOLOGY LIMITED.</small>				APPD:	Davy Bu 01/24'18		
				CHKD:	Johnny Tang 01/24'18	DWG NO.:	303-0000-3356
				DRAW:	Leon Hu 01/24'18	SCALE	N/A

REV.	ECN. NO.	APPD.

NOTES: SEE SHEET 1/6



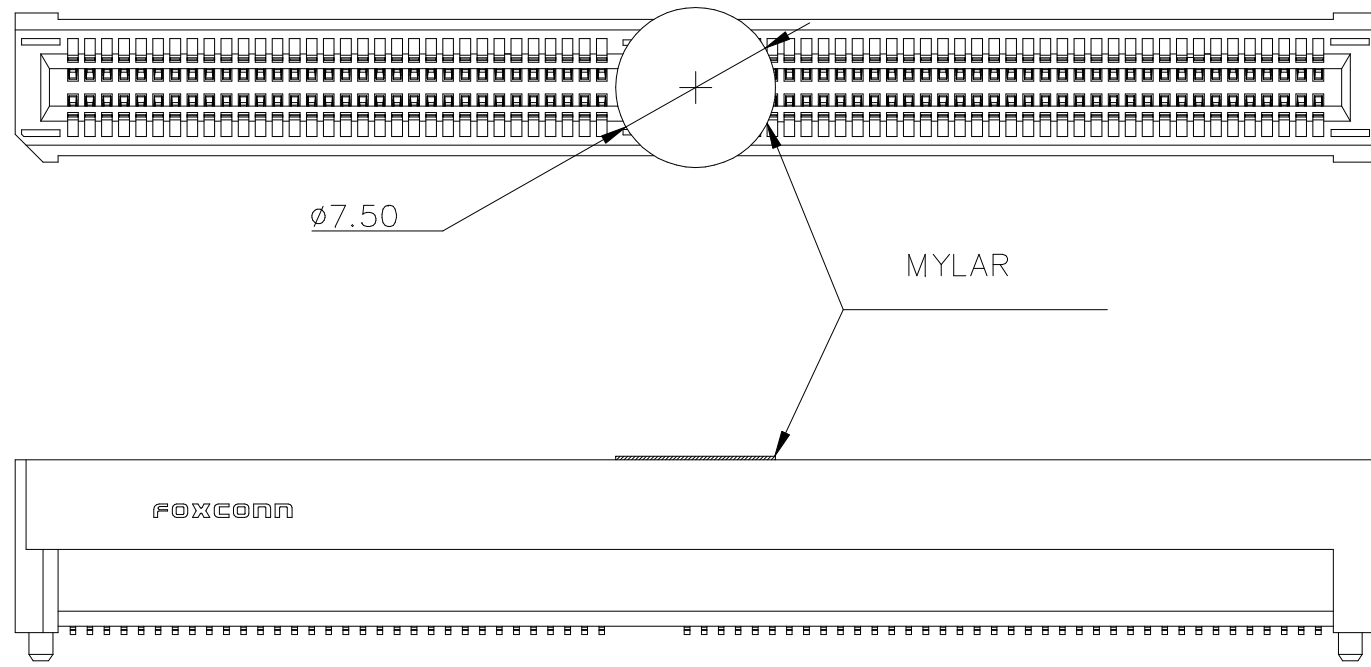
ADD-IN CARD EDGE-FINGER DIMENSIONS

2EM530*-B19BL-**	25.25	23.20
2EM520*-B19BL-**	17.25	15.20
2EM510*-B19BL-**	9.25	7.20
PART NUMBER	DIM.U	DIM.V


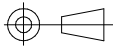
X.±	X.*±	UNITS mm	NAME(INTENDED USE) 0.8mm Pitch Mini Edge Card Connector	 FOXCONN INTERCONNECT TECHNOLOGY LIMITED.
.X±0.15	.X*±	MAT'L N/A	PART NO.(INTENDED USE) 2EM5***-B19BL-**	
.XX±0.10	.XX*±	FINISH N/A	APPD: Davy Bu 01/24'18	CLASS: <input type="checkbox"/> CONFIDENTIAL <input type="checkbox"/> SECRET <input checked="" type="checkbox"/> GENERAL
.XXX±	.XXX*±	Q'TY N/A	CHKD: Johnny Tang 01/24'18	TITLE: CUSTOMER DRAWING
<small>THESE DRAWINGS AND SPECIFICATIONS ARE THE PROPERTY OF FOXCONN INTERCONNECT TECHNOLOGY LIMITED.AND SHALL NOT BE REPRODUCED, COPIED OR USED IN ANY MANNER WITHOUT THE PRIOR WRITTEN CONSENT OF FOXCONN INTERCONNECT TECHNOLOGY LIMITED.</small>			DRAW: Leon Hu 01/24'18	DWG NO.: 303-0000-3356
				

REV.	ECN. NO.	APPD.

NOTES: SEE SHEET 1/6

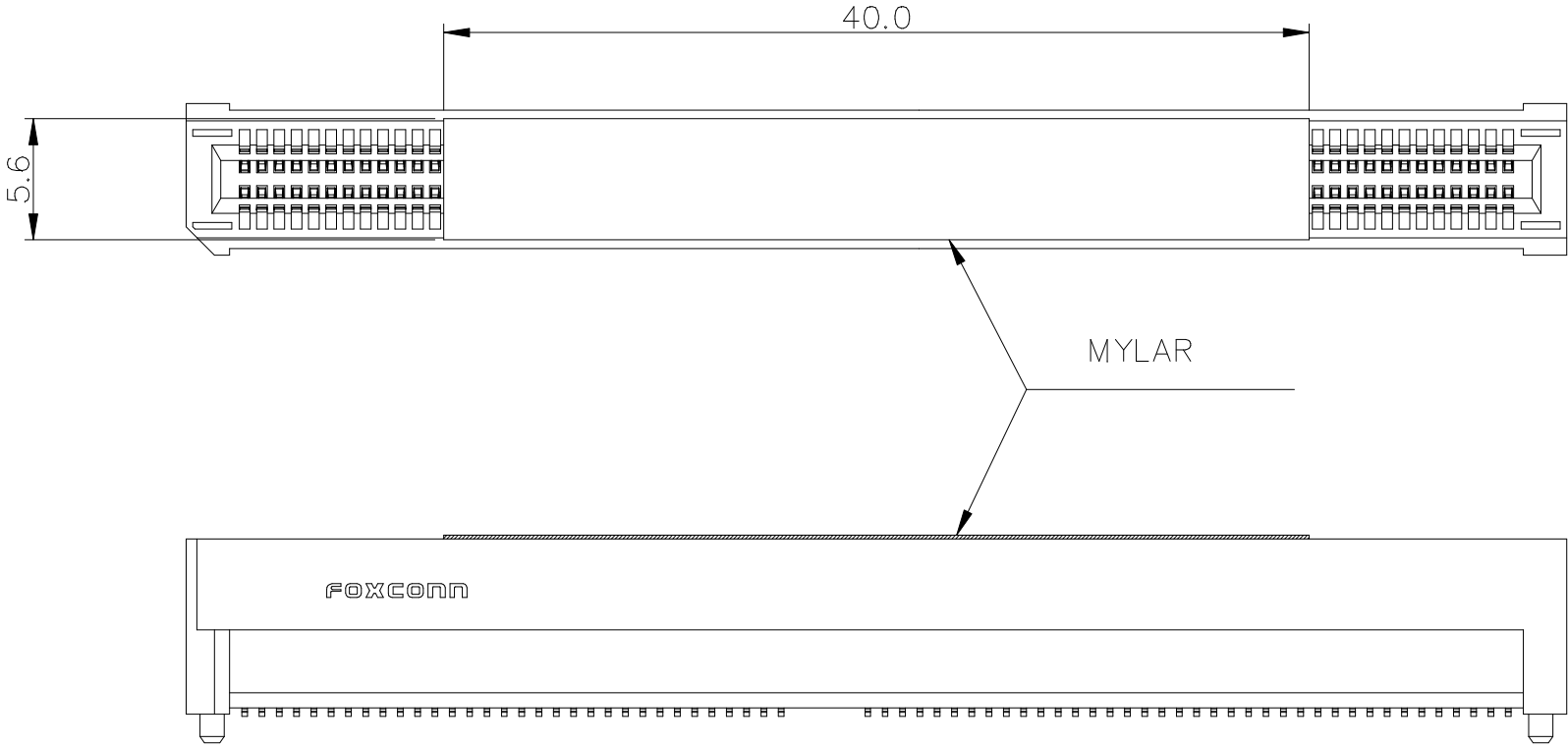


2EM570*-B19BL-**-
2EM560*-B19BL-**-
2EM550*-B19BL-**-
2EM540*-B19BL-**-
2EM530*-B19BL-**-
2EM520*-B19BL-**-
2EM510*-B19BL-**-
PART NUMBER

X.±	X.*±	UNITS mm	NAME(INTENDED USE) 0.8mm Pitch SMT Mini Edge Card Connector	 FOXCONN INTERCONNECT TECHNOLOGY LIMITED.						
.X± 0.38	.X*±	MAT'L N/A	PART NO.(INTENDED USE) 2EM5***-B19BL-**-		CLASS: <input type="checkbox"/> CONFIDENTIAL <input type="checkbox"/> SECRET <input checked="" type="checkbox"/> GENERAL					
.XX± 0.25	.XX*±	FINISH N/A	APPD: Davy Bu 01/24'18	TITLE: CUSTOMER DRAWING						
.XXX±	.XXX*±		Q'TY N/A	CHKD: Johnny Tang 01/24'18	DWG No.: 303-0000-3356					
<small>THESE DRAWINGS AND SPECIFICATIONS ARE THE PROPERTY OF FOXCONN INTERCONNECT TECHNOLOGY LIMITED.AND SHALL NOT BE REPRODUCED, COPIED OR USED IN ANY MANNER WITHOUT THE PRIOR WRITTEN CONSENT OF FOXCONN INTERCONNECT TECHNOLOGY LIMITED.</small>			DRAW: Leon Hu 01/24'18	 <table border="1"> <tr> <td>SCALE</td> <td>SHEET</td> <td>REV.</td> </tr> <tr> <td>N/A</td> <td>5/6</td> <td>AX8</td> </tr> </table>	SCALE	SHEET	REV.	N/A	5/6	AX8
			SCALE	SHEET	REV.					
N/A	5/6	AX8								

REV.	ECN. NO.	APPD.

NOTES: SEE SHEET 1/6



2EM5A0*-B19BL-**
2EM580*-B19BL-**
PART NUMBER

X.±	X.*±	UNITS mm	NAME(INTENDED USE) 0.8mm Pitch SMT Mini Edge Card Connector	 FOXCONN INTERCONNECT TECHNOLOGY LIMITED.
.X± 0.38	.X*±	MAT'L N/A	PART NO.(INTENDED USE) 2EM5***-B19BL-**	
.XX± 0.25	.XX*±	FINISH N/A	APPD: Davy Bu 01/24'18	CLASS: <input type="checkbox"/> CONFIDENTIAL <input type="checkbox"/> SECRET <input checked="" type="checkbox"/> GENERAL
.XXX±	.XXX*±		Q'TY N/A	CHKD: Johnny Tang 01/24'18
<small>THESE DRAWINGS AND SPECIFICATIONS ARE THE PROPERTY OF FOXCONN INTERCONNECT TECHNOLOGY LIMITED, AND SHALL NOT BE REPRODUCED, COPIED OR USED IN ANY MANNER WITHOUT THE PRIOR WRITTEN CONSENT OF FOXCONN INTERCONNECT TECHNOLOGY LIMITED.</small>			DRAW: Leon Hu 01/24'18	DWG NO.: 303-0000-3356
			 	