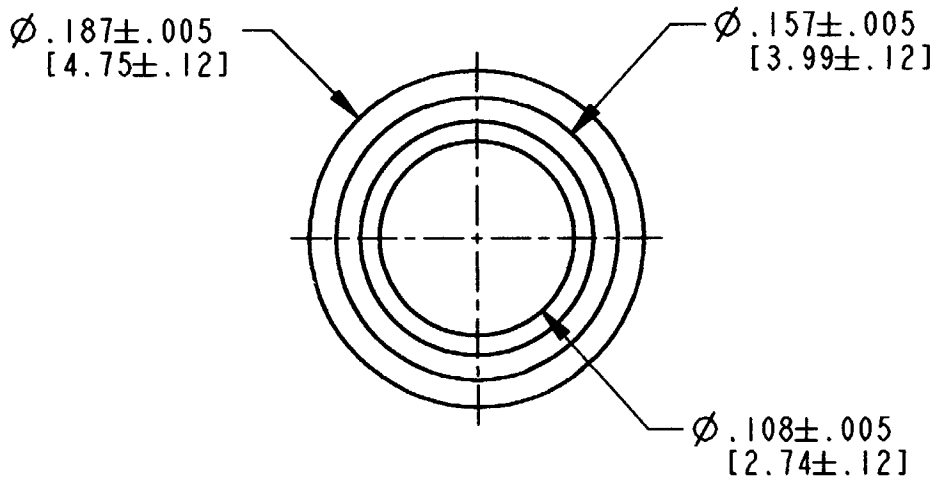
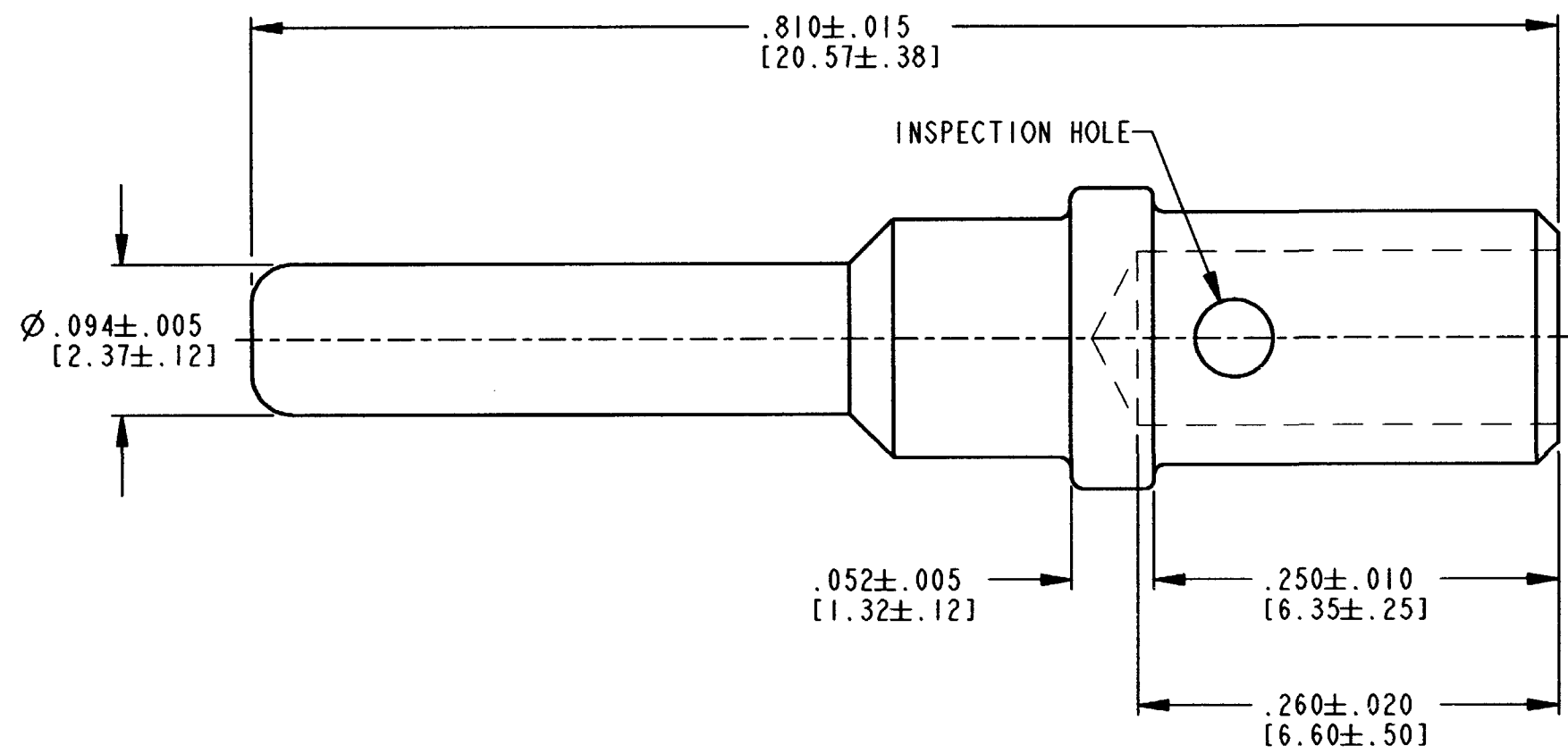


REV  
NC 0460-204-12\*\*

REVISIONS			
SYM	DESCRIPTION	DATE	APPROVED
NC	NEW RELEASE PER E.O. P18855	3-14-05	RDR



- NOTES:
1. DIMENSIONS ARE IN INCHES [mm].
  2. WHEN \*\* = 141: PLATING IS NICKEL.
  3. FOR CRIMPING INFORMATION SEE DRAWING 0425-205-0000.
  4. FOR CONTACT PERFORMANCE AND APPLICATION CHARACTERISTICS SEE DRAWING 0425-015-0000.

SIGNATURE & DATE	
DR	J. APOSTOL 08MAR2005
CHK	R. B. [Signature] 3/14/05
PE	D. Meyer 3/8/05
APPD	R. Reed 3-14-05
SCALE	NONE
WT	

CONTACT PIN  
SIZE 12

ENVELOPE

CP	MATL CODE
<b>The Deutch Company</b> DEUTSCH I.P.D. 3850 INDUSTRIAL AVE. HEMET, CALIF. 92545	
<b>B</b> 0460-204-12**	
DWG SIZE 11139	SHEET   OF