

- 1
- 2
- 3
- 4
- 5
- 6
- 7
- 8
- 9
- 10
- 11
- 12
- 13
- 14
- 15
- 16
- 17
- 18

MATERIAL

High-resilience polypropylene based (PP) technopolymer, black colour, matte finish.

BOSS CAP

- Anodised aluminium self-adhesive front plate.
- VRTP.375: cap in polyester based technopolymer (PBT), RAL 7035 grey colour, glossy finish, press-fit assembly.

STANDARD EXECUTIONS

- Black-oxide steel boss, H7 reamed hole.
- **VRTP.**: without handle.
 - **VRTP+I**: with revolving handle I.621+x (see page 406) in technopolymer.
 - **VRTP+IEL**: with revolving handle IEL+x SOFT (see page 377) in technopolymer coated with "Soft touch" thermoplastic elastomer (TPE).
 - **VRTP+IR**: with fold-away handle IR.620 (see page 414) in technopolymer.
 - **K**: index for executions with hole and keyway in compliance with DIN 6885/1 (see page A-16), tolerance P9 i.e.:
78411-R-K VRTP.80 A-8-K

ACCESSORIES ON REQUEST

- GN 184: axial retaining washer in black-oxide steel (see page 897).
- ECB.T: glass-fibre reinforced polyamide based (PA) technopolymer boss cap, in Elecolors colours, matte finish, press-fit assembly, available for VRTP.125, VRTP.160 and VRTP.200 (see table).



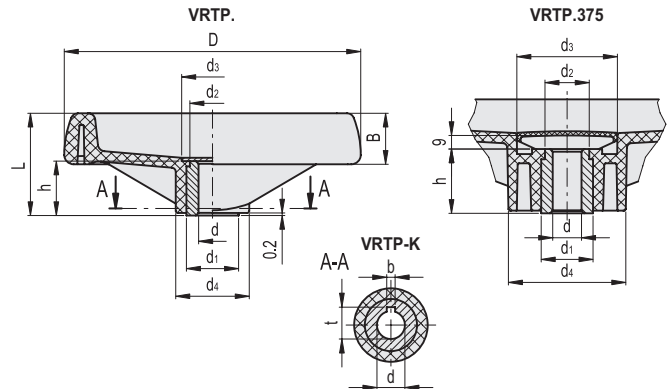
ELESA Original design

C1
C2
C3
C4
C5
C6
C17
 RAL7021 RAL2004 RAL7035 RAL1021 RAL5024 RAL3000 RAL6017

ECB.T

Code	Description	Boss cap for
29552-*	ECB.T2-*	VRTP.125
29553-*	ECB.T3-*	VRTP.160
29554-*	ECB.T4-*	VRTP.200

* Complete with colour index (C1, ..., C6).

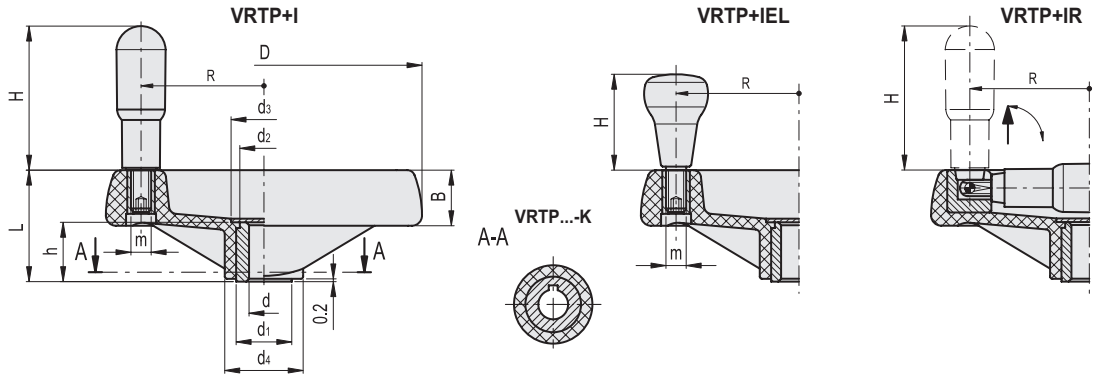


VRTP.

Code	Description	D	dh7	L	B	d1	d2	d3	d4	h	C# [Nm]	L# [J]	⚖️
78411-R	VRTP.80-A8	80	8	35	18	18	16	20.5	25	17	32	5	74
78412-R	VRTP.80-A10	80	10	35	18	18	16	20.5	25	17	32	5	70
78510-R	VRTP.100-A8	99	8	37	20	18	16	20.5	25.5	17	54	7	105
78511-R	VRTP.100-A10	99	10	37	20	18	16	20.5	25.5	17	54	7	100
78512-R	VRTP.100-A12	99	12	37	20	18	16	20.5	25.5	17	54	7	95
78610-R	VRTP.125-A8	125	8	44	22	22	20	26	31	22	94	10	165
78611-R	VRTP.125-A12	125	12	44	22	22	20	26	31	22	94	10	160
78612-R	VRTP.125-A14	125	14	44	22	22	20	26	31	22	94	10	155
78710-R	VRTP.160-A8	160	8	51	25	26	24	32	40	27	185	15	282
78711-R	VRTP.160-A14	160	14	51	25	26	24	32	40	27	185	15	275
78712-R	VRTP.160-A16	160	16	51	25	26	24	32	40	27	185	15	263
78810-R	VRTP.200-A8	200	8	61	28	30	28	36	48.5	34	300	24	490
78811-R	VRTP.200-A16	200	16	61	28	30	28	36	48.5	34	300	24	460
78813-R	VRTP.200-A20	200	20	61	28	30	28	36	48.5	34	300	24	430
78911-R	VRTP.250-A20	250	20	69	32	35	33	45	58	38	420	28	730
78913-R	VRTP.250-A24	250	24	69	32	35	33	45	58	38	420	28	710
78948-R	VRTP.300-A20	300	20	78	35.5	40	37	52	66	43	480	36	940
78951-R	VRTP.300-A26	300	26	78	35.5	40	37	52	66	43	480	36	970
79011-R	VRTP.375-A26	375	26	87	39	35	33	70	81	43	380	55	1350

* To order the execution with hole and keyway add the index -K after the code and description (i.e. 78411-R-K VRTP.80 A-8-K).

For maximum torque (C) and impact strength (L) see Technical data on page A-3.



VRTP+I

Code	Description	D	dH7	L	B	d1	d2	d3	d4	h	H	m	R	C# [Nm]	L# [J]	
78421-R	VRTP.80+I-A8	80	8	35	18	18	16	20.5	25	17	45	M6	29	32	5	104
78422-R	VRTP.80+I-A10	80	10	35	18	18	16	20.5	25	17	45	M6	29	32	5	100
78520-R	VRTP.100+I-A8	99	8	37	20	18	16	20.5	25.5	17	60	M6	37	54	7	150
78521-R	VRTP.100+I-A10	99	10	37	20	18	16	20.5	25.5	17	60	M6	37	54	7	145
78522-R	VRTP.100+I-A12	99	12	37	20	18	16	20.5	25.5	17	60	M6	37	54	7	140
78620-R	VRTP.125+I-A8	125	8	44	22	22	20	26	31	22	65	M8	48	94	10	250
78621-R	VRTP.125+I-A12	125	12	44	22	22	20	26	31	22	65	M8	48	94	10	245
78622-R	VRTP.125+I-A14	125	14	44	22	22	20	26	31	22	65	M8	48	94	10	240
78720-R	VRTP.160+I-A8	160	8	51	25	26	24	32	40	27	73	M8	65	185	15	363
78721-R	VRTP.160+I-A14	160	14	51	25	26	24	32	40	27	73	M8	65	185	15	356
78722-R	VRTP.160+I-A16	160	16	51	25	26	24	32	40	27	73	M8	65	185	15	339
78820-R	VRTP.200+I-A8	200	8	61	28	30	28	36	48.5	34	80	M8	84	300	24	579
78821-R	VRTP.200+I-A16	200	16	61	28	30	28	36	48.5	34	80	M8	84	300	24	552
78823-R	VRTP.200+I-A20	200	20	61	28	30	28	36	48.5	34	80	M8	84	300	24	525
78921-R	VRTP.250+I-A20	250	20	69	32	35	33	45	58	38	90	M10	103	420	28	904
78923-R	VRTP.250+I-A24	250	24	69	32	35	33	45	58	38	90	M10	103	420	28	888
78958-R	VRTP.300+I-A20	300	20	78	35.5	40	37	52	66	43	90	M10	127	480	36	1050
78961-R	VRTP.300+I-A26	300	26	78	35.5	40	37	52	66	43	90	M10	123	480	36	1111
79021-R	VRTP.375+I-A26	375	26	87	39	35	33	70	81	43	90	M10	160	380	55	1240

VRTP+IEL

78926-R	VRTP.250+IEL-A20	250	20	69	32	35	33	45	58	38	65	M10	103	420	28	914
78928-R	VRTP.250+IEL-A24	250	24	69	32	35	33	45	58	38	65	M10	103	420	28	818
78964-R	VRTP.300+IEL-A20	300	20	78	35.5	40	37	52	66	43	65	M10	127	480	36	1060
78966-R	VRTP.300+IEL-A26	300	26	78	35.5	40	37	52	66	43	65	M10	127	480	36	1121
79026-R	VRTP.375+IEL-A26	375	26	87	39	35	33	70	81	43	65	M10	160	380	55	1260

VRTP+IR

Code	Description	D	dH7	L	B	d1	d2	d3	d4	h	H	R	C# [Nm]	L# [J]	
78431-R	VRTP.80+IR-A8	80	8	35	18	18	16	20.5	25	17	45	29	32	5	102
78432-R	VRTP.80+IR-A10	80	10	35	18	18	16	20.5	25	17	45	29	32	5	98
78530-R	VRTP.100+IR-A8	99	8	37	20	18	16	20.5	25.5	17	60	37	54	7	170
78531-R	VRTP.100+IR-A10	99	10	37	20	18	16	20.5	25.5	17	60	37	54	7	163
78532-R	VRTP.100+IR-A12	99	12	37	20	18	16	20.5	25.5	17	60	37	54	7	155
78630-R	VRTP.125+IR-A8	125	8	44	22	22	20	26	31	22	65	48	94	10	235
78631-R	VRTP.125+IR-A12	125	12	44	22	22	20	26	31	22	65	48	94	10	230
78632-R	VRTP.125+IR-A14	125	14	44	22	22	20	26	31	22	65	48	94	10	225
78730-R	VRTP.160+IR-A8	160	8	51	25	26	24	32	40	27	73	65	185	15	395
78731-R	VRTP.160+IR-A14	160	14	51	25	26	24	32	40	27	73	65	185	15	388
78732-R	VRTP.160+IR-A16	160	16	51	25	26	24	32	40	27	73	65	185	15	380
78830-R	VRTP.200+IR-A8	200	8	61	28	30	28	36	48.5	34	80	84	300	24	625
78831-R	VRTP.200+IR-A16	200	16	61	28	30	28	36	48.5	34	80	84	300	24	593
78833-R	VRTP.200+IR-A20	200	20	61	28	30	28	36	48.5	34	80	84	300	24	560
78931-R	VRTP.250+IR-A20	250	20	69	32	35	33	45	58	38	90	105	420	28	932
78933-R	VRTP.250+IR-A24	250	24	69	32	35	33	45	58	38	90	105	420	28	892
78968-R	VRTP.300+IR-A20	300	20	78	35.5	40	37	52	66	43	90	123	480	36	1080
78971-R	VRTP.300+IR-A26	300	26	78	35.5	40	37	52	66	43	90	123	480	36	1210
79031-R	VRTP.375+IR-A26	375	26	87	39	35	33	70	81	43	90	160	380	55	1350

* To order the execution with hole and keyway add the index -K after the code and description (i.e. 78411-R-K VRTP80 A-8-K).

For maximum torque (C) and impact strength (L) see Technical data on page A-3.

