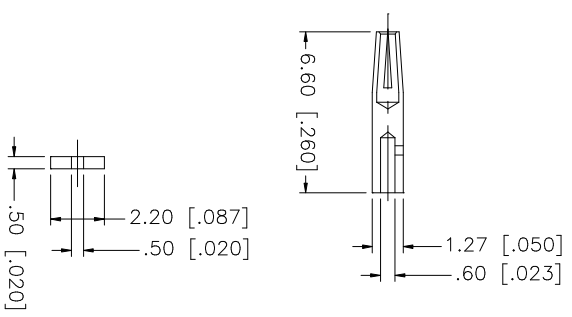
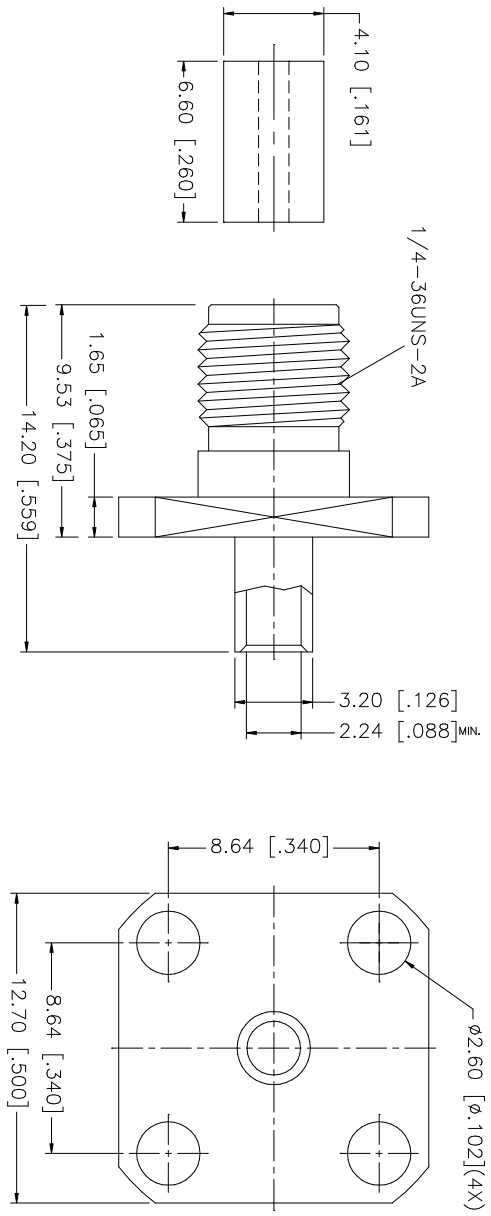
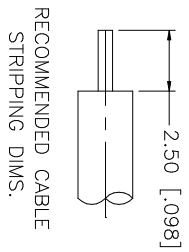


REV.	DATE	DESCRIPTION
NC	01/29/03	INITIAL RELEASE



NOTE: CONTACT PIN TO SOLDER

REV.	DATE	DESCRIPTION
8		
7		
6		
5		
4		
3		
2		
1		

DESCRIPTION	MATERIAL	FINISH	QTY
INSULATOR	TEFLON	NATURAL	1
CONTACT PIN	BER. COPPER	GOLD	1
INSULATOR	TEFLON	NATURAL	1
BODY	BRASS	GOLD	1

APPROVALS	DATE
DRAWN G.R.S.	01/29/03
CHECKED	
ISSUED	
SHEET 1 OF 1	

UNLESS OTHERWISE SPECIFIED DIMENSIONS ARE IN MILLIMETERS. DIMENSIONS IN [] ARE IN INCHES AND FOR CUSTOMER REFERENCE ONLY.
UNLESS OTHERWISE SPECIFIED TOLERANCES FOR MILLIMETERS ARE: 0.5 - 8mm ± 0.20mm 8 - 30mm ± 0.40mm 30 - 120mm ± 0.50mm
UNLESS OTHERWISE SPECIFIED TOLERANCES FOR INCHES ARE: .020 - .315 = ± 0.007" .315 - 1.180 = ± 0.015" 1.180 - 4.724 = ± 0.020"
DO NOT SCALE DRAWING

CAD FILE	DWG. NO.	REV.	NC	SIZE	SCALE
C:/132/132107.DWG	132107.DWG			A	NA

Amphenol Connex

SMA SEMI-RIGID PANEL JACK
(FOR .085", .086" CABLE)

PART NO. 132107