

NOTES

- 1 SIZE OF LETTERS 0.7 AND CLEAR.
- 2 SIZE OF LETTERS 1 AND CLEAR
- 3. APPLICABLE TERM. : 59370,56134 SERIES.
- 4. MATE WITH : 55932,55935 SERIES.
- 5 APPLY EVEN CIRCUIT
- 6. MATERIAL : 66NYLON, UL94V-0
- 7. MATERIAL NO.

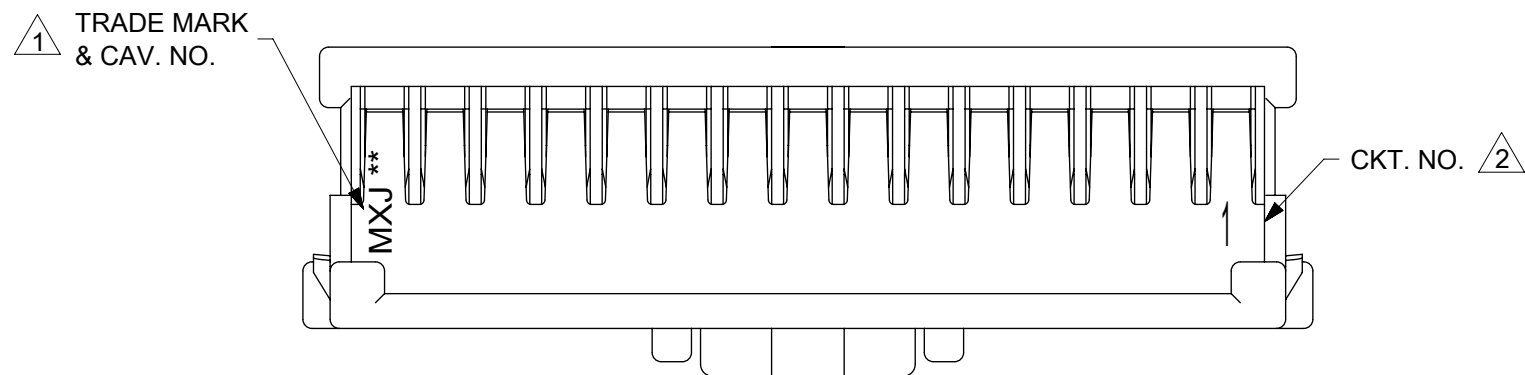
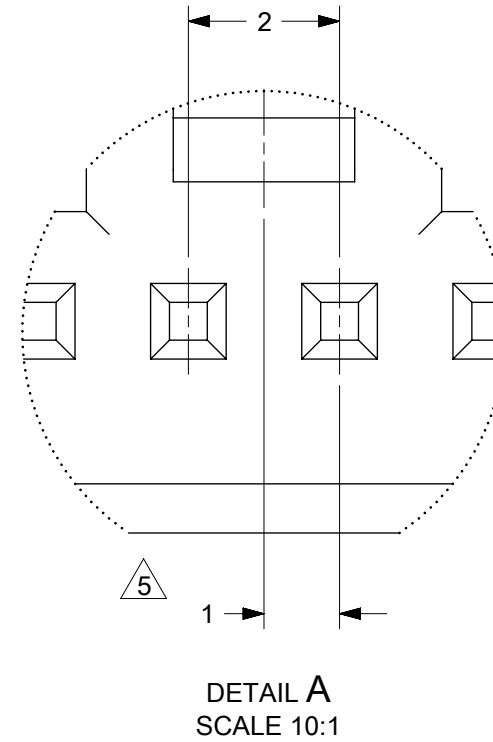
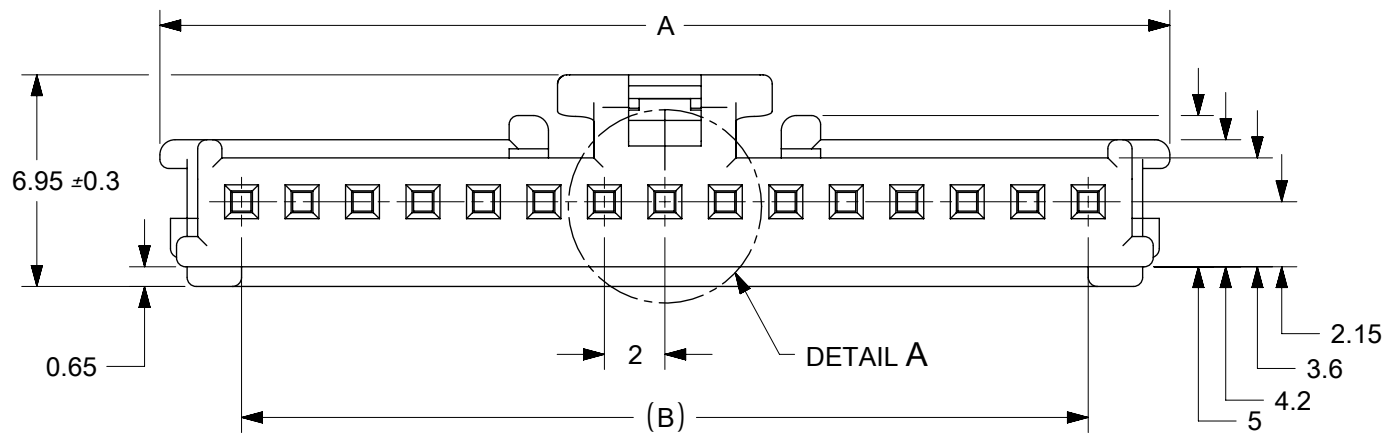
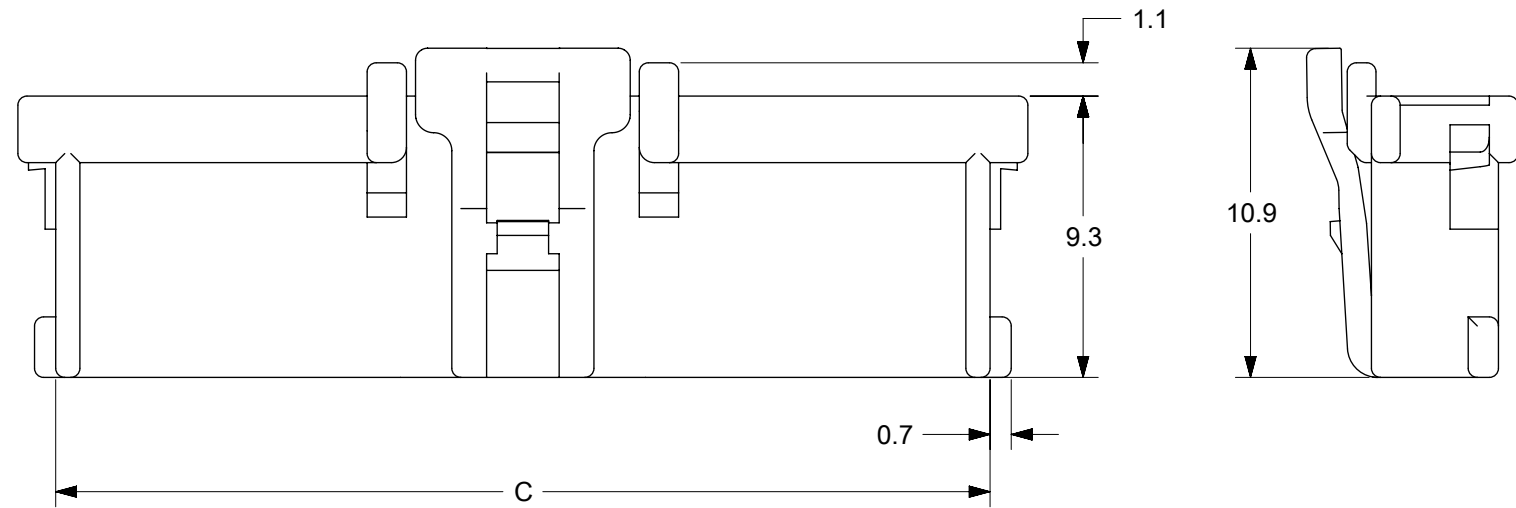
5138- X X X X

CKT COLOR

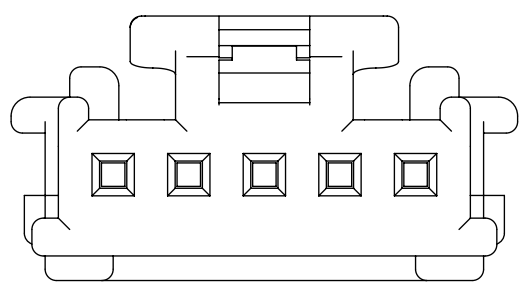
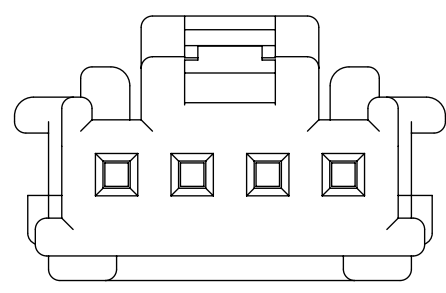
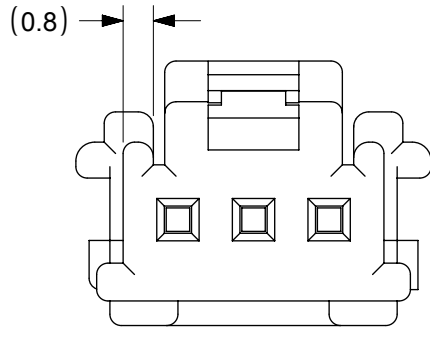
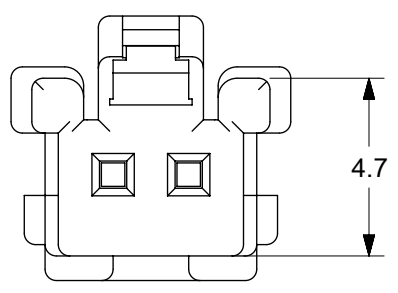
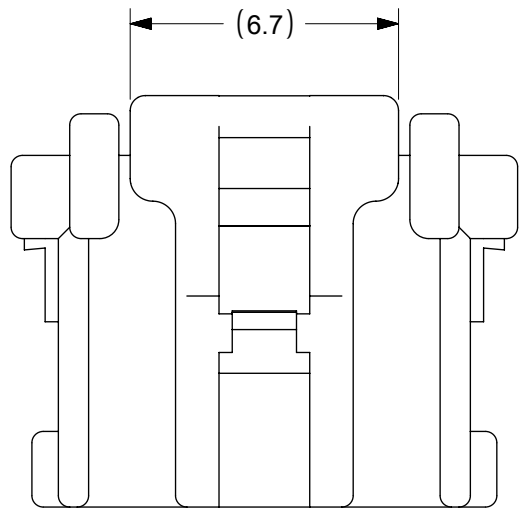
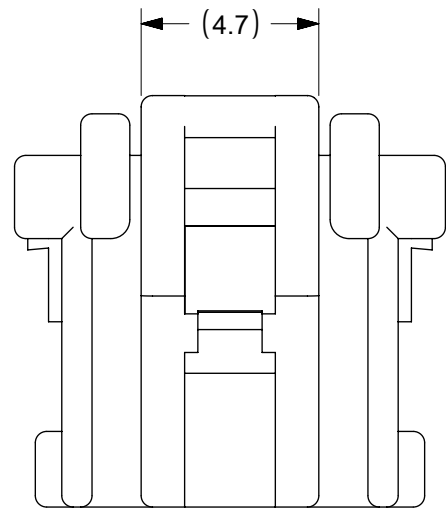
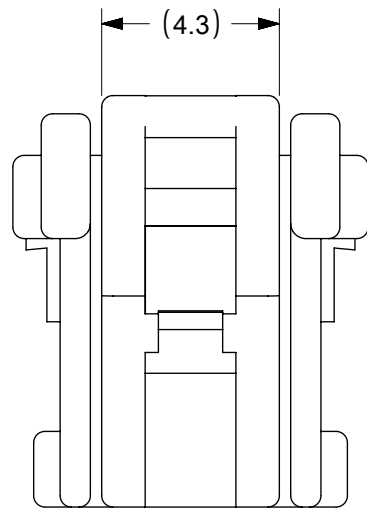
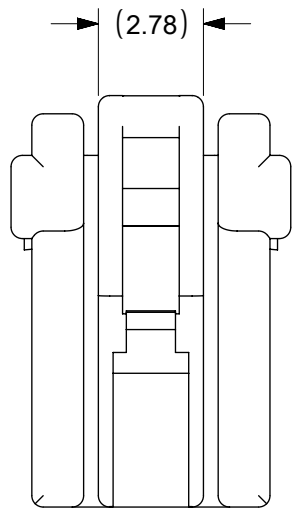
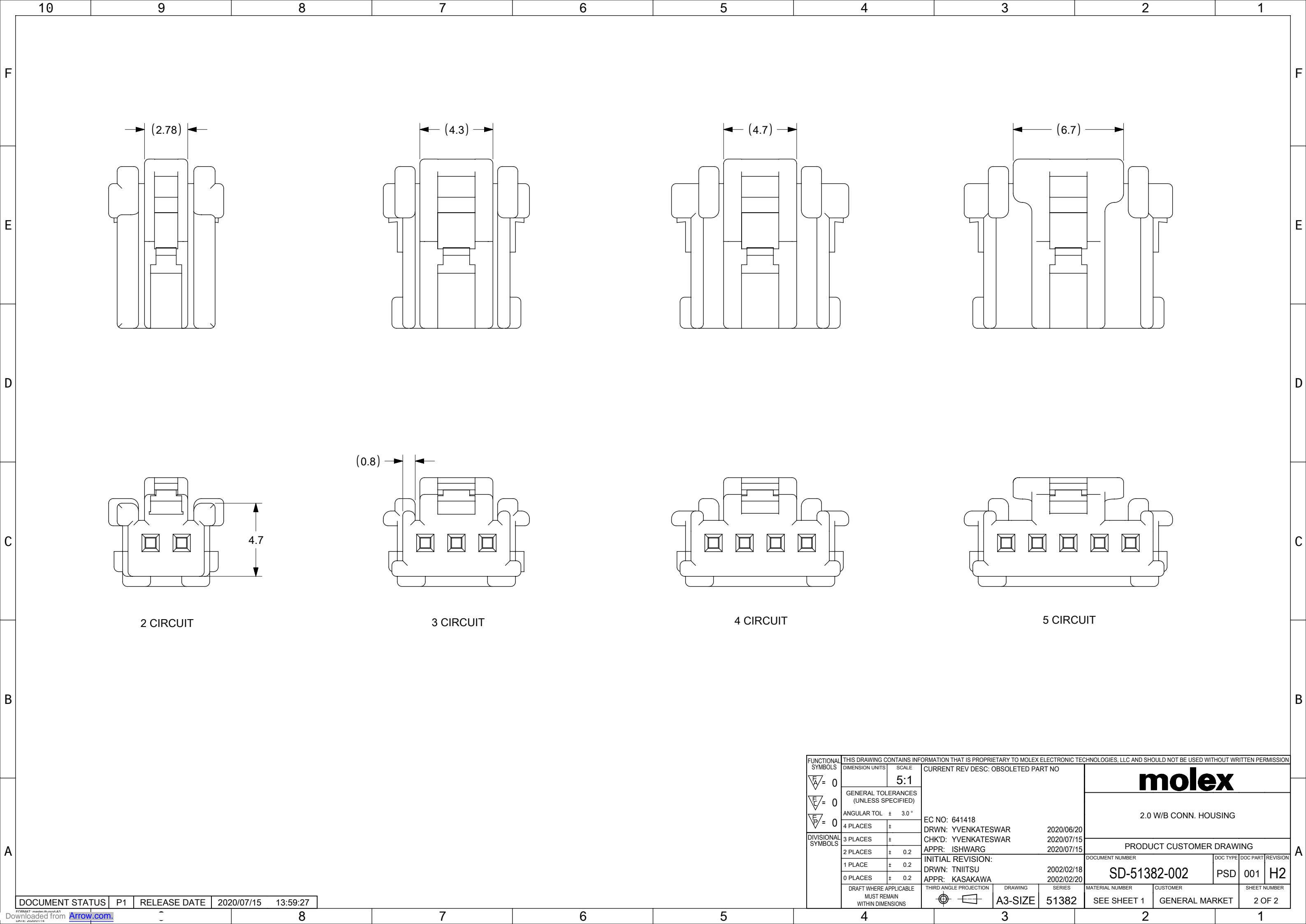
NATURAL (WHITE)	00
BLACK	01
RED	02
YELLOW	03
BLUE	04
PINK	05
GREEN	06
BROWN	07
ORANGE	08
VIOLET	09
GRAY	11
FLUORESCENCE YELLOW	13
PALE BLUE	14
YELLOWISH GREEN VO	16

(H2)

CKT	MATERIAL NO.	A	B	C
2	51382-02XX	7.4	2	4.6
3	51382-03XX	9.4	4	6.9
4	51382-04XX	11.4	6	8.9
5	51382-05XX	13.4	8	10.9
6	51382-06XX	15.4	10	12.9
7	51382-07XX	17.4	12	14.9
8	51382-08XX	19.4	14	16.9
9	51382-09XX	21.4	16	18.9
10	51382-10XX	23.4	18	20.9
11	51382-11XX	25.4	20	22.9
12	51382-12XX	27.4	22	24.9
13	51382-13XX	29.4	24	26.9
14	51382-14XX	31.4	26	28.9
15	51382-15XX	33.4	28	30.9



FUNCTIONAL SYMBOLS	THIS DRAWING CONTAINS INFORMATION THAT IS PROPRIETARY TO MOLEX ELECTRONIC TECHNOLOGIES, LLC AND SHOULD NOT BE USED WITHOUT WRITTEN PERMISSION	CURRENT REV DESC: OBSOLETE PART NO																		
	<table border="1"> <tr><td>SCALE</td><td>4:1</td></tr> <tr><td>GENERAL TOLERANCES (UNLESS SPECIFIED)</td><td></td></tr> <tr><td>ANGULAR TOL</td><td>± 3.0°</td></tr> <tr><td>4 PLACES</td><td>±</td></tr> <tr><td>3 PLACES</td><td>±</td></tr> <tr><td>2 PLACES</td><td>± 0.2</td></tr> <tr><td>1 PLACE</td><td>± 0.2</td></tr> <tr><td>0 PLACES</td><td>± 0.2</td></tr> </table>	SCALE	4:1			GENERAL TOLERANCES (UNLESS SPECIFIED)		ANGULAR TOL	± 3.0°	4 PLACES	±	3 PLACES	±	2 PLACES	± 0.2	1 PLACE	± 0.2	0 PLACES	± 0.2	EC NO: 641418 DRWN: YVENKATESWAR 2020/06/20 CHK'D: YVENKATESWAR 2020/07/15 APPR: ISHWARG 2020/07/15
SCALE	4:1																			
GENERAL TOLERANCES (UNLESS SPECIFIED)																				
ANGULAR TOL	± 3.0°																			
4 PLACES	±																			
3 PLACES	±																			
2 PLACES	± 0.2																			
1 PLACE	± 0.2																			
0 PLACES	± 0.2																			
DIVISIONAL SYMBOLS	DRAFT WHERE APPLICABLE MUST REMAIN WITHIN DIMENSIONS	THIRD ANGLE PROJECTION	DRAWING A3-SIZE	SERIES 51382	MATERIAL NUMBER SEE TABLE	CUSTOMER GENERAL MARKET	DOCUMENT NUMBER SD-51382-002	DOC TYPE PSD	DOC PART 001	REVISION H2	SHEET NUMBER 1 OF 2									



2 CIRCUIT

3 CIRCUIT

4 CIRCUIT

5 CIRCUIT

FUNCTIONAL SYMBOLS	THIS DRAWING CONTAINS INFORMATION THAT IS PROPRIETARY TO MOLEX ELECTRONIC TECHNOLOGIES, LLC AND SHOULD NOT BE USED WITHOUT WRITTEN PERMISSION		CURRENT REV DESC: OBSOLETE PART NO		molex
	DIMENSION UNITS	SCALE			
$\nabla_A = 0$		5:1			2.0 W/B CONN. HOUSING
$\nabla_B = 0$	GENERAL TOLERANCES (UNLESS SPECIFIED)				
$\nabla_C = 0$	ANGULAR TOL $\pm 3.0^\circ$				PRODUCT CUSTOMER DRAWING
DIVISIONAL SYMBOLS	4 PLACES \pm		EC NO: 641418	2020/06/20	
	3 PLACES \pm		DRWN: YVENKATESWAR	2020/07/15	
	2 PLACES ± 0.2		CHK'D: YVENKATESWAR	2020/07/15	
	1 PLACE ± 0.2		APPR: ISHWARG		
	0 PLACES ± 0.2		INITIAL REVISION:		
	DRAFT WHERE APPLICABLE MUST REMAIN WITHIN DIMENSIONS		DRWN: TNIITSU	2002/02/18	
	THIRD ANGLE PROJECTION		APPR: KASAKAWA	2002/02/20	
	DRAWING	SERIES	MATERIAL NUMBER	CUSTOMER	DOCUMENT NUMBER
	A3-SIZE	51382	SEE SHEET 1	GENERAL MARKET	SD-51382-002
					DOC TYPE DOC PART REVISION
					PSD 001 H2
					SHEET NUMBER
					2 OF 2