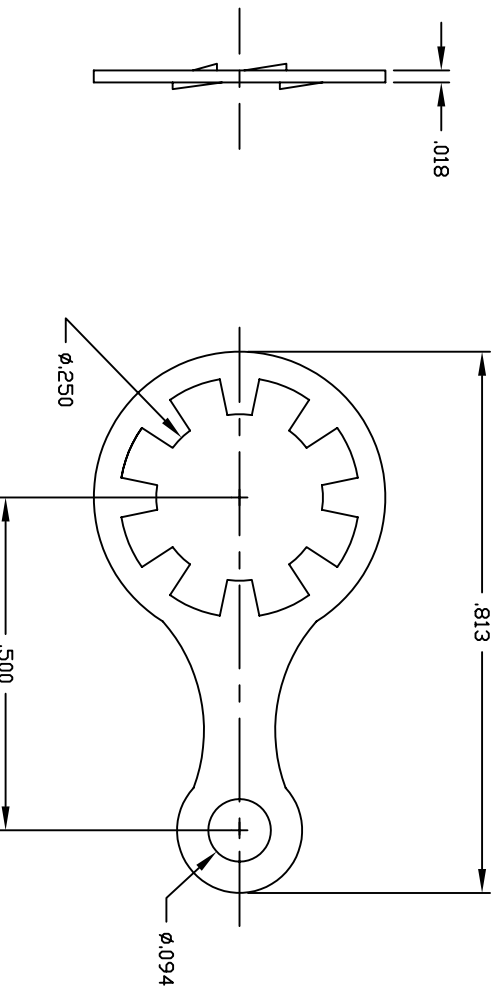


REVISIONS	
SYM	DESCRIPTION
REVISED BY	DATE
APPR	



MATERIAL BRASS 260 1/2 HARD		FINISH	ELECTRO TIN
DIMENSIONAL TOLERANCES		TITLE	
UNLESS OTHERWISE SPECIFIED		1410-14	
.XX	.XXX	SOLDER	
---	---	LUG	
FRACTIONS	ANGLES	SCALE	5X
---	---	SCALE	5X
HEAT TREAT	---	DRAWN	T. LORD
PLDT SCALE: 1=1	---	CHECKED	T. LORD
	---	APPROVED	T. LORD
	---	DATE	1/13/09
	---	DATE	1/13/09
	---	SIZE	B
	---	DRAWING NUMBER	SD: 1410-14
	---	ISSUE	---

ABBATRON
 Electronic Connectors and Hardware
 13680 S. MOSIERTOWN RD
 MEADVILLE, PA 16335