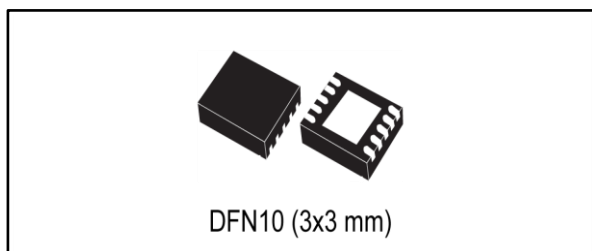


## 1 A, high efficiency single inductor dual mode buck-boost DC-DC converter

Datasheet - production data



### Description

The STBB1-AXX is a fixed frequency, high efficiency, buck-boost DC-DC converter able to provide output voltages ranging from 1.2 V to 5.5 V and input voltages from 2.0 V to 5.5 V. The device can operate with input voltages higher than, equal to, or lower than the output voltage making the product suitable for single lithium-Ion, multicell alkaline or NiMH applications where the output voltage is within the battery voltage range.

The integrated low- $R_{DS(on)}$  N-channel and P-channel MOSFET switches contribute to its high efficiency. The mode pin allows the selection between auto mode and forced PWM mode thus taking benefit either of lower power consumption or better dynamic performance. The device also includes soft-start control, thermal shutdown and current limit. The STBB1-AXX is packaged in DFN10 (3x3 mm).

### Features

- Buck-boost DC-DC converter
- Operating input voltage range from 2.0 V to 5.5 V
- 2% DC feedback voltage tolerance
- Synchronous rectification
- Shutdown function
- 1.5 MHz switching frequency
- Power save mode at light load
- Typical efficiency: > 94%
- 1 A output current capability
- Shutdown current < 1  $\mu$ A
- Available in DFN10 (3x3 mm)

### Applications

- Single cell Li-Ion and 3 cells alkaline, Ni-MH powered devices
- SD/MMC memory card supply
- Palmtop computers
- Cell phones
- Digital cameras

Table 1: Device summary

Order code	Package	Packing
STBB1-APUR	DFN10 (3x3 mm)	Tape and reel

---

## Contents

<b>1</b>	<b>Block diagram.....</b>	<b>5</b>
<b>2</b>	<b>Absolute maximum ratings.....</b>	<b>6</b>
<b>3</b>	<b>Pin configuration .....</b>	<b>7</b>
<b>4</b>	<b>Typical application .....</b>	<b>8</b>
<b>5</b>	<b>Electrical characteristics .....</b>	<b>9</b>
<b>6</b>	<b>Detailed description .....</b>	<b>11</b>
	6.1    General description .....	11
	6.2    Dual mode operation.....	11
	6.3    External synchronization .....	12
	6.4    Enable pin .....	12
	6.5    Protection features .....	12
	6.5.1    Soft-start and short-circuit .....	12
	6.5.2    Undervoltage lockout.....	12
	6.5.3    Overtemperature protection .....	12
<b>7</b>	<b>Typical performance characteristics .....</b>	<b>13</b>
<b>8</b>	<b>Application information .....</b>	<b>16</b>
	8.1    Programming the output voltage .....	16
	8.2    Inductor selection .....	16
	8.3    Input and output capacitor selection.....	17
<b>9</b>	<b>Recommended PCB layout.....</b>	<b>18</b>
<b>10</b>	<b>Package mechanical data .....</b>	<b>20</b>
	10.1    DFN10 (3X3 mm) mechanical data .....	20
<b>11</b>	<b>Revision history .....</b>	<b>23</b>

---

## List of tables

Table 1: Device summary .....	1
Table 2: Absolute maximum ratings .....	6
Table 3: Thermal data.....	6
Table 4: Pin description .....	7
Table 5: List of external components.....	8
Table 6: Electrical characteristics .....	9
Table 7: DFN10 (3x3 mm) mechanical data .....	21
Table 8: Document revision history .....	23

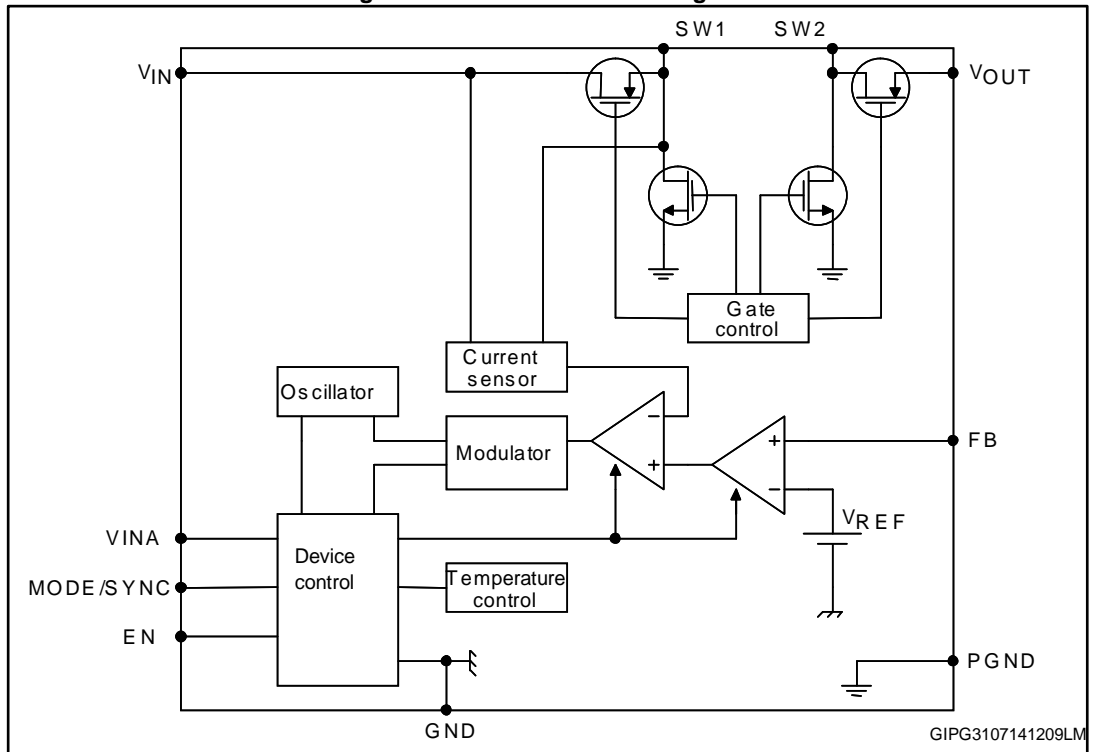
---

## List of figures

Figure 1: STBB1-AXX block diagram .....	5
Figure 2: Pin connection (top view) .....	7
Figure 3: Application circuit (adjustable output version) .....	8
Figure 4: Efficiency vs. IOUT in auto mode .....	13
Figure 5: Efficiency vs. IOUT in PWM mode .....	13
Figure 6: Efficiency vs. VIN, IOUT = 500 mA .....	13
Figure 7: PS to PWM transition .....	13
Figure 8: Max. IOUT vs. VIN.....	14
Figure 9: Boost region operation .....	14
Figure 10: Boost region operation IO=200 mA .....	14
Figure 11: Buck-boost region operation.....	14
Figure 12: Buck-boost region operation @ IO=500 mA .....	14
Figure 13: Buck-boost region operation @ IO=50 mA .....	14
Figure 14: Buck region operation (skipping mode).....	15
Figure 15: Buck region operation (PWM mode) .....	15
Figure 16: Component placement .....	18
Figure 17: Top layer routing.....	18
Figure 18: Bottom layer routing .....	19
Figure 19: DFN10 (3X3 mm) drawings .....	20
Figure 20: DFN10 (3X3 mm) recommended footprint .....	22

# 1 Block diagram

Figure 1: STBB1-AXX block diagram



## 2 Absolute maximum ratings

Table 2: Absolute maximum ratings

Symbol	Parameter	Value	Unit
VINA, VIN	Input voltage	-0.3 to 7	V
VOUT	Output voltage	-0.3 to 7	V
SW1, SW	DC voltage	-0.3 to 7	V
FB	DC voltage	-0.3 to 1.5	V
MOD/SYNC, EN	DC voltage	-0.3 to 7	V
T <sub>J</sub>	Maximum junction temperature	150	°C
T <sub>STG</sub>	Storage temperature range	-65 to +150	°C
T <sub>JOP</sub>	Operating junction temperature range	-40 to +85	°C
ESD	Human body model	2	kV



Absolute maximum ratings are those values beyond which damage to the device may occur. Functional operation under these conditions is not implied.

Table 3: Thermal data

Symbol	Parameter	Value	Unit
R <sub>THJC</sub>	Thermal resistance junction-case	2.96	°C/W
R <sub>THJA</sub>	Thermal resistance junction-ambient	30.9	°C/W

### 3 Pin configuration

Figure 2: Pin connection (top view)

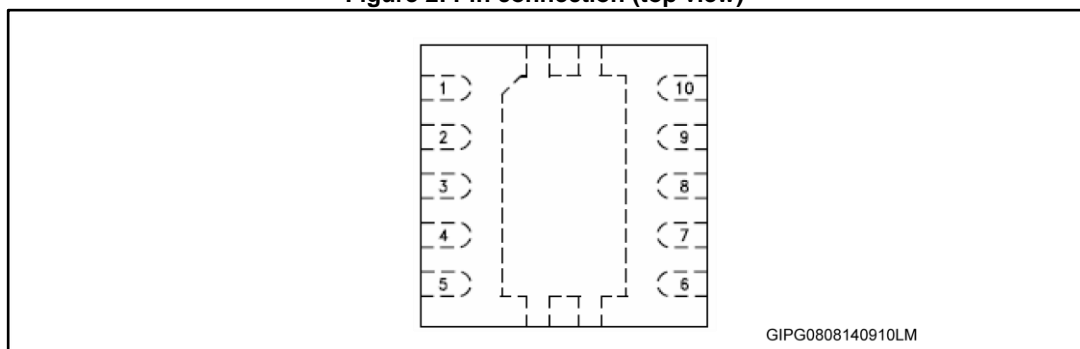


Table 4: Pin description

Pin	Symbol	Name and function
1	VOUT	Output voltage
2	SW2	Switch pin. Internal switches are connected to this pin. Connect inductor between SW1 to SW2
3	PGND	Power ground
4	SW1	Switch pin. Internal switches are connected to this pin. Connect inductor between SW1 and SW2
5	VIN	Power input voltage. Connect a ceramic bypass capacitor (10 $\mu$ F minimum) between this pin and PGND
6	EN	Enable pin. Connect this pin to GND or a voltage lower than 0.4 V to shut down the IC. A voltage higher than 1.2 V is required to enable the IC
7	MODE (SYNC)	Operation mode selection. If MODE pin is low, the STBB1-AXX automatically switches between pulse skipping and fixed frequency PWM according to the load level. If MODE pin is pulled high, the STBB1-AXX works in PWM mode. When a square waveform is applied, this pin provides the clock signal for oscillator synchronization
8	VINA	Supply voltage for control stage
9	GND	Signal ground
10	FB	Feedback voltage
	Exposed pad	Power ground

## 4 Typical application

Figure 3: Application circuit (adjustable output version)

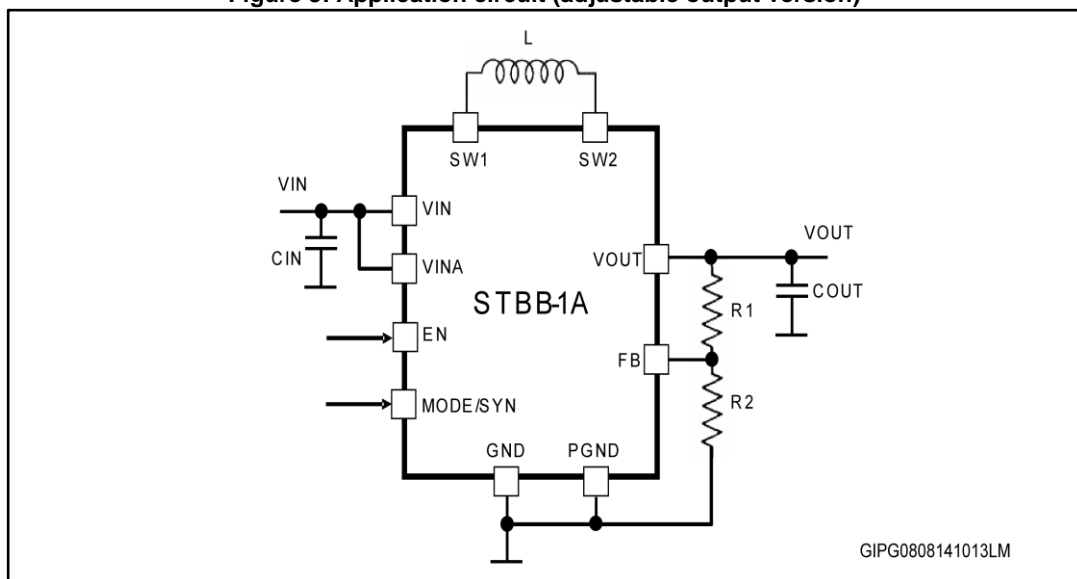


Table 5: List of external components

Component	Manufacturer	Part number	Value	Size
CIN	Murata	GRM21BR71A106KE51 L	10 $\mu$ F	0805
COUT	Murata	GRM21BR60J226ME39 L	22 $\mu$ F	0805
L	TDK	VLCF4020T-2R2N1R7	2.2 $\mu$ H	4x4x2
	Coilcraft	XFL4020-222ME		4x4x2
R1 <sup>(1)</sup>		560 k $\Omega$ ( $V_O = 3.3$ V)	See below note	0402
R2 <sup>(1)</sup>		100 k $\Omega$		0402

**Notes:**

<sup>(1)</sup>R1 and R2 are calculated according to the following formula:  $R1 = R2 \times (V_{OUT}/V_{FB} - 1)$ . Suggested value for R2 is 100 k $\Omega$ . In order to reduce the quiescent current a maximum value of 500 k $\Omega$  is possible.



The above listed components refer to a typical application. The STBB1-AXX operation is not limited to the choice of these components.



## 5 Electrical characteristics

$V_{IN} = V_{INA} = V_{EN} = 3.6\text{ V}$ ,  $C_{IN} = 10\text{ }\mu\text{F}$ ,  $C_{OUT} = 10\text{ }\mu\text{F}$ ,  $L = 2.2\text{ }\mu\text{H}$ ,  $T_J = -40\text{ to }85\text{ }^\circ\text{C}$  (unless otherwise specified; typical values are referred to  $T_A = 25\text{ }^\circ\text{C}$ ).

Table 6: Electrical characteristics

Symbol	Parameter	Test conditions	Min.	Typ.	Max.	Unit
$V_{IN}$	Input voltage range		2.0		5.5	V
$V_{UVLO}$	Undervoltage lockout threshold	VINA rising		1.70	1.80	V
		VINA falling	1.50	1.60		
$V_{FB}$	Feedback voltage		485	500	515	mV
		$T_J = 25\text{ }^\circ\text{C}$	490	500	510	mV
$V_{OUT}$	Output voltage range		1.2		5.5	V
$Z_{FB}$	FB input impedance			10		M $\Omega$
$I_Q$	No switching quiescent current ( $V_{IN}+V_{INA}$ ) (see <a href="#">Figure 3: "Application circuit (adjustable output version)"</a> , )	$FB = 0.7\text{ V}$ , $V_{MODE} = 0\text{ V}$		160	250	$\mu\text{A}$
		$FB = 0.7\text{ V}$ , $V_{MODE} = V_{IN}$		600	750	
$I_Q$	Operating quiescent current ( $V_{IN}+V_{INA}$ )	$I_{OUT} = 0\text{ A}$ , $V_{OUT} = 3.3\text{ V}$ , $V_{MODE} = 0\text{ V}$		200		$\mu\text{A}$
		$I_{OUT} = 0\text{ A}$ , $V_{OUT} = 3.3\text{ V}$ , $V_{MODE} = V_{IN}$		3.4	5.0	mA
$I_{QSHDN}$	Shutdown quiescent current	$V_{EN} = 0\text{ V}$ , $V_{IN} = 3.6\text{ V}$		0.1	1	$\mu\text{A}$
freq	Oscillator frequency	$T_A = 25\text{ }^\circ\text{C}$	1300	1500	1750	kHz
	Frequency range for synchronization		1300		2000	
$V_{EN}$	Enable input logic low	$V_{IN} = 2.2\text{ V to }5.5\text{ V}$			0.4	V
	Enable input logic high	$V_{IN} = 2.2\text{ V to }5.5\text{ V}$	1.2			
$I_{EN}$	Enable pin current	$V_{EN} = 5.5\text{ V}$		0.01	1	$\mu\text{A}$
$V_{MODE/SYNC}$	MODE/SYNC input logic low	$V_{IN} = 2.2\text{ V to }5.5\text{ V}$			0.4	V
	MODE/SYNC input logic high	$V_{IN} = 2.2\text{ V to }5.5\text{ V}$	1.2			
$I_{MODE/SYNC}$	MODE/SYNC pin current	$V_{MODE/SYNC} = 5.5\text{ V}$		0.01	1	$\mu\text{A}$
$\%V_{OUT}$	Line regulation	$2.2\text{ V} < V_{IN} < 5.5\text{ V}$ ; $I_{OUT} = 1\text{ mA}$		0.5		%
$\%V_{OUT}$	Load regulation	$10\text{ mA} < I_{OUT} < 1000\text{ mA}$		1		%
$I_{SWL}$	Switch current limitation	$V_{IN} = 3.3\text{ V}$	1.6	2.3	2.6	A

**Electrical characteristics**
**STBB1-AXX**

Symbol	Parameter	Test conditions	Min.	Typ.	Max.	Unit
$I_{LKN}$	NMOS leakage current	$V_{IN} = 5.5 \text{ V}$		0.01	1	$\mu\text{A}$
$I_{LKP}$	PMOS leakage current			0.01	1	$\mu\text{A}$
$R_{DS(on)-N}$	NMOS switch on resistance			0.13	0.35	$\Omega$
$R_{DS(on)-P}$	PMOS switch on resistance			0.13	0.35	$\Omega$
n	Efficiency, $V_{IN} = 3.6 \text{ V}$ , $V_{OUT} = 3.3 \text{ V}$	$I_{OUT} = 10 \text{ mA}; V_{MODE} = 0$		89		%
		$I_{OUT} = 10 \text{ mA}; V_{MODE} = V_{IN}$		67		
		$I_{OUT} = 100 \text{ mA}; V_{MODE} = V_{IN}$		94		
$T_{SHDN}$	Thermal shutdown			140		$^{\circ}\text{C}$
$T_{HYS}$	Thermal shutdown hysteresis			20		$^{\circ}\text{C}$

## 6 Detailed description

### 6.1 General description

The STBB1-AXX is a high efficiency dual mode buck-boost switch mode converter. Thanks to the 4 internal switches, 2 P-channel and 2 N-channel, and its unique control mechanisms the device can deliver a well-regulated output voltage using a variable input voltage which can be higher than, equal to or lower than the desired output voltage. This solves most of the power supply problems that circuit designers face when dealing with battery-powered equipment.

The controller uses an average current mode technique to obtain good stability in all possible conditions of input voltage, output voltage and output current. In addition, the peak inductor current is monitored to avoid saturation of the coil.

The STBB1-AXX can work in two different modes: PWM mode or power save mode. The former operates with a fixed oscillator frequency in all line/load conditions. This is the best condition to obtain the maximum dynamic performance. The latter operates in burst mode allowing a drastic reduction of power consumption.

Top-class line and load transients are achieved thanks to feed-forward technique and due to the innovative control method specifically designed to optimize the performance in the buck-boost region where input voltage is very close to the output voltage.

The STBB1-AXX is self-protected from short-circuit and overtemperature.

Undervoltage lockout and soft-start guarantee proper operation during the startup.

Input voltage and ground connections are split into power and signal pins. This allows reduction of internal disturbances when the 4 internal switches are being worked. The switch bridge is connected between VIN and PGND pins while all logic blocks are connected between VINA and GND.

### 6.2 Dual mode operation

The STBB1-AXX works in PWM or in power save (PS) mode according to the different operating conditions.

If MODE pin is pulled high, the device works in PWM mode only even at light or no load. In this condition the STBB1-AXX provides the best dynamic performance.

If the MODE pin is logic low, the STBB1-AXX operation changes according to the average input current handled by the device.

At low average current the STBB1-AXX enters PS mode allowing very low power consumption and thus obtaining very good efficiency at light load. When the average current increases, the device automatically switches to PWM mode to deliver the power needed by the load.

In PS mode the STBB1-AXX implements a burst mode operation. If the output voltage increases above its nominal value the device stops switching. As soon as  $V_{OUT}$  falls below the nominal value the device starts switching again with a programmed average current higher than the one needed by the load. not found in not found shows PS mode operation areas vs. output current in typical application conditions.

## 6.3 External synchronization

The STBB1-AXX implements the external synchronization pin. If an external clock signal is applied to the MODE (SYN) pin with a frequency between 1.35 MHz and 2.0 MHz and with proper low/high levels, the device automatically goes to PWM mode and the external clock is used as switching oscillator.

## 6.4 Enable pin

The device operates when EN pin is set high. If EN pin is set low the device stops switching, all the internal blocks are turned off. In this condition, the current drawn from VIN/VINA is below 1  $\mu$ A in the whole temperature range. In addition, the internal switches are in off-state so the load is electrically disconnected from the input, by avoiding unwanted current leakage from the input to the load.

## 6.5 Protection features

The STBB1-AXX implements different types of protection features.

### 6.5.1 Soft-start and short-circuit

After EN pin is pulled high, or after a suitable voltage is applied to VIN, VINA and EN, the device initiates the start-up phase. The average current limit is set to 400 mA at the beginning and gradually rises while the output voltage increase is being tracked. As soon the output voltage reaches 1.0 V the average current limit is set to its nominal value.

This method allows a current limit proportional to the output voltage. If there is a short in the V<sub>OUT</sub> pin, the output current doesn't exceed 400 mA.

This process is not handled by a timer so the device is also able to start even with large capacitive loads.

### 6.5.2 Undervoltage lockout

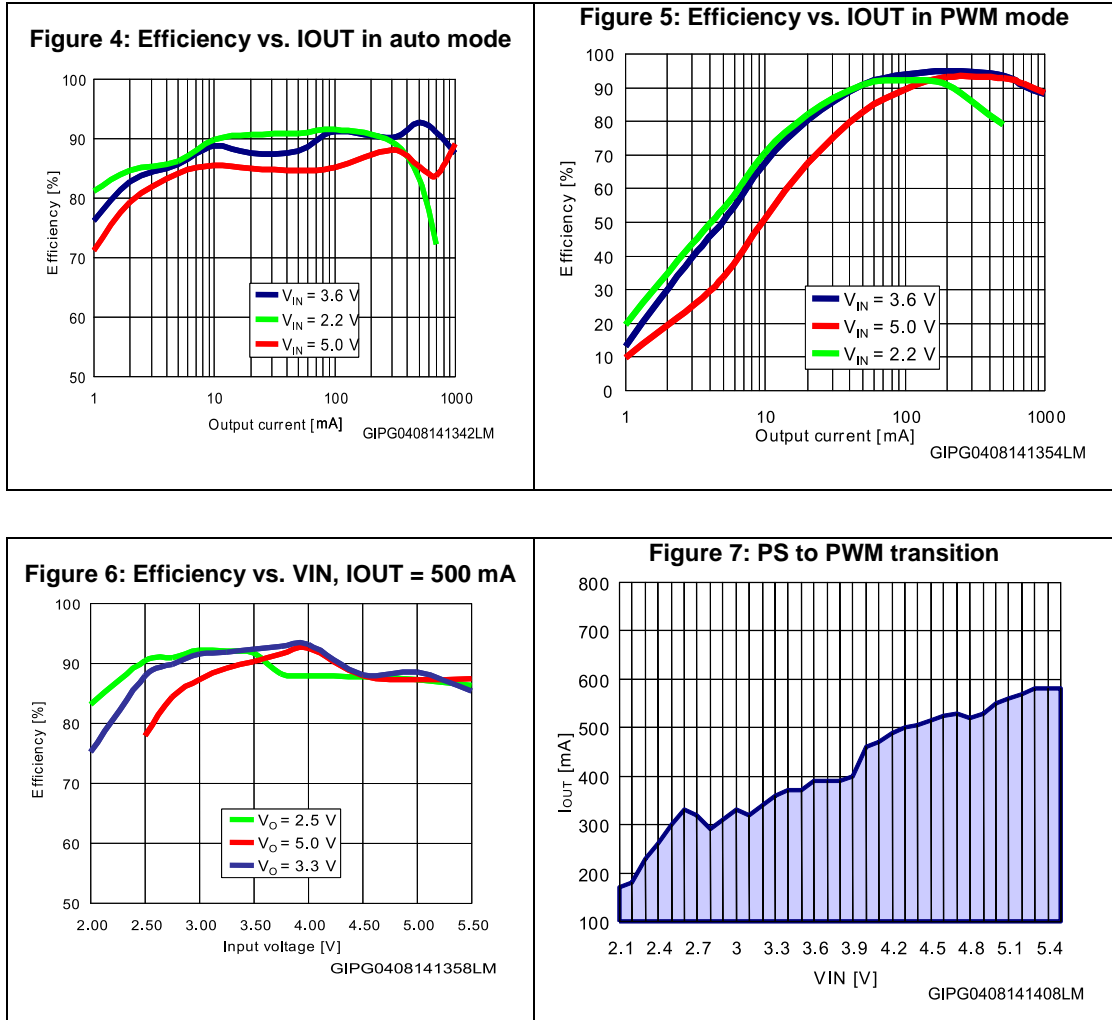
The undervoltage lockout function prevents improper operation of the STBB1-AXX when the input voltage is not high enough. When the input voltage is below VUVLO threshold the device is in shutdown mode. The hysteresis of 100 mV prevents unstable operation when the input voltage is close to UVLO threshold.

### 6.5.3 Overtemperature protection

An internal temperature sensor continuously monitors the IC junction temperature. If the IC temperature exceeds 140 °C typically the device stops operating. As soon as the temperature falls below 120 °C typically normal operation is restored.

## 7 Typical performance characteristics

$L = 2.2 \mu\text{H}$ ,  $V_O = 3.3 \text{ V}$ , all measurements are fulfilled with circuit shown in [Figure 3: "Application circuit \(adjustable output version\)"](#) and external components listed in Table 5.



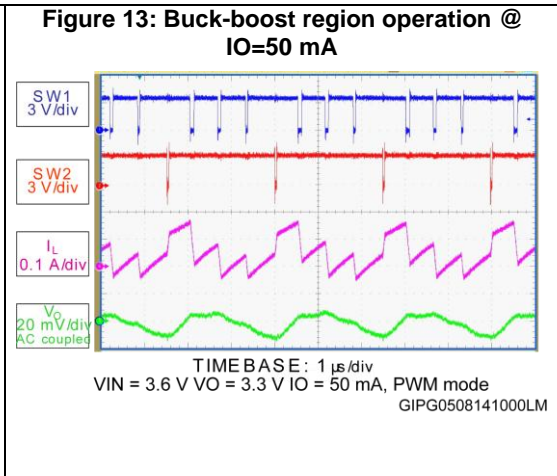
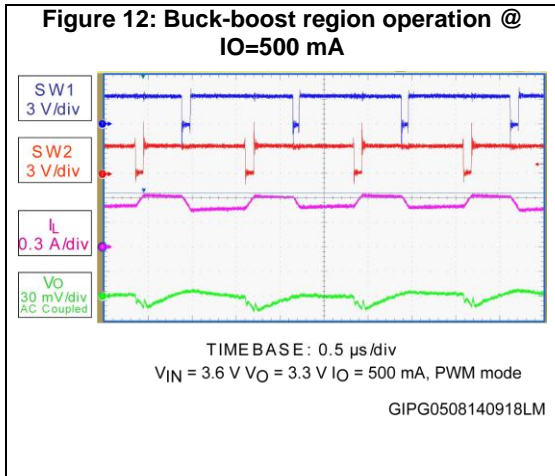
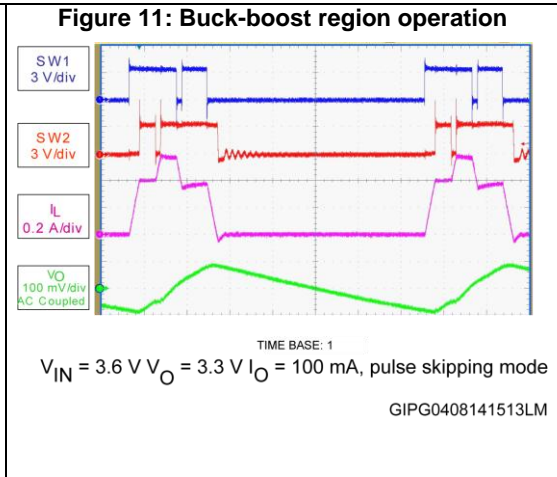
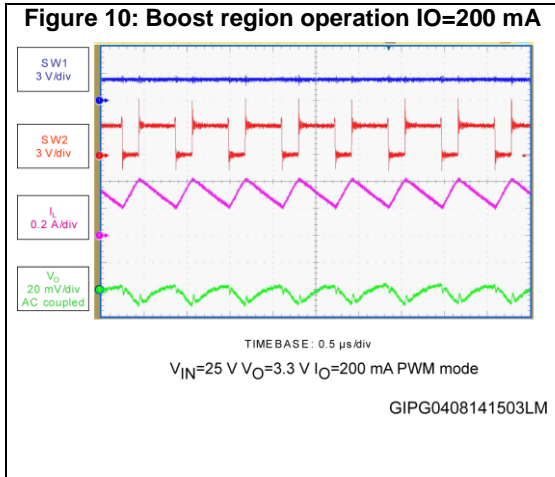
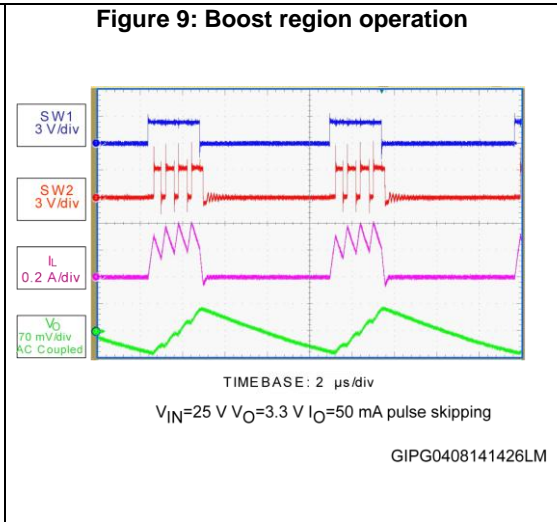
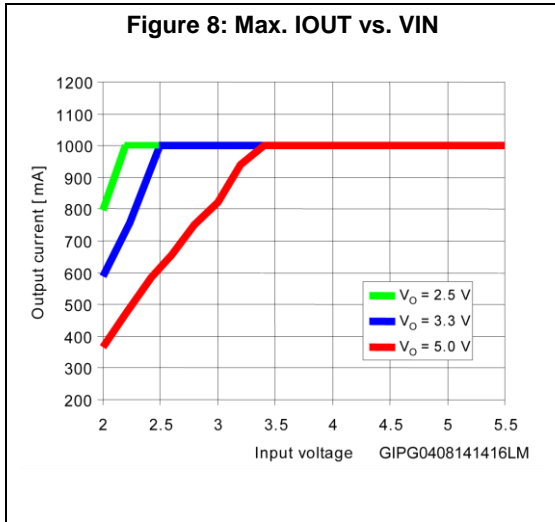


Figure 14: Buck region operation (skipping mode)

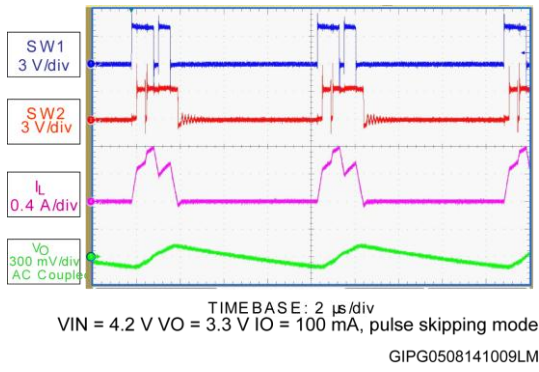
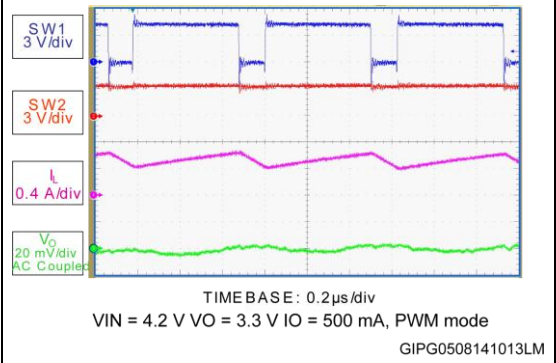


Figure 15: Buck region operation (PWM mode)



## 8 Application information

### 8.1 Programming the output voltage

The STBB1-AXX is available in two versions: fixed output voltage (STBB1-APURXX) and adjustable output voltage (STBB1-APUR). The former integrates the resistor divider needed to set the correct output voltage. This allows 2 external components to be saved. The FB pin must be connected directly to VOUT.

Regarding to the adjustable version, the resistor divider must be connected between VOUT and GND and the middle point of the divider has to be connected to FB as shown in [Figure 3: "Application circuit \(adjustable output version\)"](#)

Equation 1

$$R1 = R2 \times \left( \frac{V_{OUT}}{V_{FB}} - 1 \right)$$

A suggested value for R2 is 100 kΩ. To reduce the power consumption a maximum value of 500 kΩ can be used.

### 8.2 Inductor selection

The inductor is the key passive component for switching converters. With a buck-boost device, the inductor selection must take into consideration the boundary conditions in which the converter works, as buck at the maximum input voltage and as a boost at the minimum input voltage. Two critical inductance values are then obtained according to the following formulas:

equation 2

$$L_{MIN-BUCK} = \frac{V_{OUT} \times (V_{IN_{MAX}} - V_{OUT})}{V_{IN_{MAX}} \times f_s \times \Delta I_L}$$

equation 3

$$L_{MIN-BOOST} = \frac{V_{IN_{MIN}} \times (V_{OUT} - V_{IN_{MIN}})}{V_{OUT} \times f_s \times \Delta I_L}$$

where:

$f_s$ : minimum switching frequency

$\Delta I_L$  = the peak-to-peak inductor ripple current. As a rule of thumb, the peak-to-peak ripple can be set at 10% - 20% of the output current. The minimum inductor value for the application is the highest between the above equations. Furthermore, the maximum current the inductor can handle must be calculated in order to avoid saturation.

equation 4



$$I_{\text{PEAK -BUCK}} = I_{\text{OUT}}/\eta + \frac{V_{\text{OUT}} \times (V_{\text{IN}_{\text{MAX}}} - V_{\text{OUT}})}{2 \times V_{\text{IN}_{\text{MAX}}} \times f_s \times L}$$

equation 5

$$I_{\text{PEAK -BOOST}} = \frac{V_{\text{OUT}} \times I_{\text{OUT}}}{\eta \times V_{\text{IN}_{\text{MIN}}}} + \frac{V_{\text{IN}_{\text{MIN}}} \times (V_{\text{OUT}} - V_{\text{IN}_{\text{MIN}}})}{2 \times V_{\text{OUT}} \times f_s \times L}$$

where  $\eta$  is the estimated efficiency of the STBB1-AXX. The maximum of the two values above must be considered when the inductor is selected.

### 8.3 Input and output capacitor selection

Ceramic capacitors should be with low ESR in order to filter any disturbance present in the input line and to obtain stable operation. Minimum values of 10  $\mu\text{F}$  for both capacitors are needed to achieve good behavior of the device.

The input capacitor has to be placed as closer as possible to the device.

# 9 Recommended PCB layout

Figure 16: Component placement

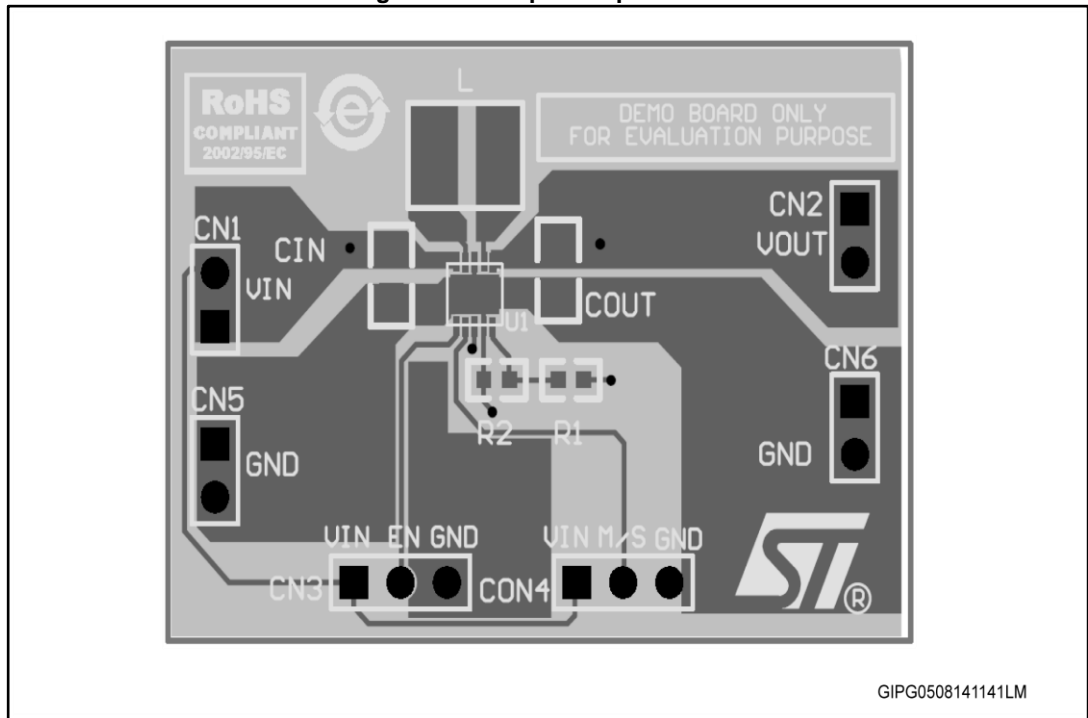


Figure 17: Top layer routing

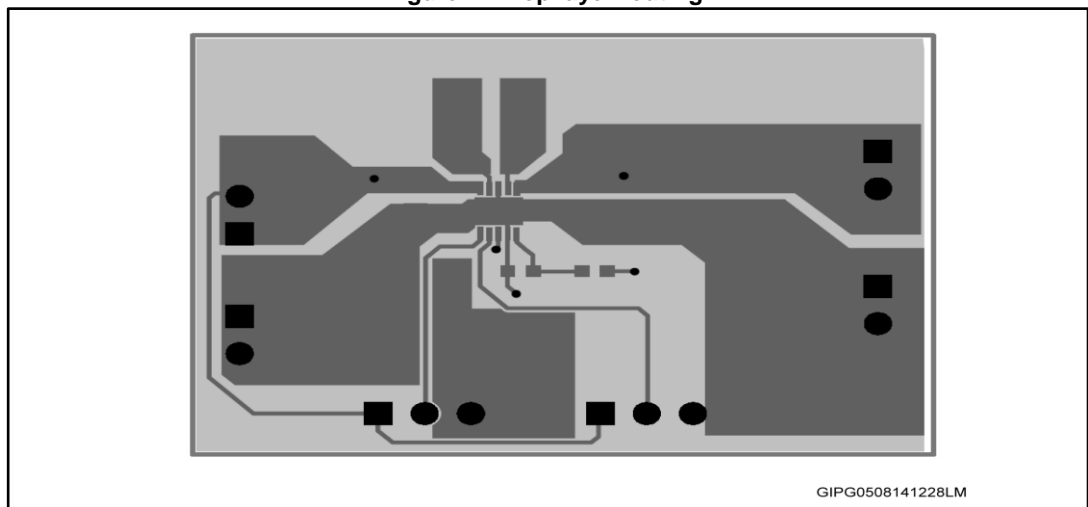
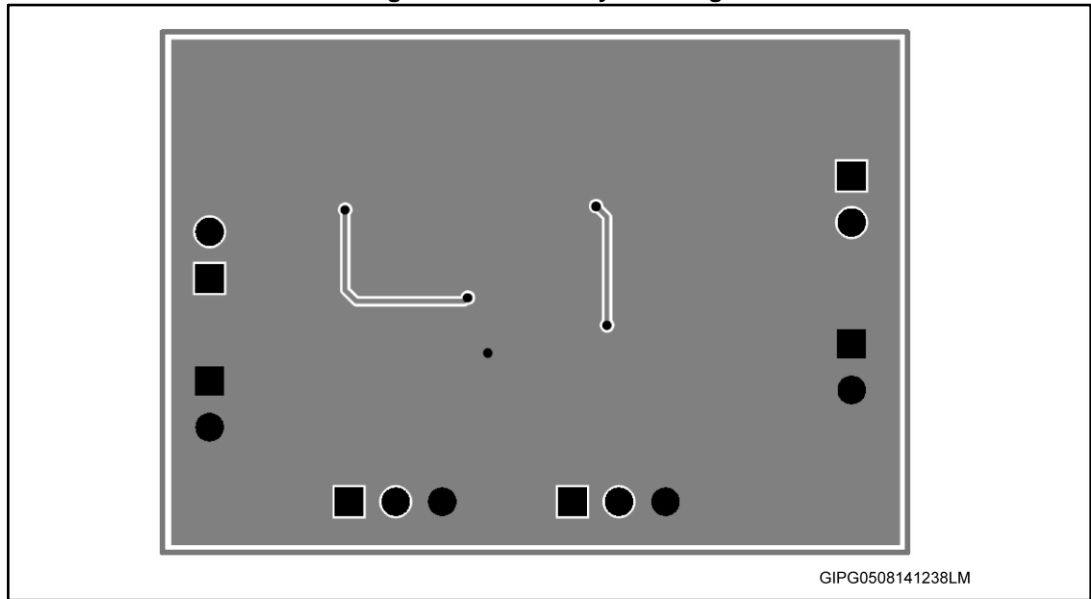


Figure 18: Bottom layer routing



## 10 Package mechanical data

In order to meet environmental requirements, ST offers these devices in different grades of ECOPACK® packages, depending on their level of environmental compliance. ECOPACK® specifications, grade definitions and product status are available at: [www.st.com](http://www.st.com). ECOPACK® is an ST trademark.

### 10.1 DFN10 (3X3 mm) mechanical data

Figure 19: DFN10 (3X3 mm) drawings

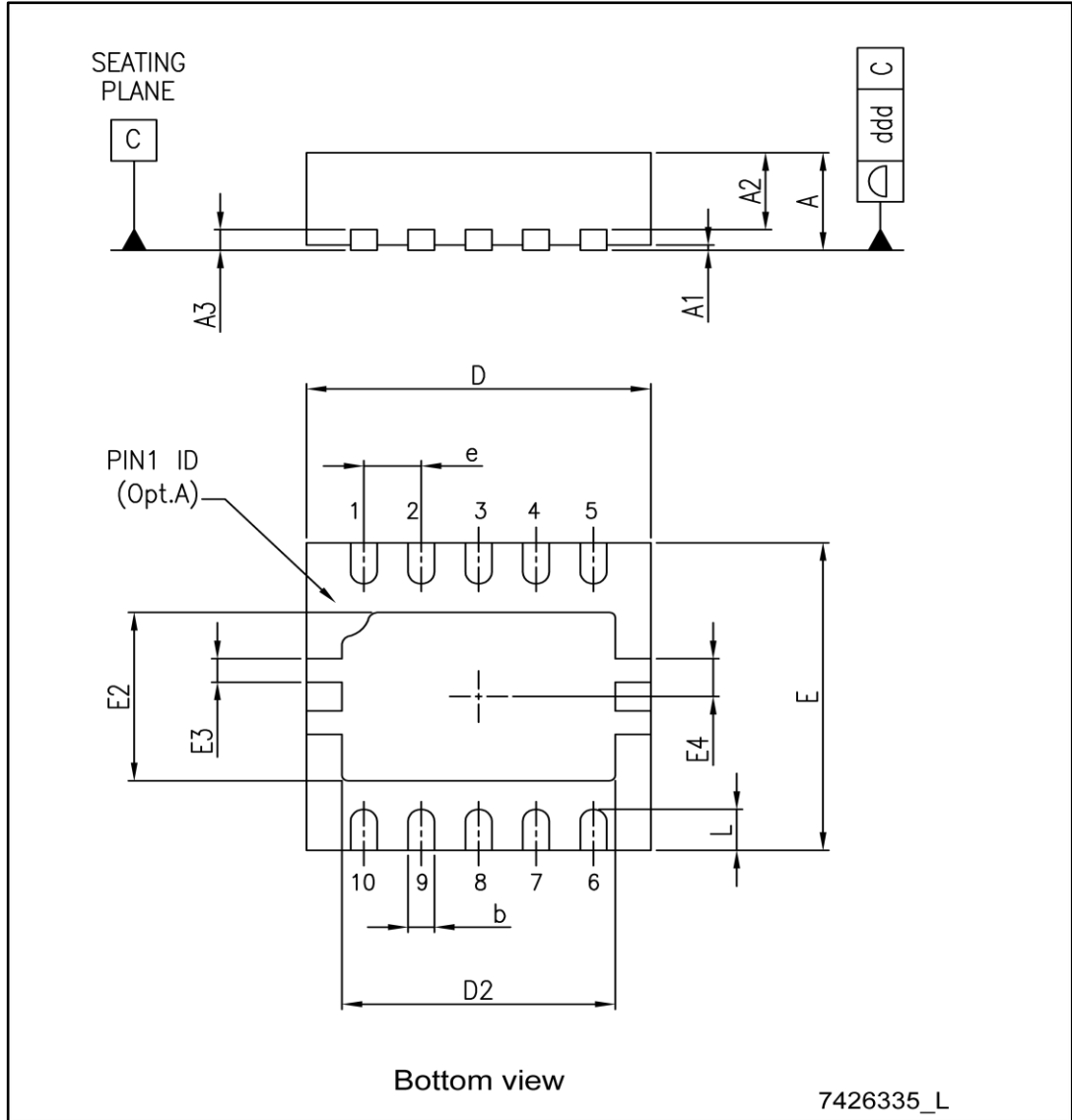


Table 7: DFN10 (3x3 mm) mechanical data

Dim.	mm		
	Typ.	Min.	Max.
A	0.90	0.80	1.00
A1 <sup>(1)</sup>	0.02		0.05
A2	0.70		
A3 <sup>(1)</sup>	0.20		
b	0.23	0.18	0.30
D	3.00	2.85	3.15
D2	2.38	2.23	2.50
E	3.00	2.85	3.15
E2	1.64	1.49	1.75
E3	0.230		
E4			
e	0.50		
L	0.40	0.30	0.50
ddd			0.08

**Notes:**

<sup>(1)</sup>The size is related to all leads, including exposed pad terminals.



## 11 Revision history

**Table 8: Document revision history**

Date	Revision	Changes
07-Sep-2011	1	Initial release.
04-Oct-2011	2	Added condition $T_A = 25\text{ °C}$ for the oscillator frequency parameter in table 6.
04-Aug-2014	3	Changed mechanical data.
29-Oct-2014	4	Updated mechanical data. Inserted the device summary table. Deleted the "application circuit (fixed output version)" figure.

**IMPORTANT NOTICE – PLEASE READ CAREFULLY**

STMicroelectronics NV and its subsidiaries ("ST") reserve the right to make changes, corrections, enhancements, modifications, and improvements to ST products and/or to this document at any time without notice. Purchasers should obtain the latest relevant information on ST products before placing orders. ST products are sold pursuant to ST's terms and conditions of sale in place at the time of order acknowledgement.

Purchasers are solely responsible for the choice, selection, and use of ST products and ST assumes no liability for application assistance or the design of Purchasers' products.

No license, express or implied, to any intellectual property right is granted by ST herein.

Resale of ST products with provisions different from the information set forth herein shall void any warranty granted by ST for such product.

ST and the ST logo are trademarks of ST. All other product or service names are the property of their respective owners.

Information in this document supersedes and replaces information previously supplied in any prior versions of this document.

© 2014 STMicroelectronics – All rights reserved