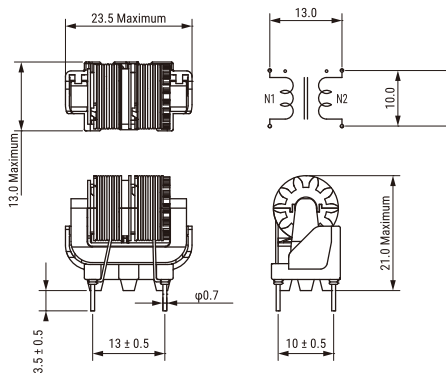


**KEMET Part Number: SSR10VS-10135**  
(UALR10VS101350)

KEMET, SSR10VS/HS, AC Line Filters, Common Mode, 0.0135 H



**Dimensions**

<b>L</b>	23.5mm MAX
<b>T</b>	13mm MAX
<b>H</b>	21mm MAX
<b>LL</b>	3.5mm +/-0.5mm
<b>S</b>	13mm +/-0.5mm

**Packaging Specifications**

<b>Packaging:</b>	Tray
<b>Packaging Quantity:</b>	600
<b>Weight:</b>	9 g

**General Information**

<b>Series:</b>	SSR10VS/HS
<b>Style:</b>	Through-Hole
<b>Features:</b>	Compact Size, Low Profile, Light Weight, High Frequency, Broad Bandwidth
<b>RoHS:</b>	Yes
<b>Miscellaneous:</b>	50 (K) Temperature Rise Max.

**Specifications**

<b>Voltage AC:</b>	250 VAC
<b>Inductance:</b>	13.5 mH (10 kHz)
<b>Current:</b>	1 A
<b>Temperature Range:</b>	-25/+120°C
<b>DC Resistance:</b>	430 mOhms