

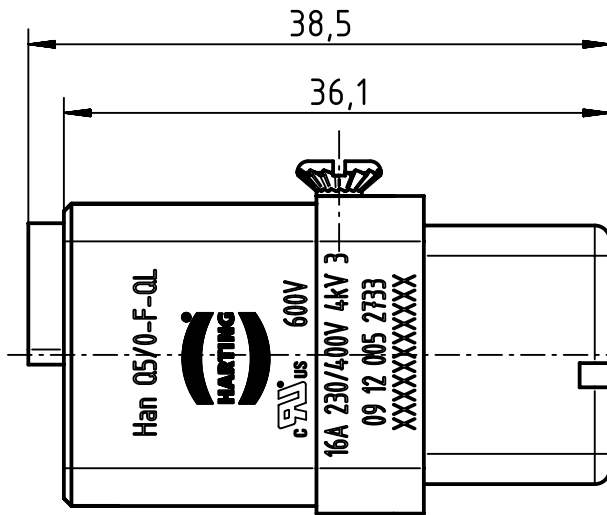
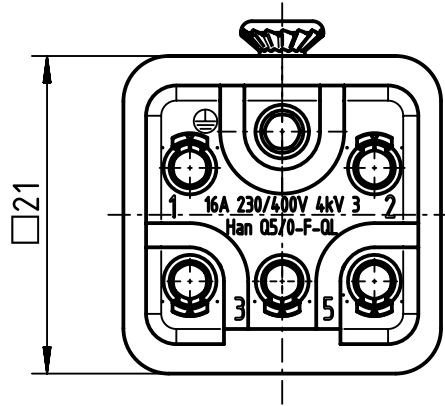
1 2 3 4 5 6

A

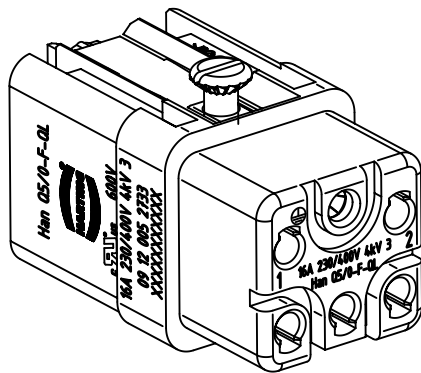
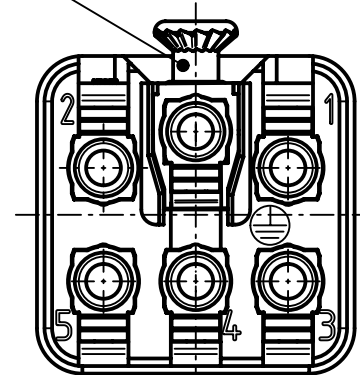
B

C

D



insert fixing screw M3x6  
separately enclosed



	All Dimensions in mm Original Size DIN A4	Scale	Free size tol.			Ref.	
		2:1				Sub. TB 09 12 005 2733 vom 26.02.2010	
	All rights reserved Department EL PD - DE	Created by	Inspected by	Standardisation	Date	State	
		FINKEV	NICHTERLEIN	RUETERA	2017-11-14	Final Release	
HARTING Electric GmbH & Co. KG D-32339 Espelkamp		Title Han Q5/0-F-QL 2,5mm <sup>2</sup>				Doc-Key / ECM-Nr. 100132566/UGD/006/D 500000127359	
		Type	Number			Rev.	Page
		TB	09 12 005 2733			D	1/1