

# Phase sequence and phase loss relay BZF-3k



www.mikrobest.pl

## Relay for monitoring 1 relay output DPDT



### General characteristics

- Electronic relay
- 1 relay output with 2 changeover contacts (DPDT)
- Green LED for relay state
- Automatic resetting
- Mounting 11-pin socket

Order code	Monitoring terminals	Voltage	Qty per pkg
BZF-3k	L1, L2, L3	V  3 x 400/230 V 50Hz	1

## Function

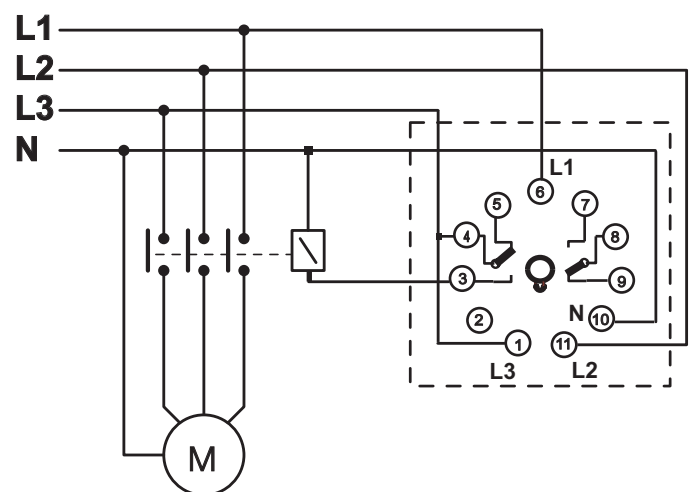
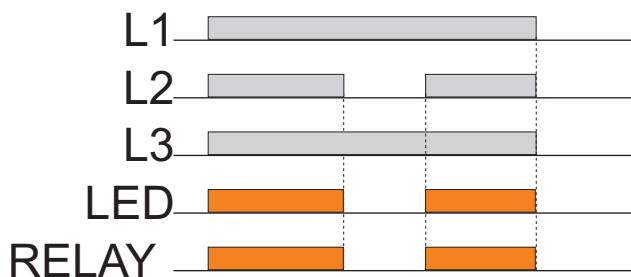
### Phase sequence and phase loss

The voltage to control L1, L2, L3 is connected to 6, 11, 1 terminals.  
Neutral wire N is connected to 10 terminal.  
The green LED flashes when all phases and neutral are correct.  
When LED flashes internal relay is energised.  
Internal relay and LED are off when on one phase voltage is below 180V.  
Return to normal voltage switches on internal relay and LED immediately.

## Technical parameters

Supply terminals: 3 x 400/230 V; 50Hz  
Consumption: max 15VA  
Current rating: 8A/250V AC1  
8A/24V DC1  
Protection degree: IP20  
Dimensions: 95 x 35 x 35mm  
Operating temperature: -15...+60 deg.C

### Phase loss



### Phase sequence

