

**FRZ<sup>®</sup>** 弗而兹电气

## PRODUCTS DATASHEET

---

**FRX6 FRX8**

熔断器辅助指示开关

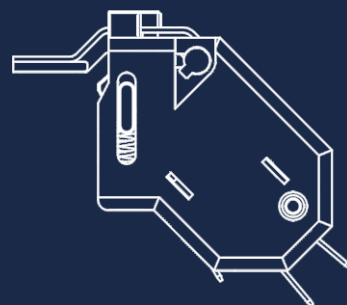
Fuse auxiliary indicating switch

---

产品规格书

Product Specification

**FRSI<sup>®</sup>**

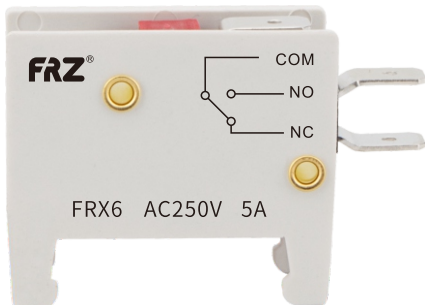


## 规格书修订记录

## Specification Revision record

版本 Version	制定/修改日期 Establish / modification Date	修订内容 Revised content	实施日期 Implementation date	制定/修订者 Establish / Reviser
V1.0	2021.12.01	创建 Establish	2021.12.08	王华 Wang Hua

## FRX6 微动开关 FRX6 microswitch

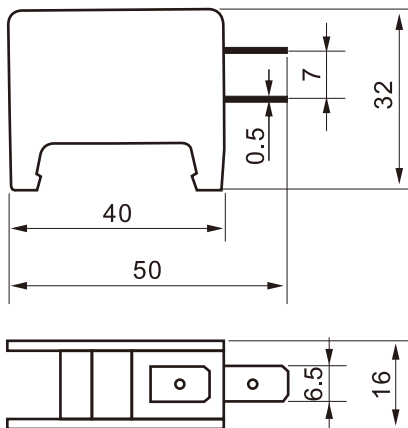


FRX6微动开关是为满足市场需求, 为客户开发的一种与带基座熔断器配套, 使用方便的新型开关。该产品动作灵活, 闭全可靠, 需要2组接点可选用FRX26双开关。该产品适用于各类带基座熔断器, 熔断器断开时, 开关给出电信号。

FRx6 microswitch is a new type of switch developed for customers to meet the market demand, which is matched with the fuse with base and easy to use. The product has flexible action and reliable closing. Two groups of contacts are required, and frx26 double switch can be selected. This product is applicable to thousands of kinds of fuse with base. When the fuse is disconnected, the switch gives an electrical signal.

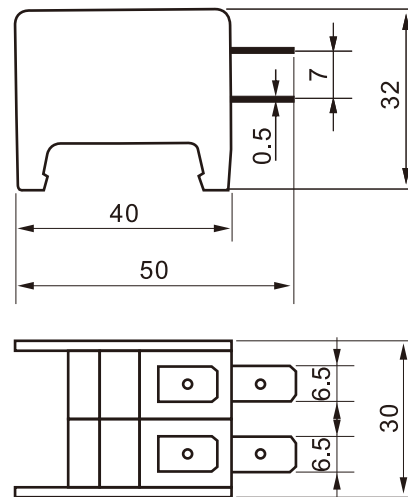
### FRX6微动开关外形尺寸

FRX6 microswitch Outline dimensions



### FRX26双微动开关外形尺寸

FRX26 double microswitch Outline dimensions



单位:mm

Unit: mm

## 电气参数 Electrical parameters

FRX6 微动开关: 额定电压250Vac (Max), 额定电流5A.

FRx6 microswitch: rated voltage 250VAC (max), rated current 5A

## 使用安装 Use installation

- ◎将开关4个底角平稳卡入熔断器基座。
- ◎将信号线与开关接线端子按要求可靠连接。
- ◎安装地点户内空气应清洁。
- ◎Clip the fuse into the base of the 4 switches smoothly.
- ◎ Connect the signal line and the switch terminal reliably as required.
- ◎ The indoor air at the installation site shall be clean.

## FRX8卡装式微动开关 FRX8 Snap-on Micro Switch



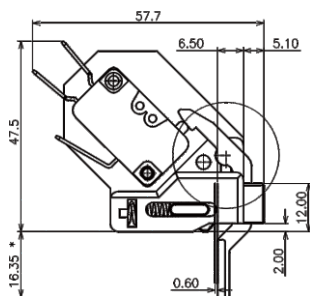
- ◎配有一个常开触点和一个常闭触点, 开关接线端标识与外标识的对应:  
NC(常闭触点), NO(常开触点), COM(公共触点)
- ◎符合RoHS
- ◎额定电压: 250Vac/24Vdc
- ◎用于带卡榫和安装指示基座的低压熔断器远程指示

- ◎with a normally open contact and a normally closed contact, the switch terminal identification corresponds to the outer identification  
NC (normally closed contact), NO (normally open contact), COM(common contact)
- ◎RoHS compliant
- ◎Rated voltage: 250Vac/24Vdc
- ◎Remote indication of low-voltage fuses with thousands of belt clips and mounting indicating bases

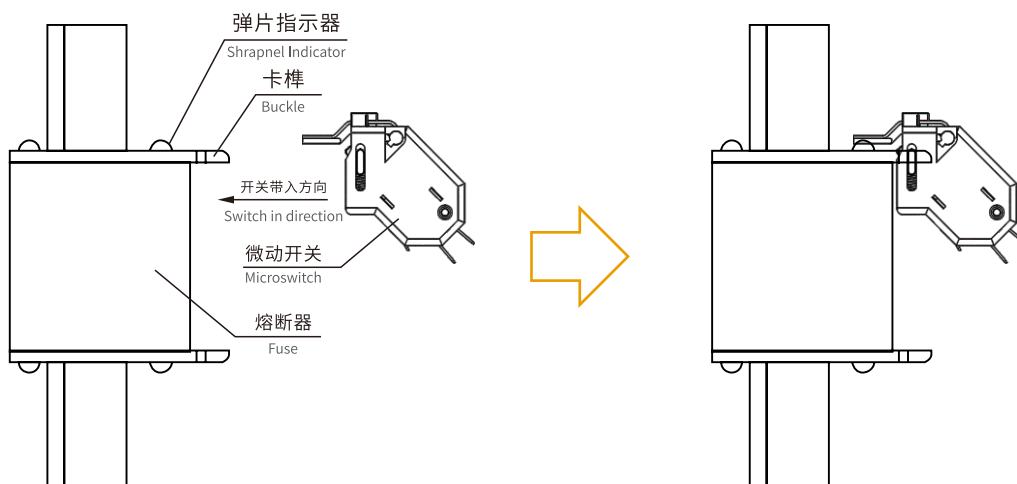
型号 Product model	额定电流 Rated current	阻燃等级 Flame retardant grade	介电强度 Dielectric strength	接触电阻 Contact resistance	外接线尺寸 External wiring size
FRX8-5A	5A	UL V-0	同极不相接端子间1kV50/60Hz 1min Between terminals that are not connected to the same pole 1kV50/60Hz 1min	≤50mΩ	6.3X0.8mm

### 外形尺寸 Dimensions

单位Unit:mm



### 安装指南 Installation Guide



样本所述的产品资料以实物为准，若有变更本公司恕不另行通知，欢迎致电咨询。

The product information stated in the sample shall be subject to the material object.  
If there is any change without prior notice, please call us for consultation.

**FRZ<sup>®</sup> 弗而兹电气**

地址：浙江省乐清市北白象镇东大街512号

Address: 512 Dong Dajie, Beibaixiang Town, Yueqing  
City, Zhejiang Province

电话(Tel): 0577-6198 6868 传真(Fax): 0577-6198 6869 网站(Web): <http://www.frsidq.com>

