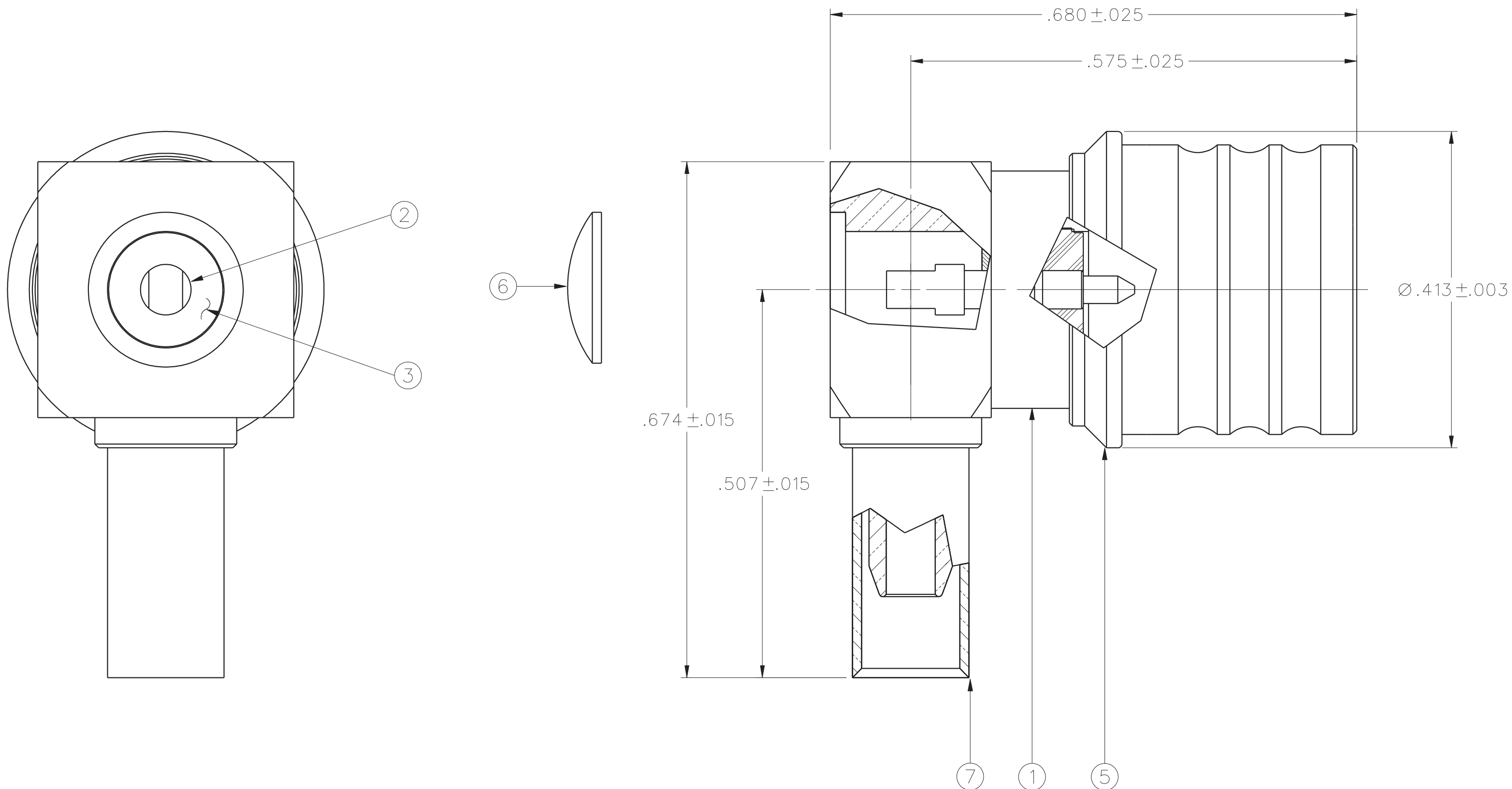


PART NUMBER	ITEM ① BODY	ITEM ② CONTACT	ITEM ③ INSULATOR	ITEM ④ COUPLING DEVICE	ITEM ⑤ DE-COUPLING SLIDER	ITEM ⑥ END CAP	ITEM ⑦ CRIMP SLEEVE
146-0403-107	BRASS TRI-ALLOY PL .0001 MIN	BRASS GOLD PL .00005 MIN OVER NICKEL PL .00005 MIN OVER COPPER PL .00005 MIN	TEFLON	BERYLLIUM COPPER TRI-ALLOY PL .0001 MIN	BRASS TRI-ALLOY PL .0001 MIN	BRASS TRI-ALLOY PL .0001 MIN	COPPER TRI-ALLOY PL .0001 MIN

DRAWING NO. C - 146-0403-101/110	
REVISIONS	
ENGINEERING RELEASE	
1	1-24-10 C W W R B A K J U 1-24-10 ECO 52109
10 LBS COUPLING RETENTION WAS 13.5	
1a	3-3-11 C W W R B A K J U 3-3-11 ECO 53067



NOTES:

1. SPECIFICATIONS:

IMPEDANCE: 50 OHMS NOMINAL  
 FREQUENCY RANGE: 0-12.4 GHz  
 VSWR: 1.15 + 0.03F  
 WORKING VOLTAGE: 250 VRMS MAX AT SEA LEVEL  
 DIELECTRIC WITHSTANDING VOLTAGE: 750 VRMS MIN AT SEA LEVEL  
 INSULATION RESISTANCE: 5000 MEGOHM MIN  
 CONTACT RESISTANCE:  
 CENTER CONTACT - INITIAL 4.0 MILLIOHM MAX, AFTER ENVIRONMENTAL 6.0  
 OUTER CONDUCTOR - INITIAL 2.0 MILLIOHM MAX, AFTER ENVIRONMENTAL NOT APPLICABLE  
 CABLE BRAID TO CONNECTOR BODY - INITIAL 5.0 MILLIOHM MAX, AFTER ENVIRONMENTAL NOT APPLICABLE

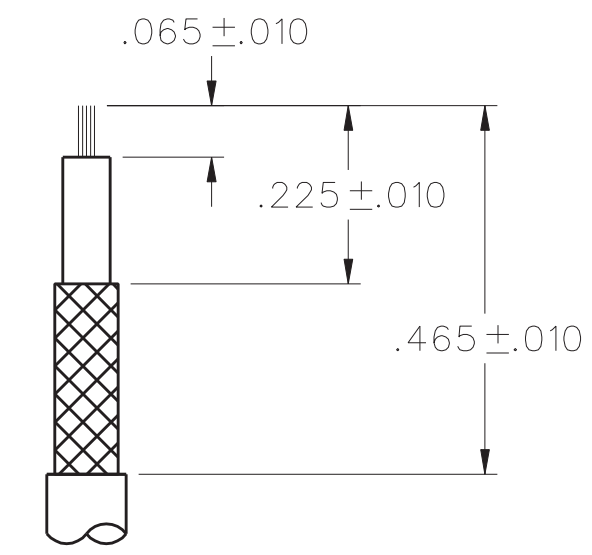
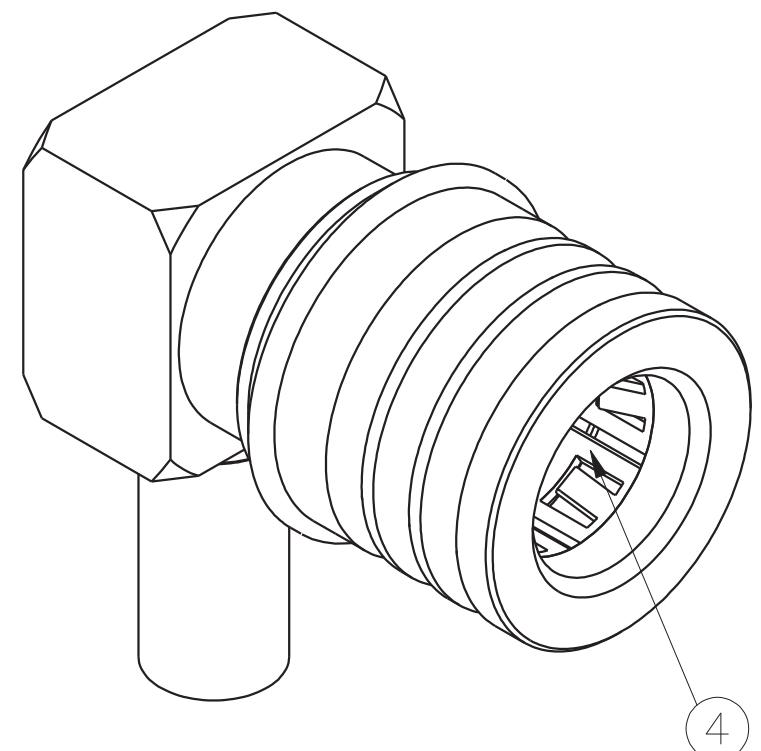
CORONA LEVEL: 190 VOLTS MIN AT 70,000 FEET  
 INSERTION LOSS:  $.15\sqrt{F}$  (F IN GHz) AT 6 GHz  
 RF LEAKAGE: -80 DB MIN AT 3.0 GHz  
 RF HIGH POTENTIAL WITHSTANDING VOLTAGE: 500 VRMS MIN AT 4 AND 7 MHz

MECHANICAL:

ENGAGE FORCE: 5.6 POUNDS TYPICAL  
 DISENGAGE FORCE: 4.5 POUNDS TYPICAL  
 COUPLING RETENTION FORCE: 10 POUNDS MIN  
 CONTACT RETENTION: 6 LBS MIN  
 CABLE ACCEPTABILITY: RG 188/U, RG 316/U, RG 161/U, RG 174/U, LMR 100  
 CABLE HEX CRIMP SIZE: .128  
 CABLE RETENTION: 20 LBS MIN AXIAL FORCE  
 DURABILITY: 500 CYCLES MIN

ENVIRONMENTAL:

THERMAL SHOCK: MIL-STD-202, METHOD 107, CONDITION B EXCEPT +85°C HIGH TEMP  
 OPERATING TEMPERATURE: -65 DEG C TO +165 DEG C  
 CORROSION: MIL-STD-202, METHOD 101, CONDITION B  
 SHOCK: MIL-STD-202, METHOD 213, CONDITION I  
 VIBRATION: MIL-STD-202, METHOD 204, CONDITION D  
 MOISTURE RESISTANCE: MIL-STD-202, METHOD 106




CABLE STRIP DIMENSIONS  
4:1

CUSTOMER DRAWING

THIS DRAWING TO BE INTERPRETED PER ASME Y 14.5M - 1994

"μ STATION"

COMPANY CONFIDENTIAL

TOLERANCE UNLESS OTHERWISE SPECIFIED	DRAWN BY T.A.Kari	DATE 4-09-08	 <b>Cinch</b> CONNECTIVITY SOLUTIONS a bel group	Cinch Connectivity Solutions P.O. Box 1732 Waseca, MN 56093 1-800-247-8256	
DECIMALS    mm	CHECKED BY CWW	DATE 3-7-11		TITLE RA PLUG KWIOMATE CONNECTOR CRIMP TYPE, RG-316	
.XX            _____	APPROVED BY T.A. KARI	DATE 3-7-11	SHEET 2 OF 2	DRAWING NO. C - 146-0403-101/110	
.XXX ±.003    _____	RELEASE DATE 3-7-11	SCALE 10:1			
MATL _____	U/M    INCH				
FINISH _____					

# Mouser Electronics

Authorized Distributor

Click to View Pricing, Inventory, Delivery & Lifecycle Information:

[Cinch Connectivity Solutions:](#)

[146-0403-107](#)