

DESCRIPTION: M12 // F // 3P // SOLDER CUP // PANEL REAR MOUNT

**SPECIFICATIONS:**

**MATERIALS:**  
 HOUSING: PBT, UL94 V-0, BLACK  
 CONTACTS: GOLD PLATED BRASS (SEE P/N KEY BELOW)  
 NUT: NICKEL PLATED BRASS  
 SHELL: NICKEL PLATED BRASS  
 ORING A: EPDM, BLACK  
 ORING B: NBR, BLACK

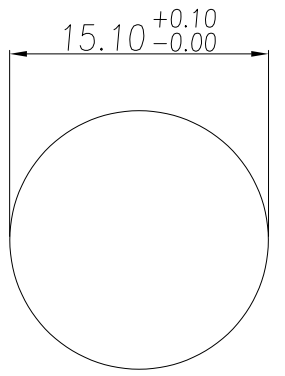
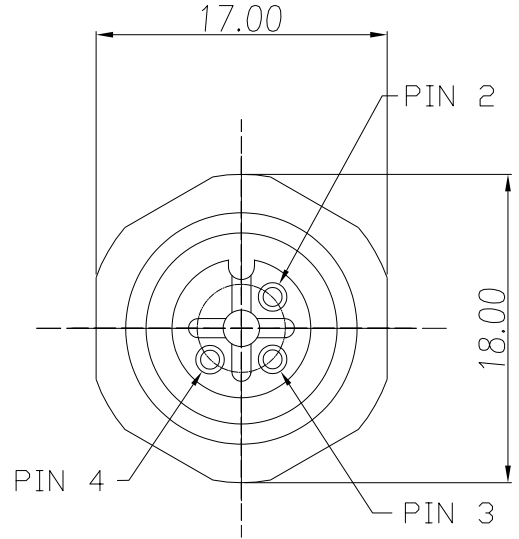
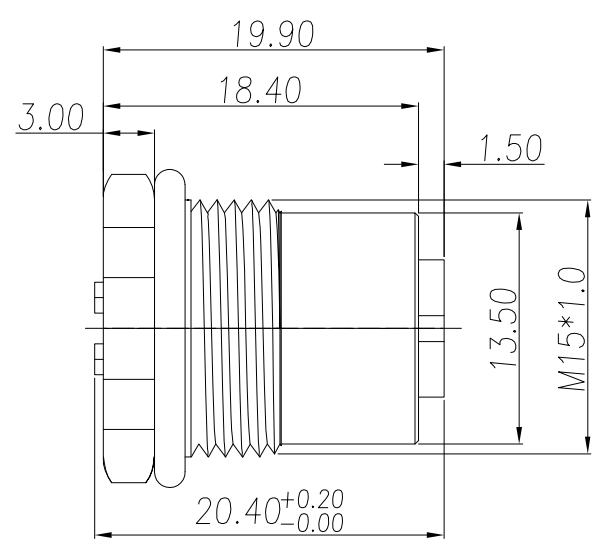
**ELECTRICAL:**  
 RATED CURRENT: 4A  
 RATED VOLTAGE: 250V  
 INSULATION RESISTANCE: 100 MOhms MIN.  
 CONTACT RESISTANCE: 10 mOhms MAX.

**ENVIRONMENT:**  
 OPERATING TEMPERATURE: -40°C TO +85°C  
 WATER PROOF: IP67

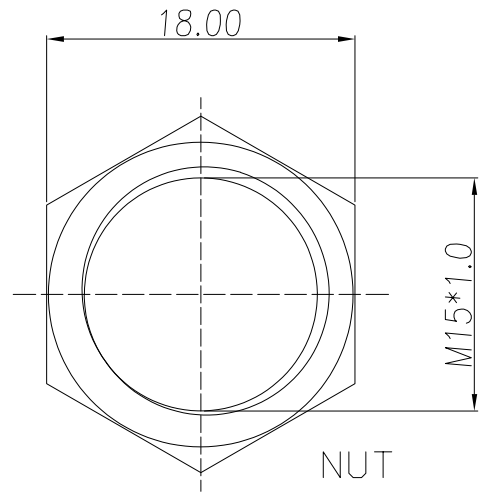
MAX WIRE AWG: 22

**NORCOMP MATING PART NUMBERS:**

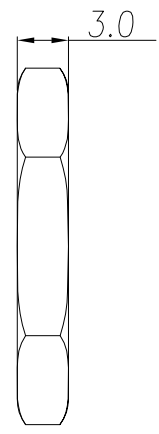
858-003-103RLU4\*  
 \*Also all material and contact plating variants



PANEL CUT OUT



NUT



**859-003-203R00Y**

3 = BRASS/NICKEL SHELL & NUT  
 S = STAINLESS STEEL SHELL & NUT  
 1 = GOLD FLASH  
 4 = 10µ" GOLD

RoHS COMPLIANT

UNITS = mm

DO NOT SCALE FROM DRAWING



THESE DRAWINGS AND SPECIFICATIONS ARE THE PROPERTY OF NorComp AND SHALL NOT BE REPRODUCED, COPIED OR USED AS THE BASIS FOR THE MANUFACTURE OR SALE OF APPARATUS WITHOUT WRITTEN PERMISSION.

DRAWN: M. SIGMON  
 DATE: 03/07/2016

**NorComp**

SCALE: NTS	SHEET 1 OF 1	REV 6
DWG NO. 859-003-203R00Y		

# Mouser Electronics

Authorized Distributor

Click to View Pricing, Inventory, Delivery & Lifecycle Information:

[NorComp:](#)

[859-003-203R004](#) [859-003-203R001](#)