

Product data sheet

Specifications



Miniature circuit breakers (MCBs)

VA 47-63 4,5kA EKF PROXIMA

IEC 60898-1

Product line	PROXIMA
Series name	VA 47-63
Device application	Distribution
Product type	Miniature circuit breaker
Rated voltage [U _e , V]	230/400
Frequency [Hz]	50/60
Poles	1P, 2P, 3P, 4P
Rated current [I _n , A]	0,5; 0,8; 1; 1,6; 2; 2,5; 3; 4; 5; 6; 8; 10; 13; 16; 13; 20; 25; 32; 40; 50; 63
Network type	AC
Trip unit technology	Thermal-magnetic
Tripping curve	B, C, D
Breaking capacity [I _{cn} , A]	4 500
Rated impulse withstand voltage [U _{imp} , kV]	4
Energy limiting class	3
Mechanical endurance, O-C cycles	20 000
Electrical endurance, O-C cycles	10 000
Tightening torque, max. [N·m]	2,5
Degree of protection	IP20
Operating temperatures [°C]	-25 ... +50
Cross-section of connection wires [mm ²]	1 - 25
Contact position indicator	Yes
Auxiliaries	Yes
Mounting support	DIN rail
Height [1P, mm]	78
Width [1P, mm]	18 ^{-0,25}
Depth [1P, mm]	72
Weight, max. [1P, kg]	0,1
Color	Grey (RAL 7035)



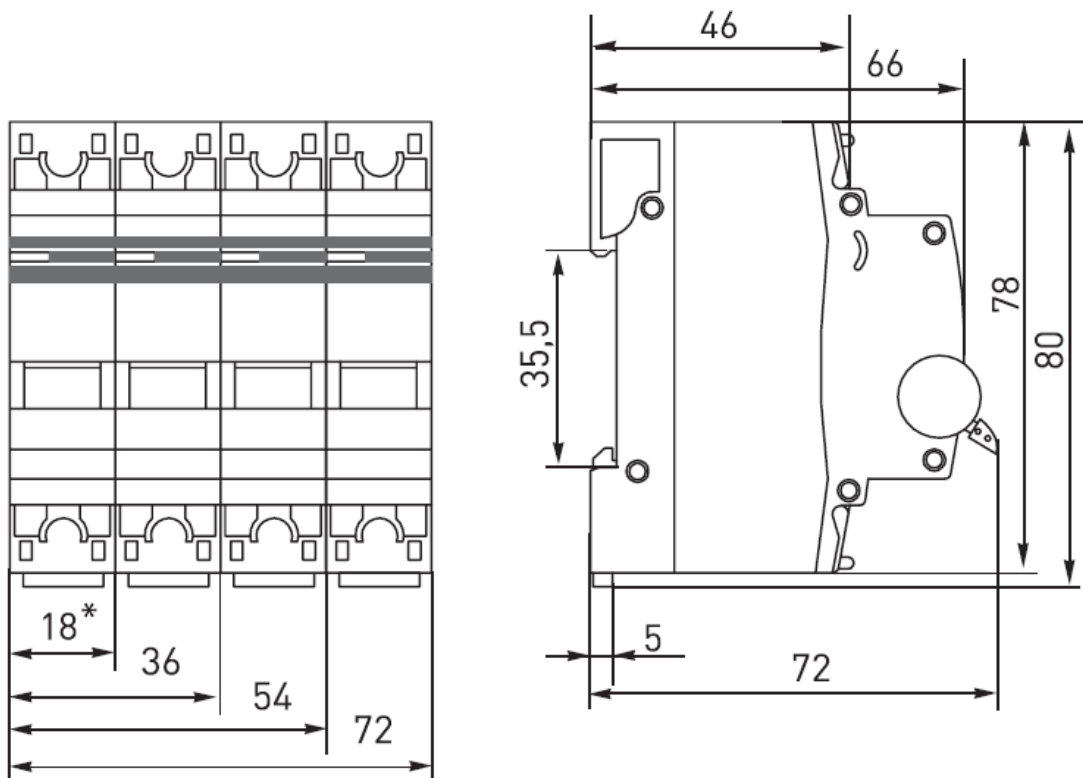
EKF

EKF ELECTRICAL SOLUTION – FZCO
Dubai Silicon Oasis, DDP, Building A2,
Dubai, United Arab Emirates
P.O. Box 342001

www.global.ekfgroup.com

**ENERGY
KNOWLEDGE
FUTURE**

Overall dimensions:



Note: MCB width (W) = $n \times 18^{-0,25}$ mm