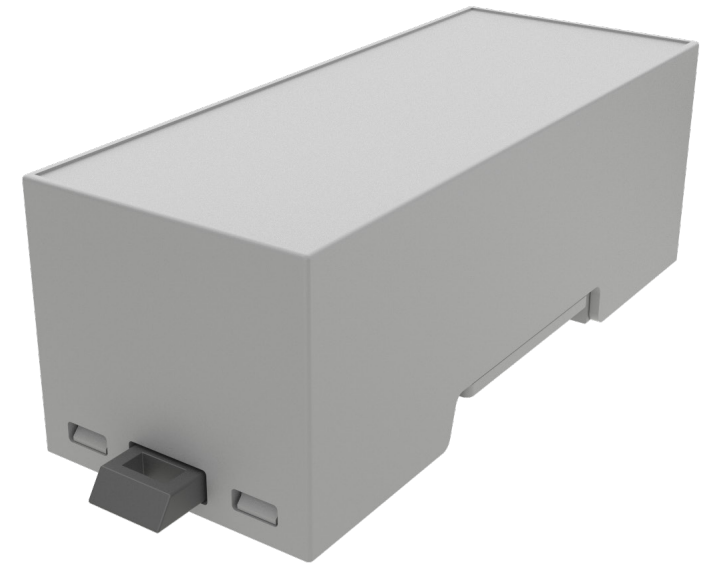
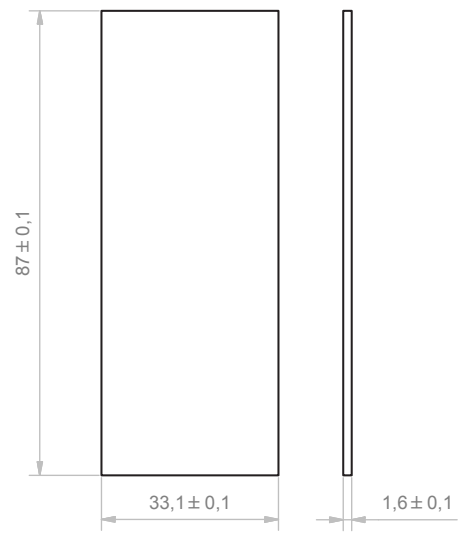


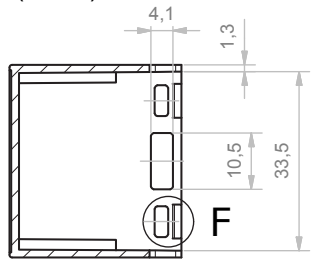
- DIN Rail mounting enclosure to suit varying electronic and electrical applications
- The enclosure has two high shoulders offering increased volume for components
- Openings for inputs/outputs can be cost effectively machined to customer specific requirements.
- Top panel is produced as part of the mould (non-removeable)
- Customisation options are available including machining and/or printing to customer specific requirements



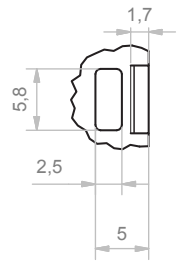
Dimension of PCB



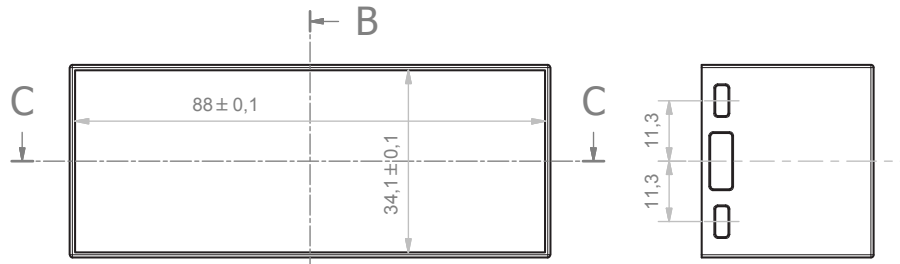
B-B (1:1)



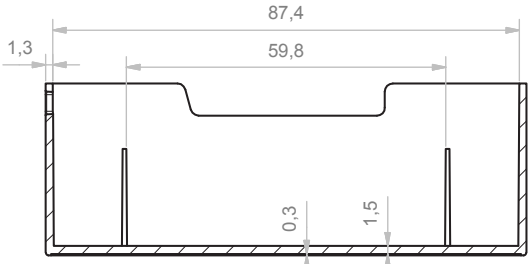
F (2:1)



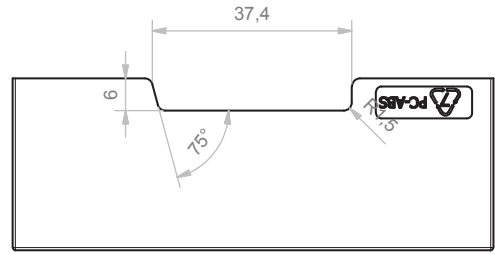
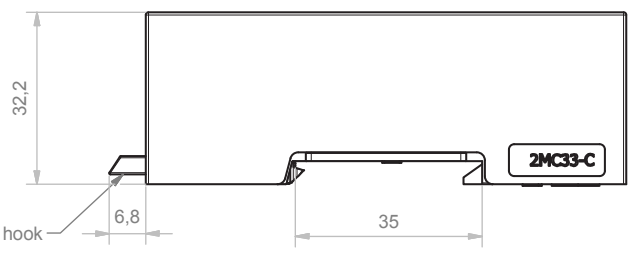
Body enclosure



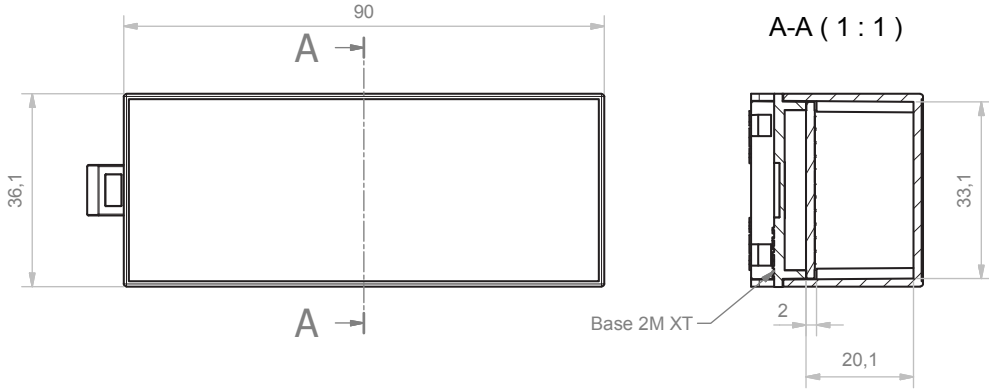
C-C (1:1)



Assembly



A-A (1:1)



Da 0,5 a 3	Oltre 3 fino a 6	Oltre 6 fino a 30	Oltre 30 fino a 120	Oltre 120
± 0,1	± 0,1	± 0,2	± 0,3	± 0,5

RESERVED PROPERTY The present drawing cannot be reproduced or communicated to 3d parties, even partially, without the authorization of ITALTRONIC Srl. Italtronic reserves to protect its own rights according to the law.	Dimension in mm	SHEET NR. 1 / 1	DRAWING BY Manual modification are not allowed	GENERAL TOLERANCE UNI EN 22768/1 Media (m)
		Date: 15/05/2014	Replace nr.	Revision description
Drawed: Rigato N.	Checked: Dalla Montà D.	Scale:		

A group of connecting technologies

enclosures for electronics

Denomination:

Contenitore Modulbox XTS 2MC33-C chiuso compact

Enclosure Modulbox XTS 2MC33-C closed compact

Drawing nr.

M-05169-00

5 4 3 2 1

Revision description