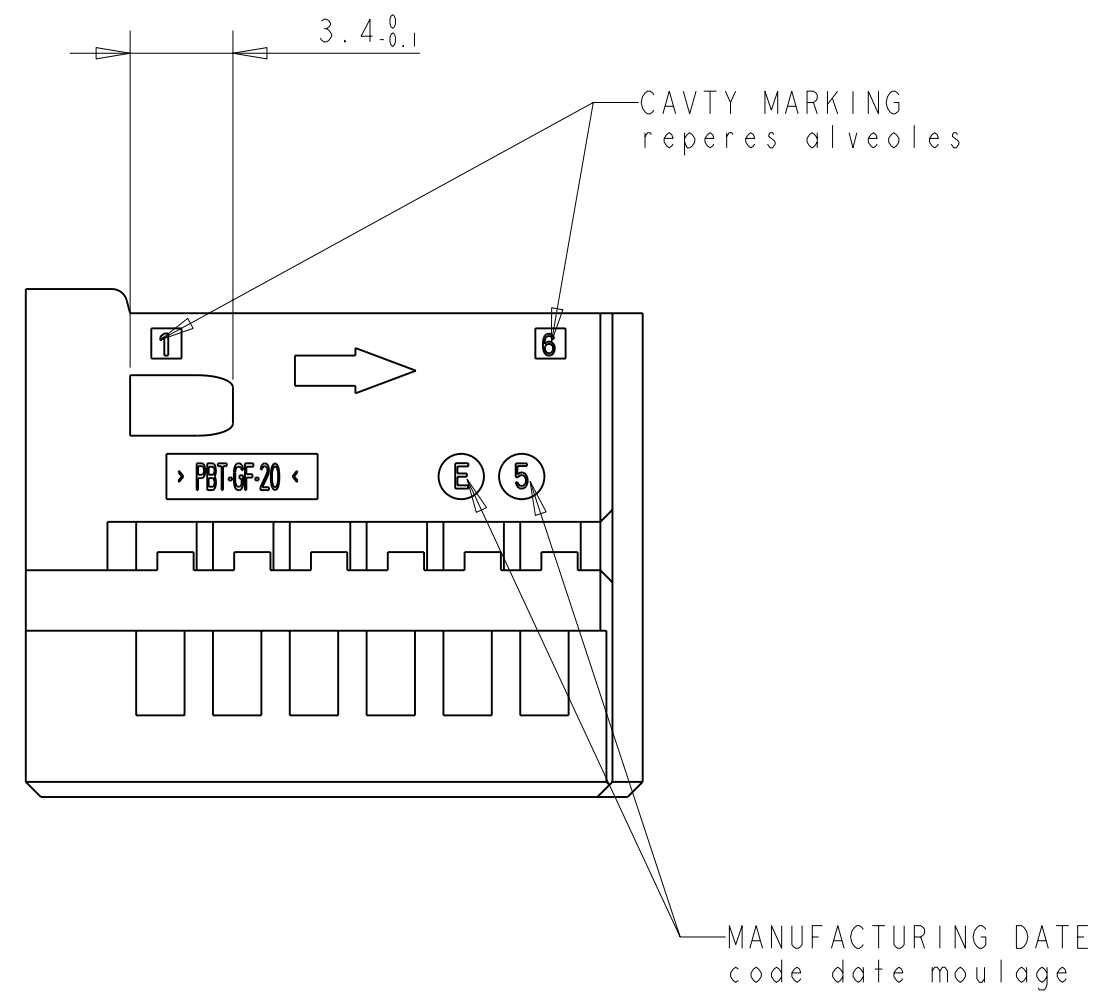
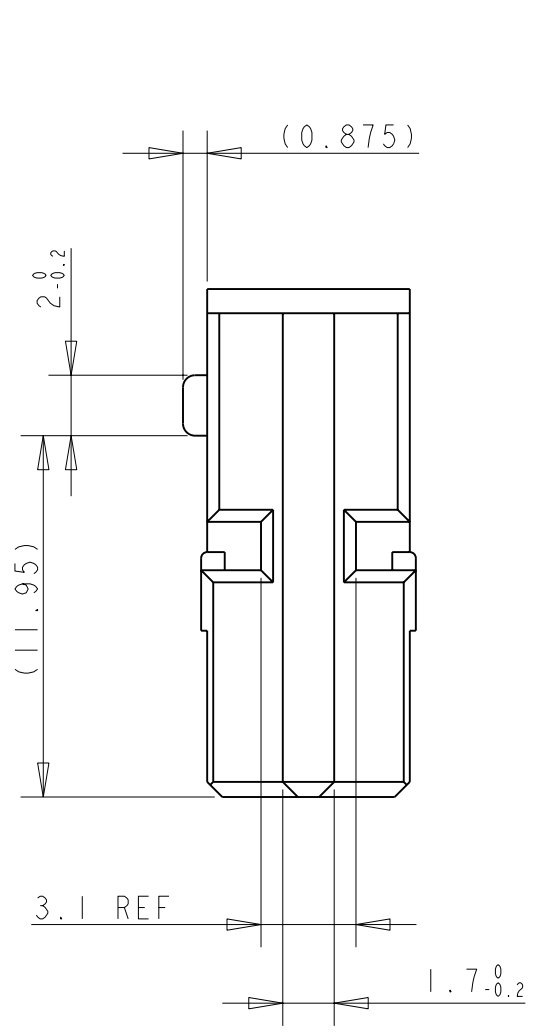


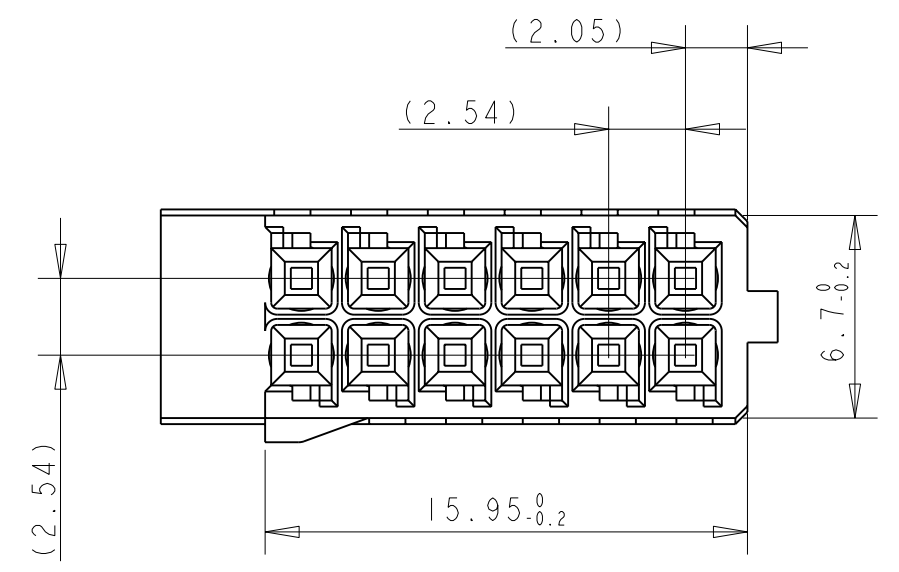
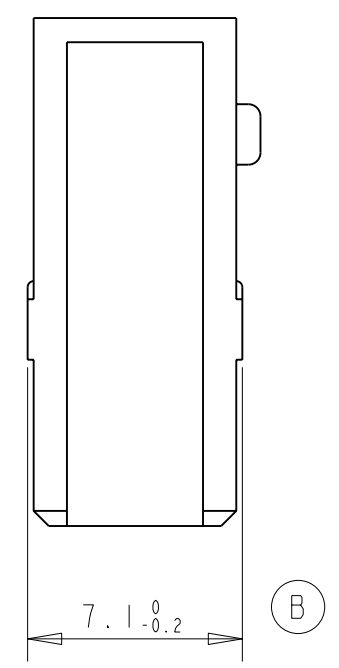
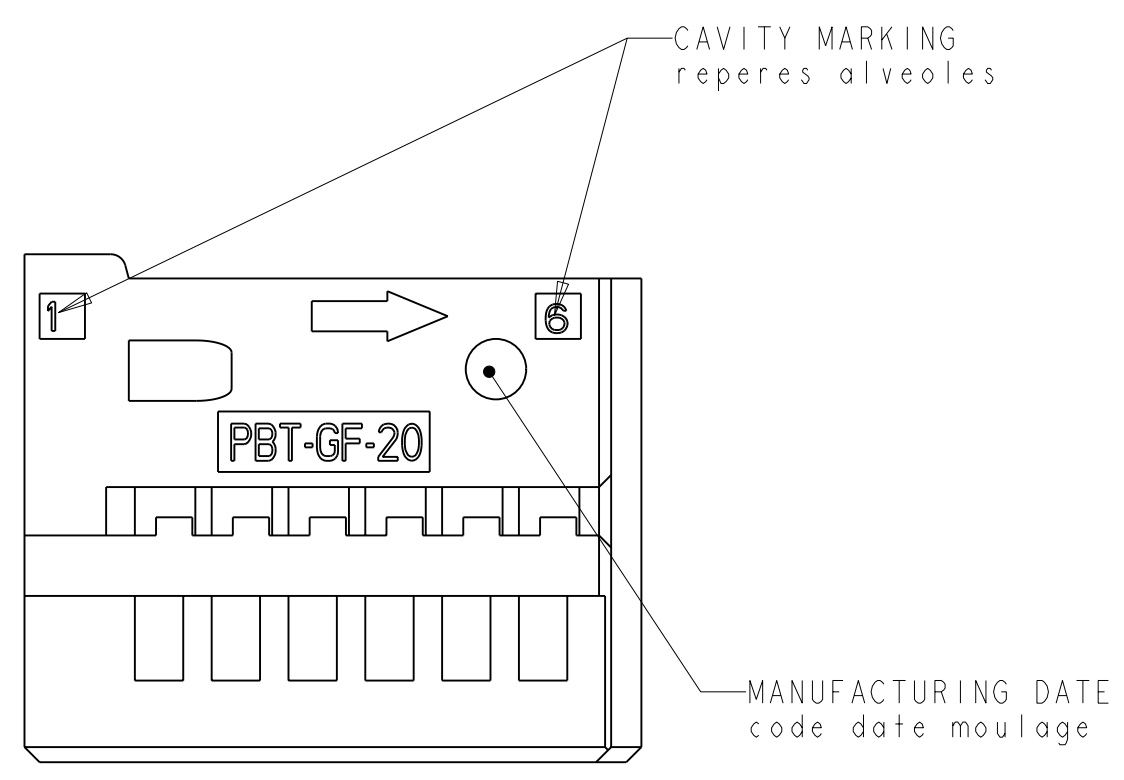
THIS DRAWING IS UNPUBLISHED.  
 DIFFUSION RESTREINTE  
 © COPYRIGHT 2007 BY TYCO ELECTRONICS CORPORATION. ALL RIGHTS RESERVED.  
 TOUS DROITS RESERVES

RELEASED FOR PUBLICATION  
 LIBRE A LA DIFFUSION  
 2007

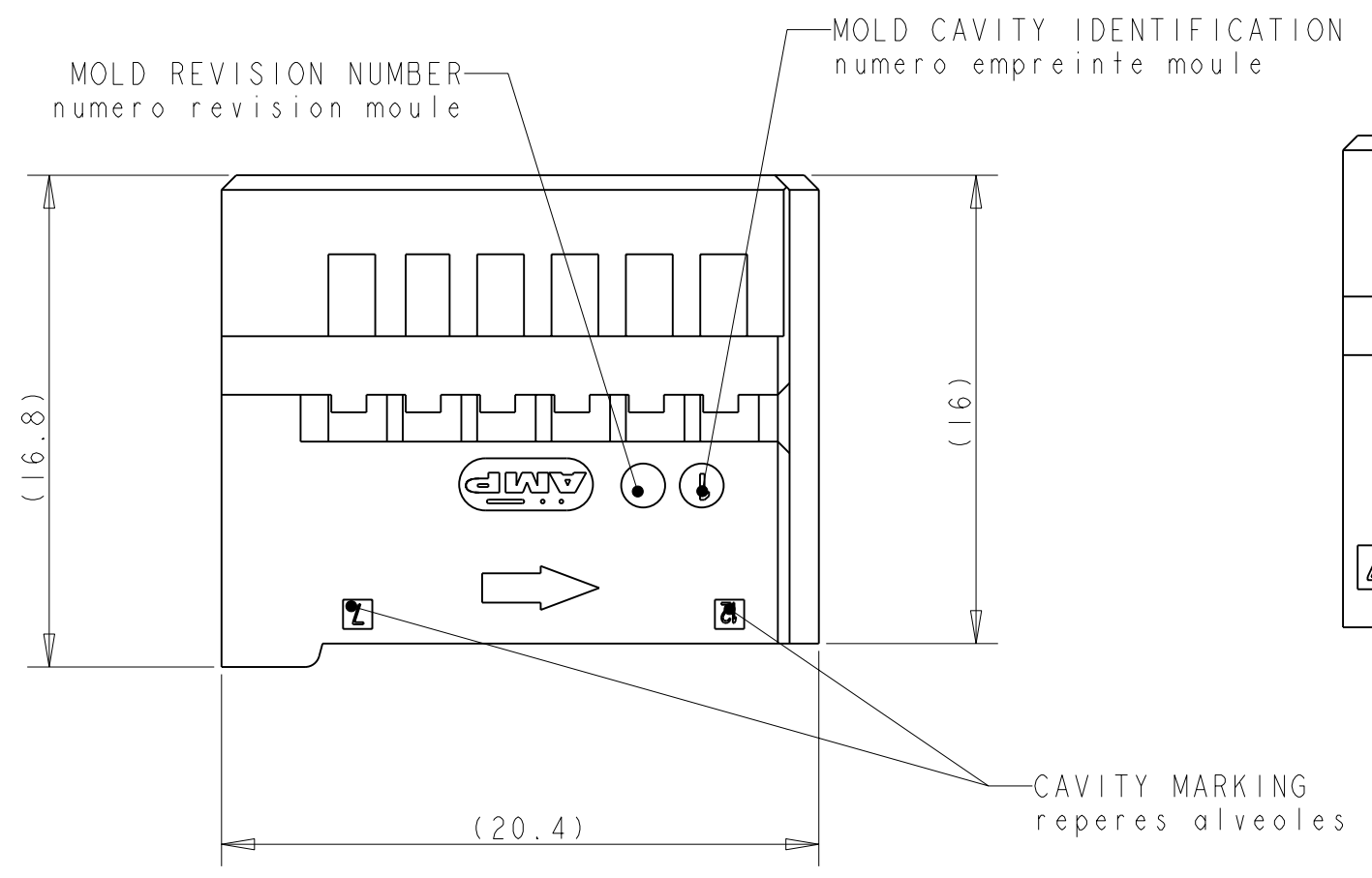
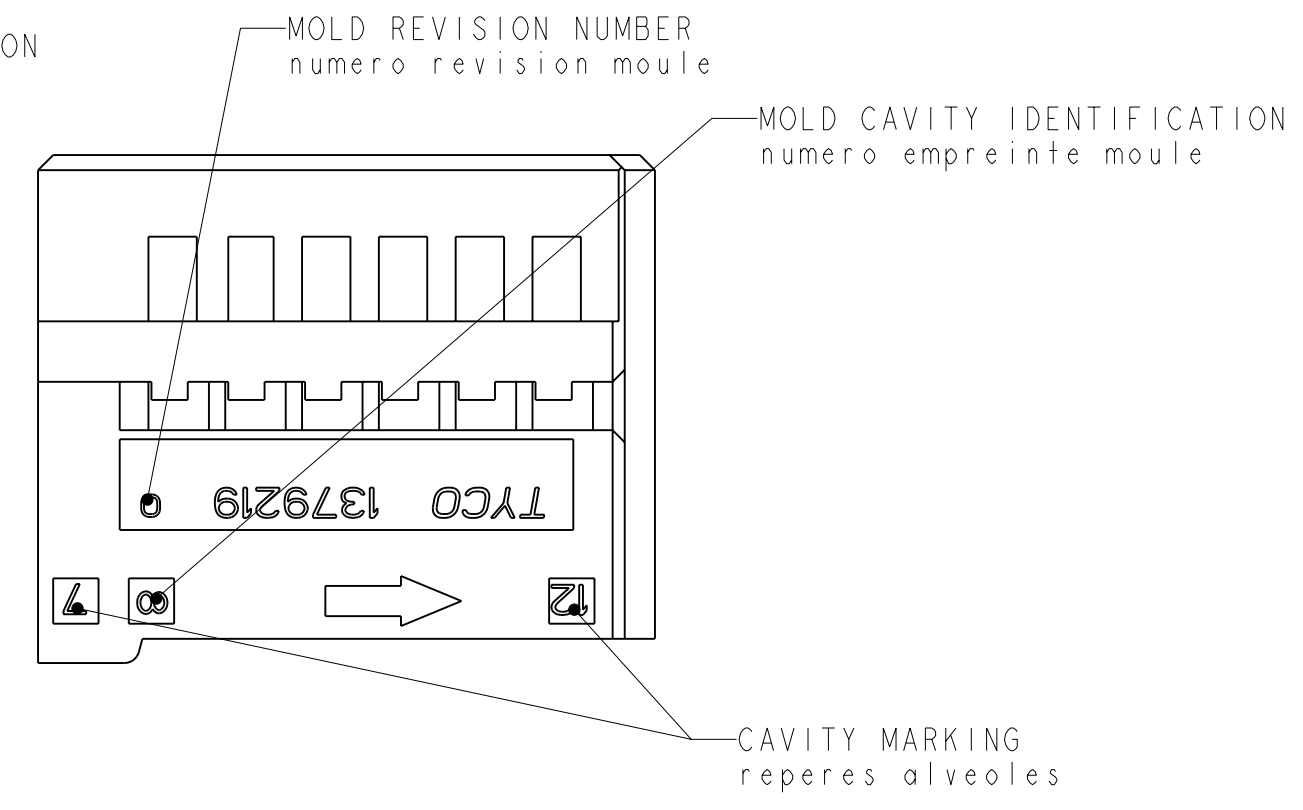
LOC	DIST	REVISIONS					
F	00	P	LTR	DESCRIPTION MODIFICATIONS	DATE	DWN DESS.	APVD APP.
		B		7,1 +0/-0.1 -> 7,1 +0/-0.2	10SEP2008	MP	EC



OTHER POSSIBILITY OF MARKING  
 autre possibilite de marquage



OTHER POSSIBILITY OF MARKING  
 autre possibilite de marquage



**PART TO BE USED WITH:**  
 COVER FOR MQS 12 POS GENE II 0°: 1379095-X  
 COVER FOR MQS 12 POS GENE II 90° REF: 1379096-X  
 MQS CONTACT REF 144969-X  
 MQS CONTACT LOW COST REF: 1379418-X  
 MQS CONTACT LOW COST REF: 1379419-X

PBT GF 20%	BLACK	1379219-1
PBT 20% FV	noir	
MATERIAL	COLOR	TE REF
matiere	couleur	ref TE

THIS DRAWING IS A CONTROLLED DOCUMENT FOR TYCO ELECTRONICS CORPORATION IT IS SUBJECT TO CHANGE AND THE CONTROLLING ENGINEERING ORGANIZATION SHOULD BE CONTACTED FOR THE LATEST REVISION. CE PLAN EST UN DOCUMENT CONTRÔLÉ PAR TYCO ELECTRONICS INCORPORATED. IL EST SUSCEPTIBLE D'ÊTRE REVISÉ. CONTACTER LE SERVICE CLIENT DE TYCO ELECTRONICS FRANCE POUR OBTENIR LA DERNIÈRE RÉVISION.		DWN/DESSINE <b>M. POLIFONTE</b> 10MAY2007	Tyco Electronics France SAS 95300 Pontoise, France
DIMENSIONS: mm	TOLERANCES UNLESS OTHERWISE SPECIFIED: (SU/V) NO DE DECIMALES 0 DEC/DEC/4 1 DEC/DEC/4 2 DEC/DEC/4 ±0.2 3 DEC/DEC/4 4 DEC/DEC/4 5 DEC/DEC/4 ANGLES ±5° FINISH SEE TABLE	CHK/VERIFIE <b>X. ROULLARD</b> 10MAY2007	NAME <b>MQS SOCKET HOUSING 12 POS          GENERATION II          module 12 voies generation II</b>
MATERIAL SEE TABLE	APVD/APROUVE <b>J. DAHER</b> 10MAY2007	PRODUCT SPEC SPEC. PRODUIT <b>108-15261</b>	SIZE FORMAT <b>A2</b>
	APPLICATION SPEC SPEC. APPLICATION <b>411-15565</b>	WEIGHT MASSE APPROX. <b>2g</b>	CAGE CODE <b>1379219</b>
	CUSTOMER DRAWING /PLAN CLIENT	UNIQUEMENT POUR REFERENCE	DRAWING NO No PLAN <b>1379219</b>
	SCALE ECHELLE <b>4:1</b>	SHEET FEUILLE <b>1</b>	OF DE <b>1</b>
		REV <b>B</b>	RESTRICTED TO RESERVE A <b>-</b>