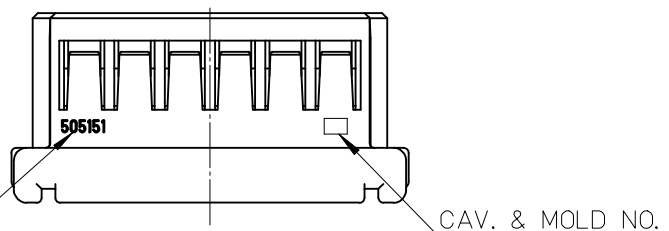
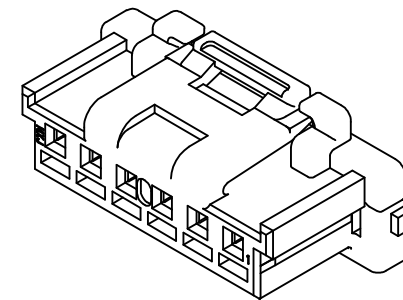
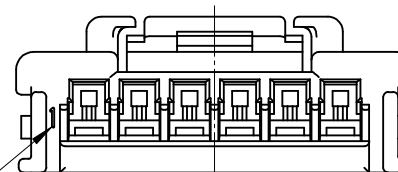
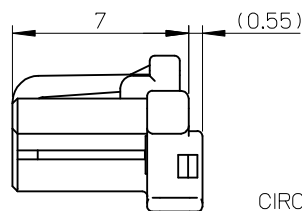
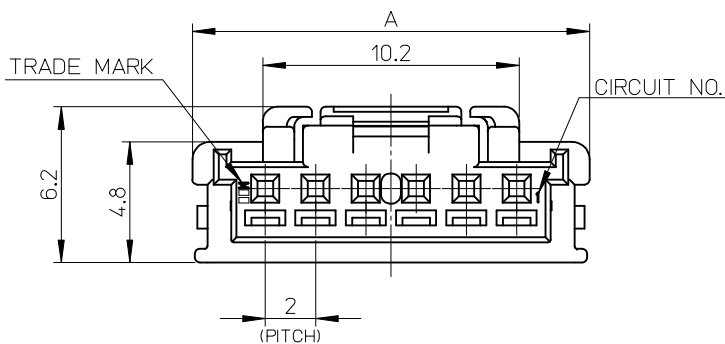
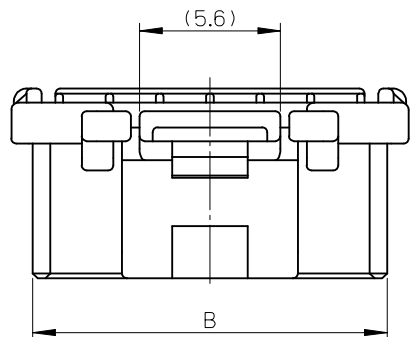


10 9 8 7 6 5 4 3 2 1



60KTS

NOTES

1. 材料: PA, UL94V-2
MATERIAL: PA, UL94V-2
2. 色: 黒
COLOR: BLACK
3. 嵌合端子: 505153, 505487 シリーズ
APPLICABLE TERMINAL: 505153, 505487 SERIES
4. 嵌合相手: 502352, 560020 シリーズ
MATE WITH: 502352, 560020 SERIES
5. 適合リテーナー: 505152 シリーズ
APPLICABLE RETAINER: 505152 SERIES
6. ELV 及びRoSH適合
ELV AND RoSH COMPLIANT

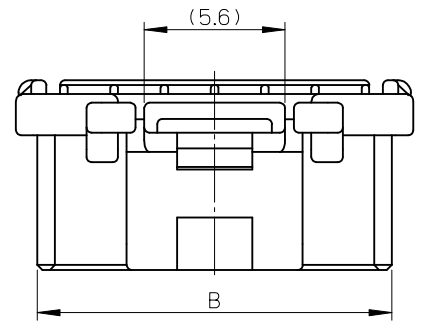
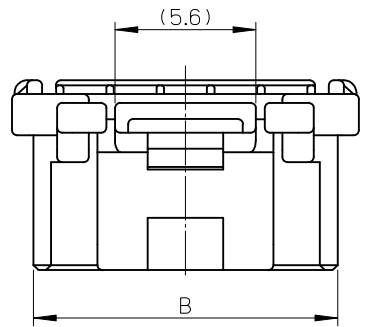
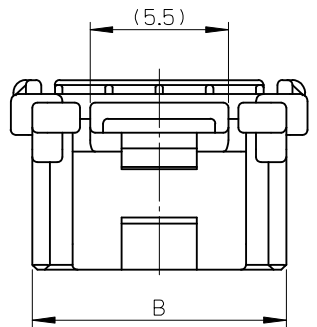
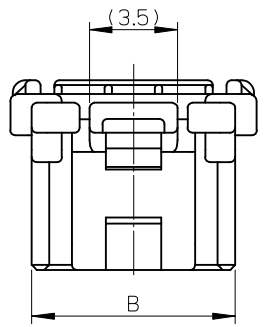
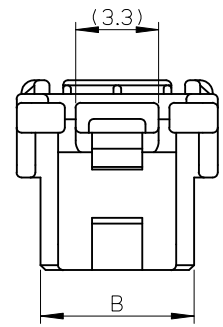
34	34	32.1	33.8	5051511500	15
32	32	30.1	31.8	5051511400	14
30	30	28.1	29.8	5051511300	13
28	28	26.1	27.8	5051511200	12
26	26	24.1	25.8	5051511100	11
24	24	22.1	23.8	5051511000	10
22	22	20.1	21.8	5051510900	9
22.6	20	18.1	19.8	5051510800	8
20.6	18	16.1	17.8	5051510700	7
18.6	16	14.1	15.8	5051510600	6
16.6	14	12.1	13.8	5051510500	5
14.6	12	10.1	11.8	5051510400	4
12.6	10	8.1	9.8	5051510300	3
10.9	8	6.1	8.0	5051510200	2
D	C	B	A	MATERIAL NO.	CIRCUIT

REVISED EC NO: J2016-0503 DRWN: MIKEDA01 2015/11/17 CHKD: KASAKAWA 2015/11/17 APPR: NUKITA 2015/11/17	GENERAL TOLERANCES (UNLESS SPECIFIED)		DIMENSION STYLE MM ONLY		SCALE 5:1	DESIGN UNITS METRIC	THIRD ANGLE PROJECTION
	0.25 UNDER	±0.03	DRAWN BY	DATE	TITLE		
	0.25 OVER 0.5 UNDER	±0.05	MIKEDA01	2014/03/03	2.0MM PITCH W/B CONN. RECEPTACLE HOUSING		
	0.5 OVER 1.0 UNDER	±0.1	CHECKED BY	DATE			
1.0 OVER 10 UNDER	±0.2	KASAKAWA	2014/03/04				
10 OVER 30 UNDER	±0.25	APPROVED BY	DATE	DOCUMENT NO.			
30 OVER	±0.3	NUKITA	2014/03/28	SD-505151-001			
ANGULAR ±3 °		MATERIAL NO.		SHEET NO.			
DRAFT WHERE APPLICABLE MUST REMAIN WITHIN DIMENSIONS		SEE CHART		1 OF 3			
		SIZE A3	THIS DRAWING CONTAINS INFORMATION THAT IS PROPRIETARY TO MOLEX ELECTRONIC TECHNOLOGIES, LLC AND SHOULD NOT BE USED WITHOUT WRITTEN PERMISSION				

9 8 7 6 5 4 3 2 1

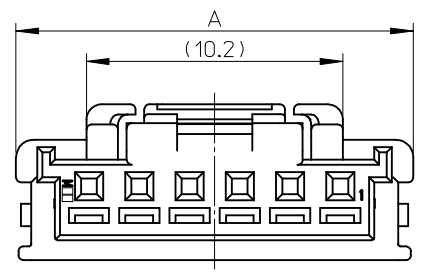
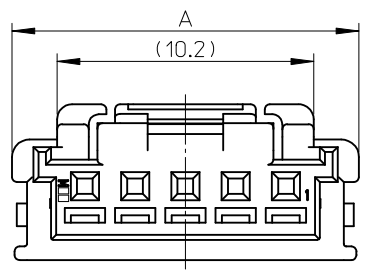
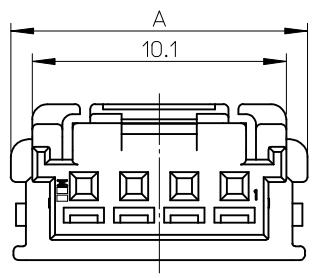
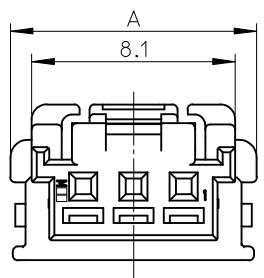
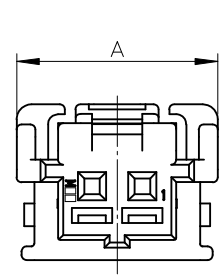
10 9 8 7 6 5 4 3 2 1

F



F

E



E

D

2 CKTS

3 CKTS

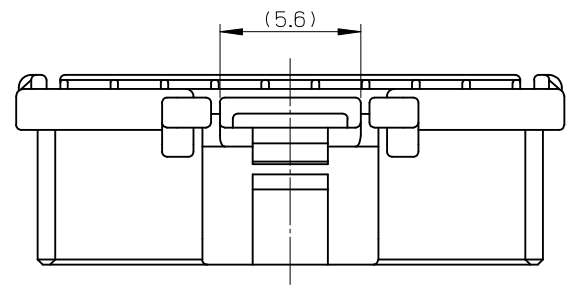
4 CKTS

5 CKTS

6-8 CKTS

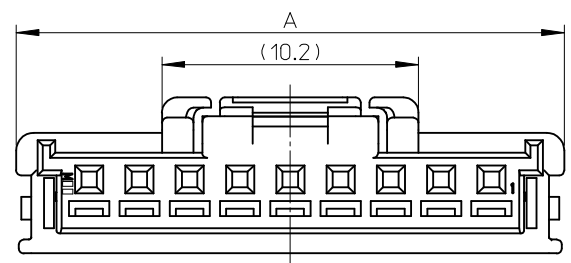
D

C



C

B



B

A

9 CKT OR MORE

A

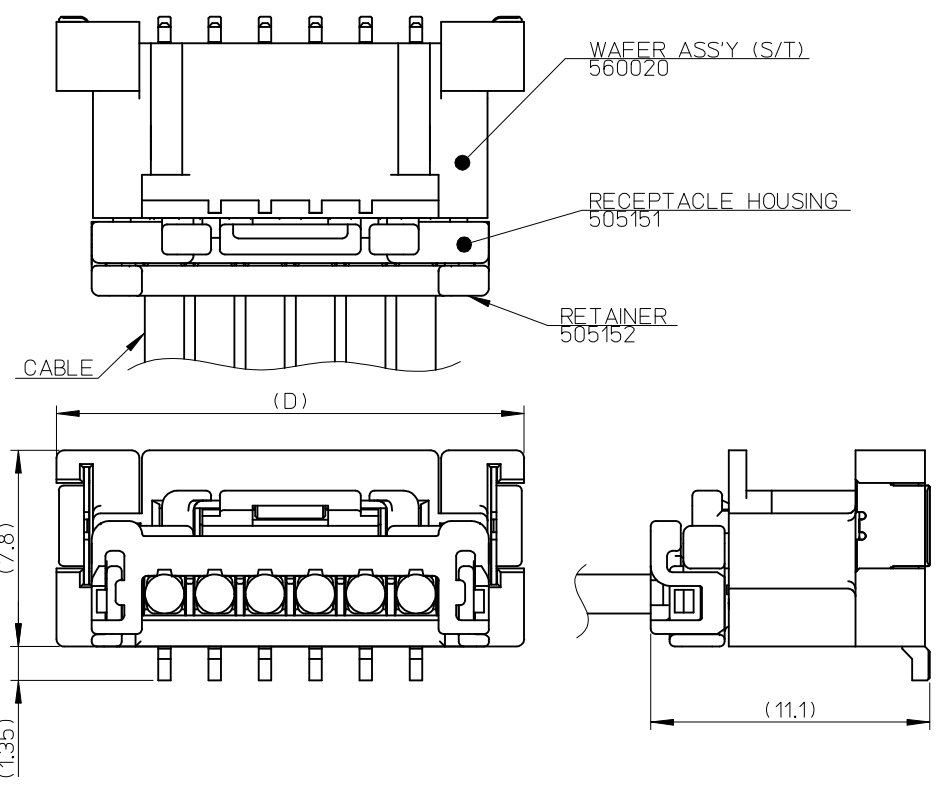
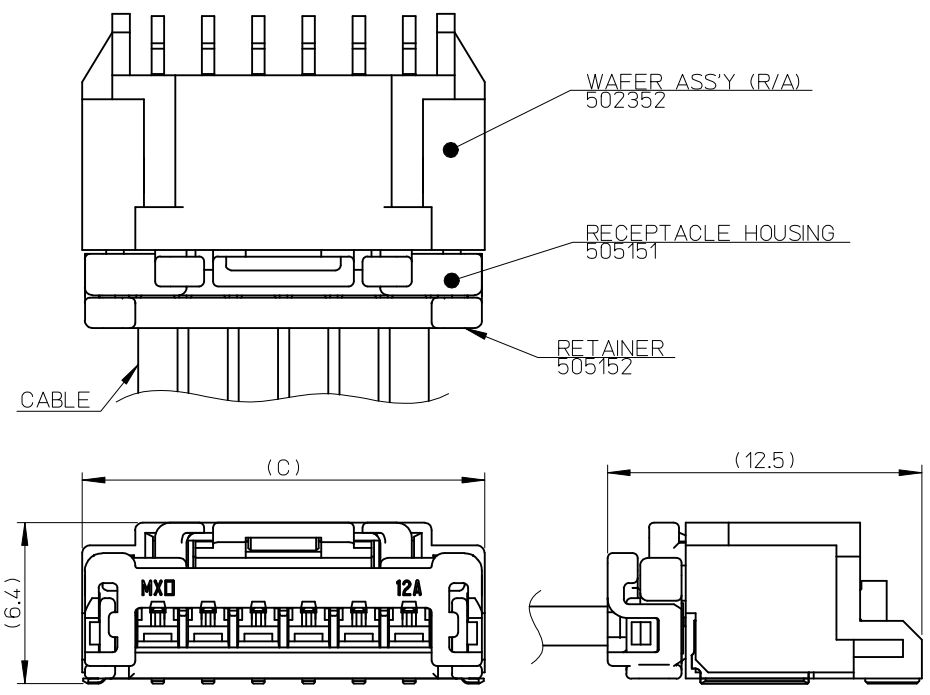
REVISED EC NO: J2016-0503 DRWN: MIKEDA01 2015/11/17 CHKD: KASAKAWA 2015/11/17 APPR: NUKITA 2015/11/17	GENERAL TOLERANCES (UNLESS SPECIFIED)		DIMENSION STYLE MM ONLY		SCALE 5:1	DESIGN UNITS METRIC	THIRD ANGLE PROJECTION
	0.25 UNDER	±0.03	DRAWN BY MIKEDA01	DATE 2014/03/03	TITLE 2.0MM PITCH W/B CONN. RECEPTACLE HOUSING		
	0.25 OVER 0.5 UNDER	±0.05	CHECKED BY KASAKAWA	DATE 2014/03/04	molex DOCUMENT NO. SD-505151-001 SHEET NO. 2 OF 3		
	0.5 OVER 1.0 UNDER	±0.1	APPROVED BY NUKITA	DATE 2014/03/28			
	1.0 OVER 10 UNDER	±0.2	MATERIAL NO.		SEE SHEET 1		
10 OVER 30 UNDER	±0.25	DRAFT WHERE APPLICABLE MUST REMAIN WITHIN DIMENSIONS		THIS DRAWING CONTAINS INFORMATION THAT IS PROPRIETARY TO MOLEX ELECTRONIC TECHNOLOGIES, LLC AND SHOULD NOT BE USED WITHOUT WRITTEN PERMISSION			
30 OVER	±0.3	ANGULAR ±3 °					

9 8 7 6 5 4 3 2 1



Right Angle: 502352 series

Straight: 560020 series



REVISED EC NO: J2016-0503 DRWN: MIKEDA01 2015/11/17 CHKD: KASAKAWA 2015/11/17 APPR: NUKITA 2015/11/17	GENERAL TOLERANCES (UNLESS SPECIFIED)		DIMENSION STYLE MM ONLY		SCALE 5:1	DESIGN UNITS METRIC	THIRD ANGLE PROJECTION
	0.25 UNDER	±0.03	DRAWN BY MIKEDA01	DATE 2014/03/03	TITLE 2.0MM PITCH W/B CONN. RECEPTACLE HOUSING		
	0.25 OVER 0.5 UNDER	±0.05	CHECKED BY KASAKAWA	DATE 2014/03/04			
	0.5 OVER 1.0 UNDER	±0.1	APPROVED BY NUKITA	DATE 2014/03/28	molex DOCUMENT NO. SD-505151-001 SHEET NO. 3 OF 3		
	1.0 OVER 30 UNDER	±0.25	MATERIAL NO. SEE SHEET 1				
	30 OVER	±0.3	SIZE A3		THIS DRAWING CONTAINS INFORMATION THAT IS PROPRIETARY TO MOLEX ELECTRONIC TECHNOLOGIES, LLC AND SHOULD NOT BE USED WITHOUT WRITTEN PERMISSION		
ANGULAR ±3 °		DRAFT WHERE APPLICABLE MUST REMAIN WITHIN DIMENSIONS					