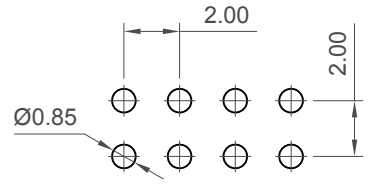
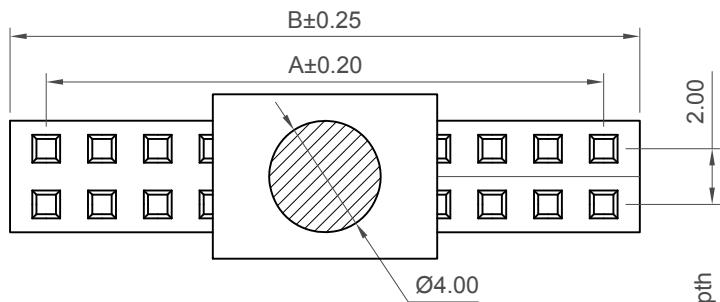
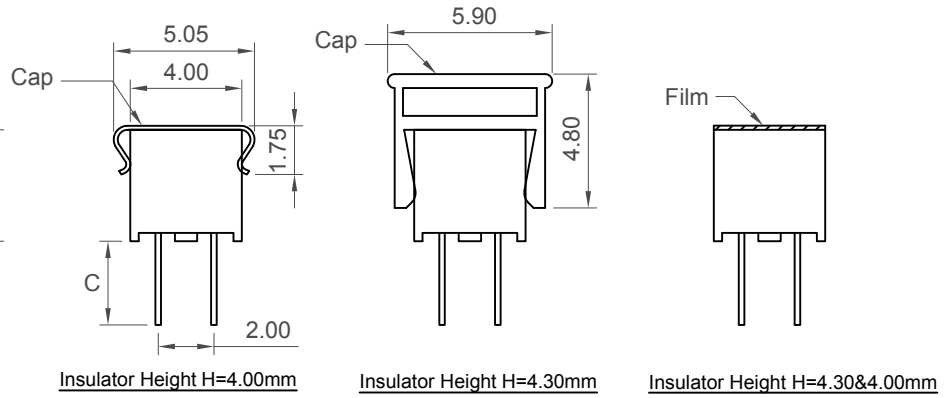
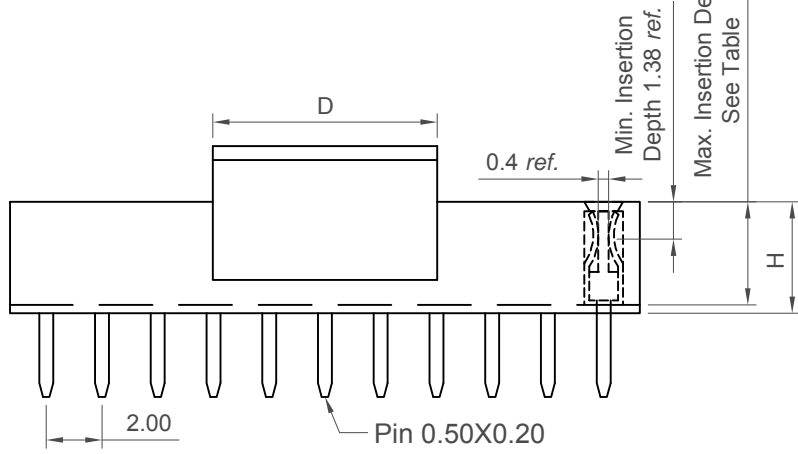
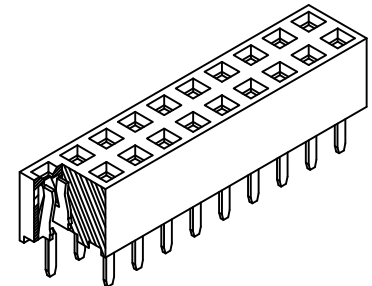


H  
G  
F  
E  
D  
C  
B  
A



Recommended PCB Layout



No. of Contacts	Dimensions	
	A	B
4	2.0	4.6
6	4.0	6.6
8	6.0	8.6
10	8.0	10.6
12	10.0	12.6
14	12.0	14.6
16	14.0	16.6
18	16.0	18.6
20	18.0	20.6
22	20.0	22.6
24	22.0	24.6
26	24.0	26.6
28	26.0	28.6
30	28.0	30.6
32	30.0	32.6
34	32.0	34.6
36	34.0	36.6
38	36.0	38.6
40	38.0	40.6
42	40.0	42.6
44	42.0	44.6
46	44.0	46.6
48	46.0	48.6
50	48.0	50.6
52	50.0	52.6
54	52.0	54.6
56	54.0	56.6
58	56.0	58.6
60	58.0	60.6
62	60.0	62.6
64	62.0	64.6
66	64.0	66.6
68	66.0	68.6
70	68.0	70.6
72	70.0	72.6
74	72.0	74.6
76	74.0	76.6
78	76.0	78.6
80	78.0	80.6

Specifications

**Material**  
**Insulator:**  
 Standard: Polyamide, Nylon 6T, UL 94V-0  
 Options: Polymer, LCP, UL 94V-0  
**Contact:** Phosphor Bronze

**Plating**  
 See Ordering Grid

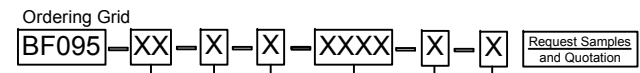
**Electrical**  
 Current Rating: 2 Amp per pin  
 Contact Resistance: 20 mΩ max.  
 Insulation Resistance: 1000 MΩ min.  
 Dielectric Withstand Voltage: 500 V AC

**Mechanical & Environmental**  
 Operating Temperature: -40°C to +105°C

Insulator Height H	No. of Contacts	Dimension D	Max. Insertion Depth
4.30	04 ~ 10	4	4.00
	12 ~ 80	8.05	
4.00	04 ~ 80	5	3.70

**Soldering process:**  
 Nylon 6T (Standard)-  
 IR Reflow: 260°C for 10 sec.  
 Wave: 230°C for 5-10 sec.  
 Manual solder: 350°C for 3-5 sec  
 LCP (Option)-  
 IR Reflow: 260°C for 10 sec.  
 Wave: 250°C for 5-10 sec.  
 Manual solder: 350°C for 3-5 sec

**Mates with (subject to pin length):**  
 BF030 BF045 BF050 BF055  
 BF060 BF135 BF140 BF145



**No. of Contacts**  
 04 to 80

**Contact Plating**  
**A = Gold Flash All Over (Standard)**  
 B = Selective Gold Flash Contact Area/  
 Tin On Tail  
 C = Tin All Over  
 G = 10µ" Gold Contact Area/Tin On Tail  
 I = 30µ" Gold Contact Area/Tin On Tail

**Insulator (Height 'H')**  
 D = 4.30mm (Standard)  
 C = 4.00mm

**Packing Options**  
**D = Tube (Standard)**  
 C = Tape & Reel with Film  
 E = Tube with Cap  
 F = Tube with Film  
 G = Plastic Box

**Insulator Material**  
**N = Nylon 6T (Standard)**  
 L = LCP

**Dimension C (1/100mm) (Tail Length)**  
**'H' = 4.00mm: 0280 = 2.80mm (Standard)**  
**'H' = 4.30mm: 0240 = 2.40mm (Standard)**  
 Or specify Dimension C  
 e.g. 2.50mm = 0250  
 TOL +/- 0.2mm

Part Number		Product Description	
BF095		2.00mm Pitch Socket	
Drawing Date		Dual Row, Through Hole, Vertical	
31st October 2007			
By	CC	Tolerances (Except as Noted)	Units:
Detail	BF095 E PCN	Length X. ± 0.30 X.X ± 0.20 X.XX ± 0.15 X.XXX ± 0.10	Metric (mm)
Revision	E3	Angle X.° ± 5° X.X° ± 2° X.XX° ± 1° X.XXX° ± 0.5°	3rd Angle Projection
Date	21/06/19		



This drawing is confidential and copyright of Global Connector Technology, Ltd (GCT). This drawing must not be copied or disclosed without written consent. E & OE



Not to Scale	Drawn By LYH	Sheet No. 1/1
--------------	--------------	---------------

# Mouser Electronics

Authorized Distributor

Click to View Pricing, Inventory, Delivery & Lifecycle Information:

## [Global Connector Technology \(GCT\):](#)

[BF095-08-A-D-0240-N-D](#) [BF095-04-A-D-0240-N-D](#) [BF095-06-A-D-0240-N-D](#) [BF095-10-A-D-0240-N-D](#) [BF095-12-A-D-0240-N-D](#) [BF095-14-A-D-0240-N-D](#) [BF095-16-A-D-0240-N-D](#) [BF095-18-A-D-0240-N-D](#) [BF095-20-A-D-0240-N-D](#) [BF095-22-A-D-0240-N-D](#) [BF095-24-A-D-0240-N-D](#) [BF095-26-A-D-0240-N-D](#) [BF095-28-A-D-0240-N-D](#) [BF095-30-A-D-0240-N-D](#) [BF095-32-A-D-0240-N-D](#) [BF095-34-A-D-0240-N-D](#) [BF095-36-A-D-0240-N-D](#) [BF095-38-A-D-0240-N-D](#) [BF095-40-A-D-0240-N-D](#) [BF095-42-A-D-0240-N-D](#) [BF095-44-A-D-0240-N-D](#) [BF095-46-A-D-0240-N-D](#) [BF095-48-A-D-0240-N-D](#) [BF095-50-A-D-0240-N-D](#) [BF095-52-A-D-0240-N-D](#) [BF095-54-A-D-0240-N-D](#) [BF095-56-A-D-0240-N-D](#) [BF095-58-A-D-0240-N-D](#) [BF095-60-A-D-0240-N-D](#) [BF095-62-A-D-0240-N-D](#) [BF095-64-A-D-0240-N-D](#) [BF095-66-A-D-0240-N-D](#) [BF095-68-A-D-0240-N-D](#) [BF095-70-A-D-0240-N-D](#) [BF095-72-A-D-0240-N-D](#) [BF095-74-A-D-0240-N-D](#) [BF095-76-A-D-0240-N-D](#) [BF095-78-A-D-0240-N-D](#) [BF095-80-A-D-0240-N-D](#)