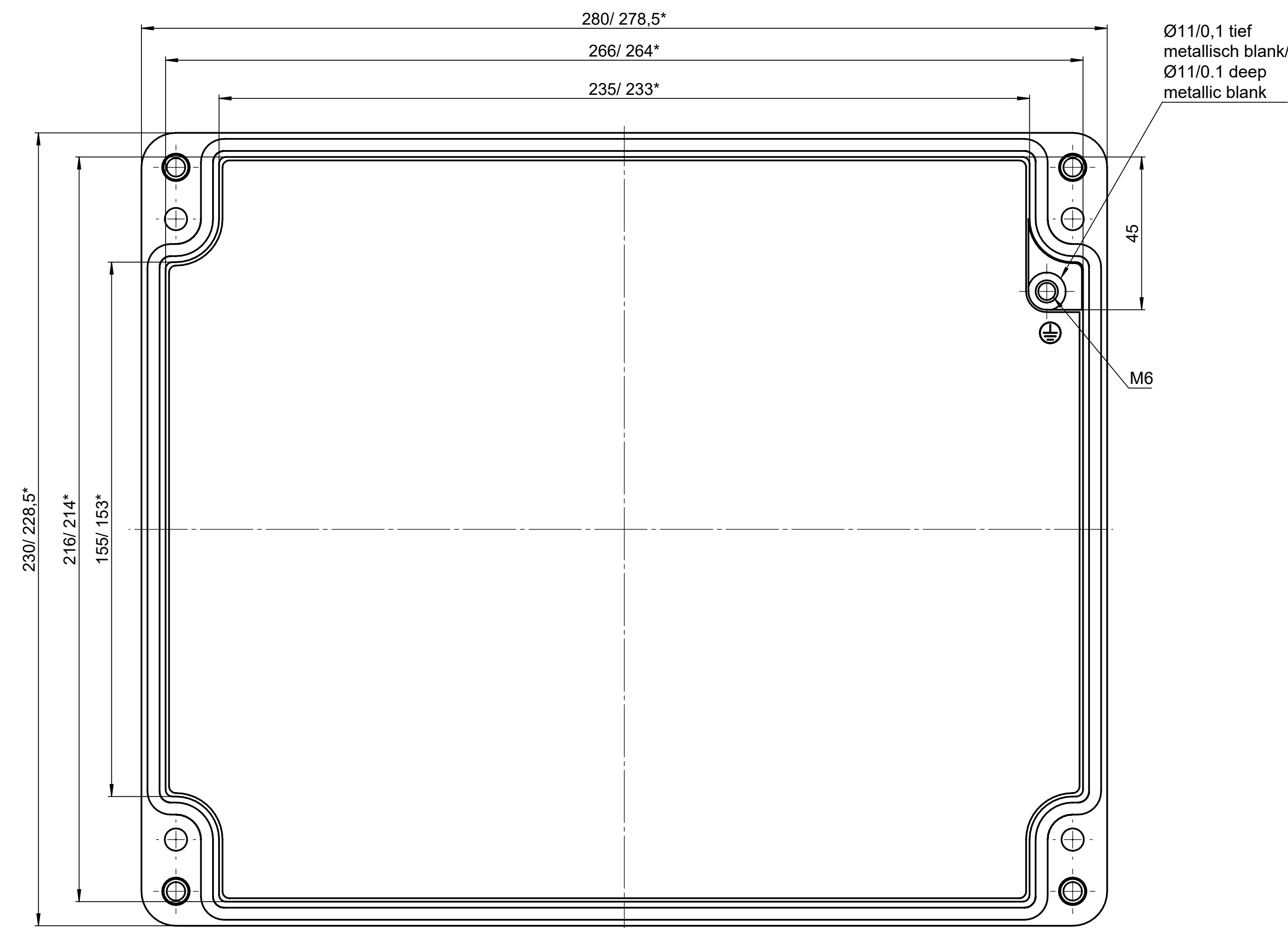
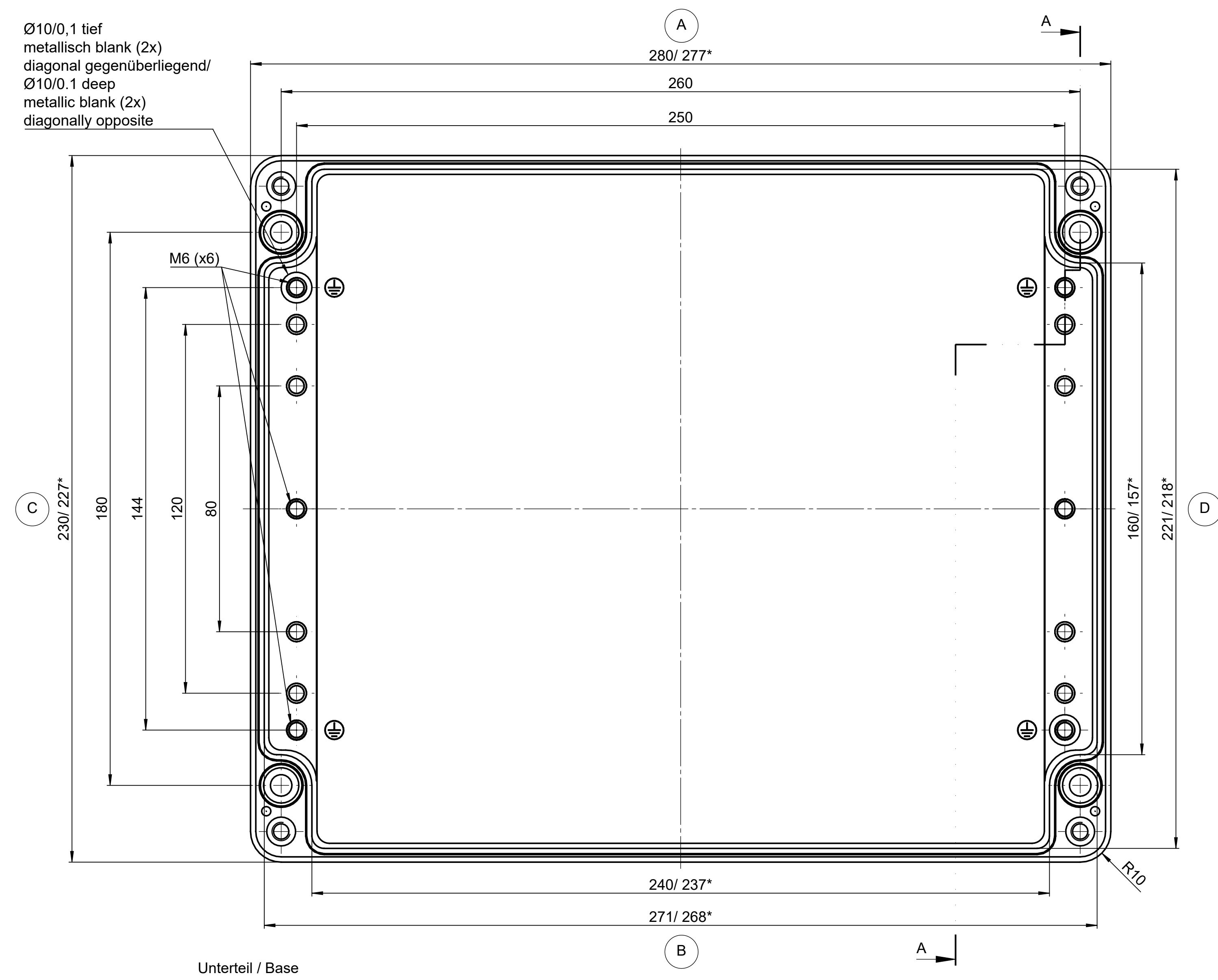


All rights reserved. No copies
 from this drawing may be made
 or used in any way
 without the written permission
 of the manufacturer.

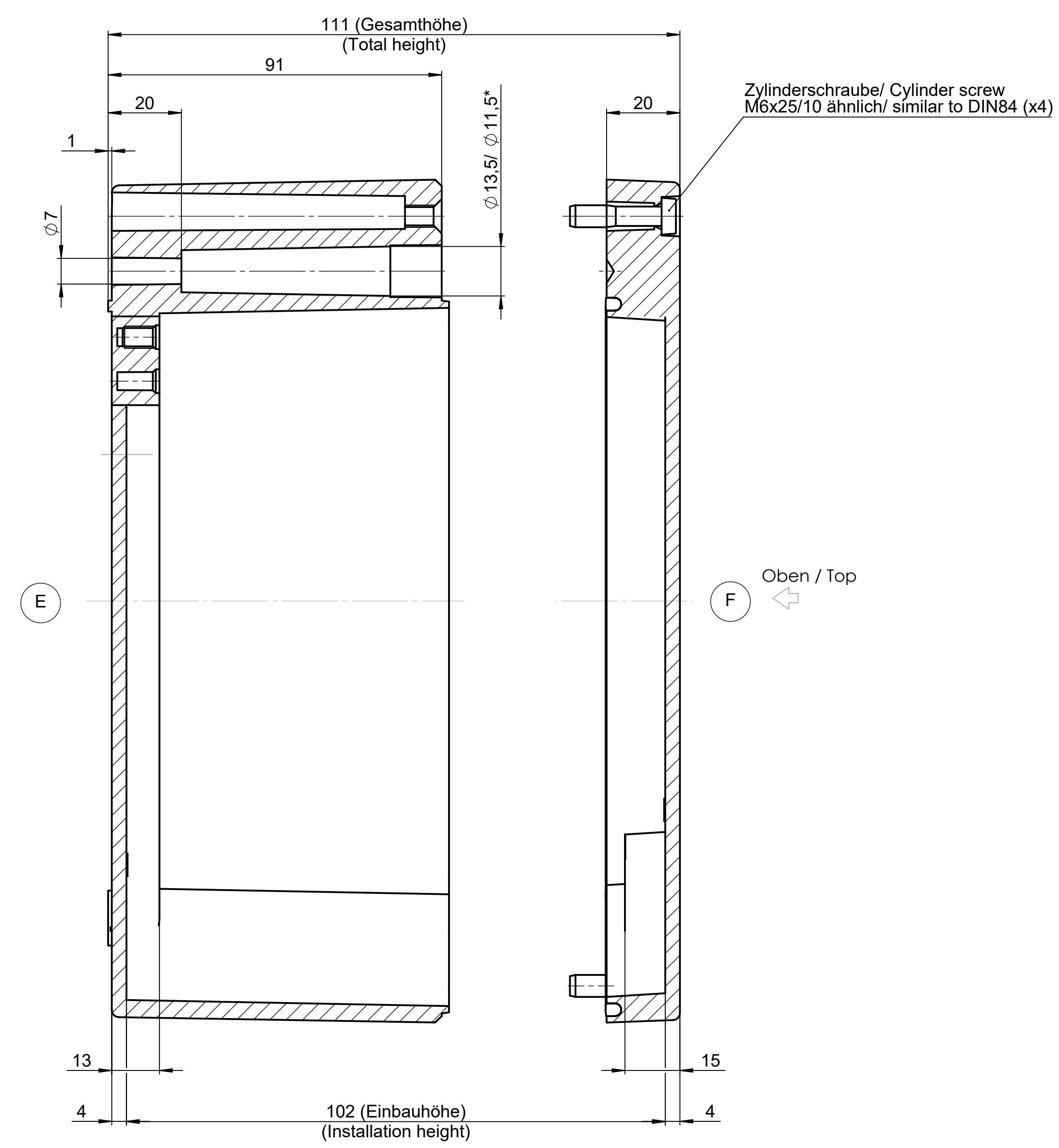


Deckel / Lid

* = Mass durch Formkonizität nach unten verringert.
 Freimass - Toleranz nach GTA 13/5 - DIN 1688
 * = Dimensions reduced in the lower part by mould incline
 General tolerances according to GTA 13/5 - DIN 1688



Unterteil / Base



Index		Änderung/Modification		Datum/Date		Name		Projekt-Nr./Project-no.	
ROSE		Systemtechnik GmbH		09.11.16		D.Mac		3.20kg	
1:1		32457 Porta Westfalica		27.01.21		A.Hel		Gewicht/Weight	
DIN A0		Benennung/Description		Erstellt/created		Geprüft/checked		Werkstoff/Material	
		Aluminium Gehäuse						DIN 1688-GTA 13/5	
		Aluminium enclosure						KAT01.232811	

Mouser Electronics

Authorized Distributor

Click to View Pricing, Inventory, Delivery & Lifecycle Information:

[Phoenix Mecano:](#)

[012328110](#) [012328118](#)