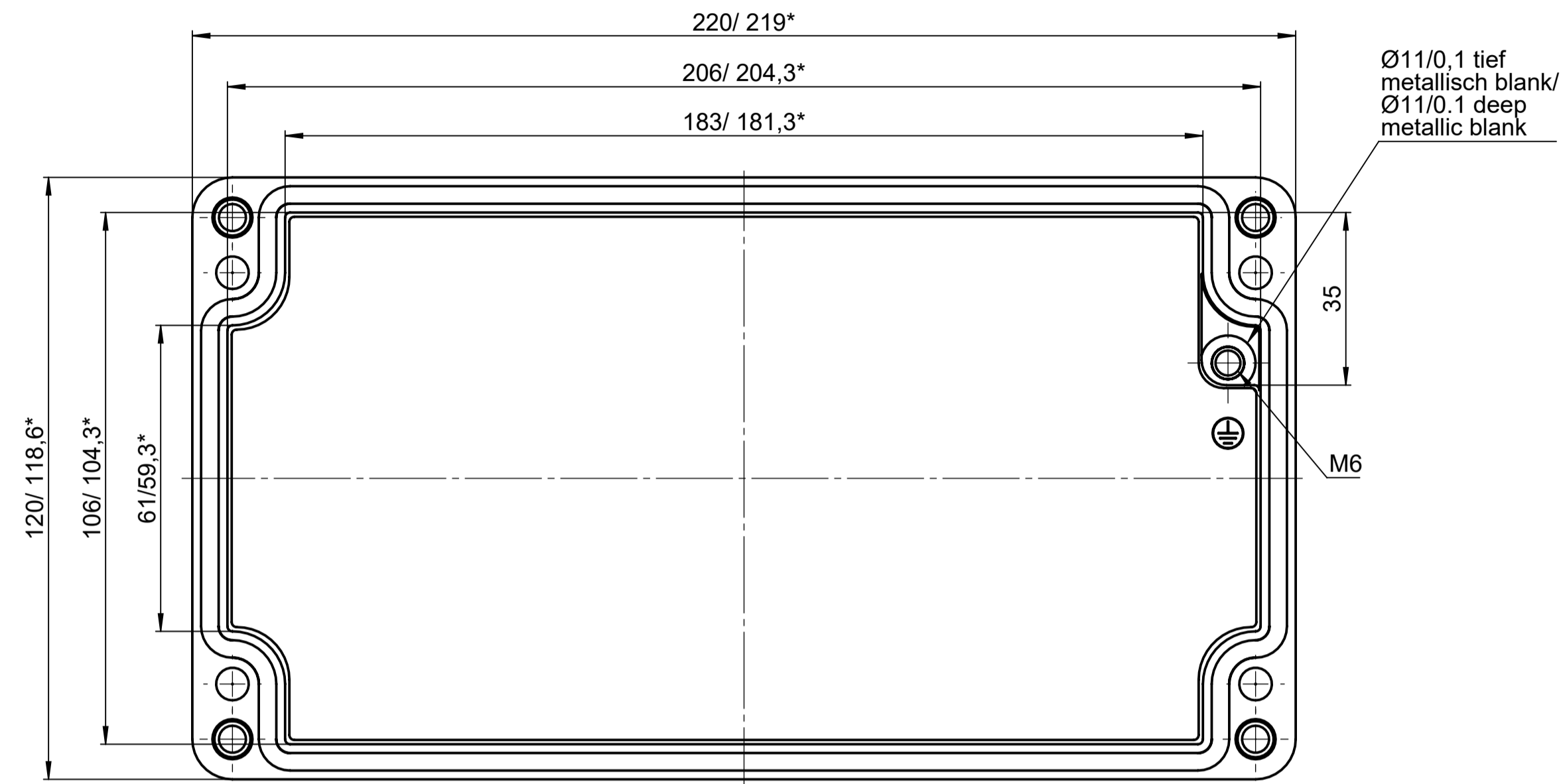


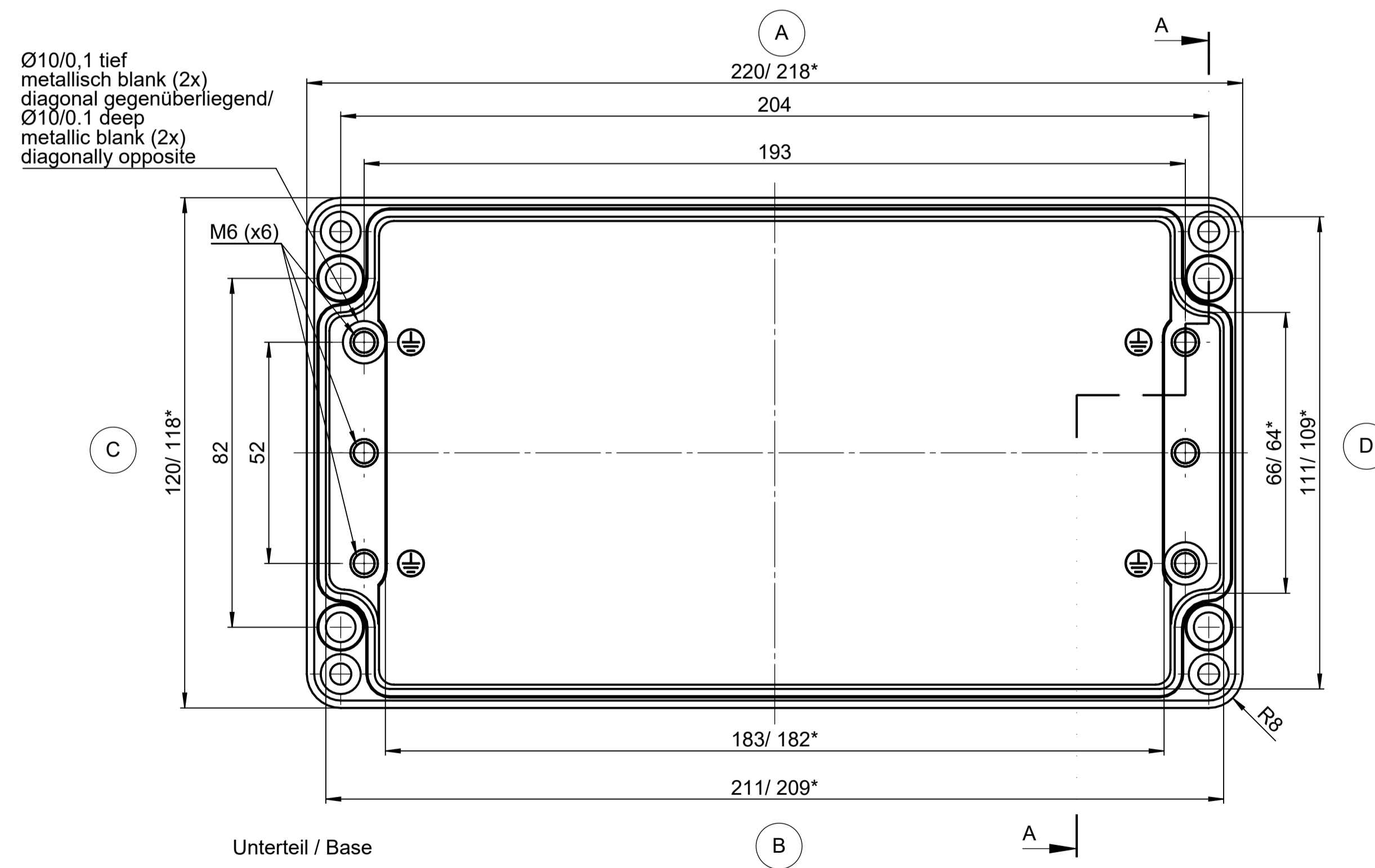
Für diese techn. Unterlage behalten wir uns alle Rechte vor. This drawing may be used for manufacturing or for other purposes without the written consent of ROSE. Drawing may not be reproduced, stored in a retrieval system or measured in any way.

All rights reserved. No copies or reproductions of this drawing may be made without the written consent of ROSE. Drawing may not be reproduced, stored in a retrieval system or measured in any way.

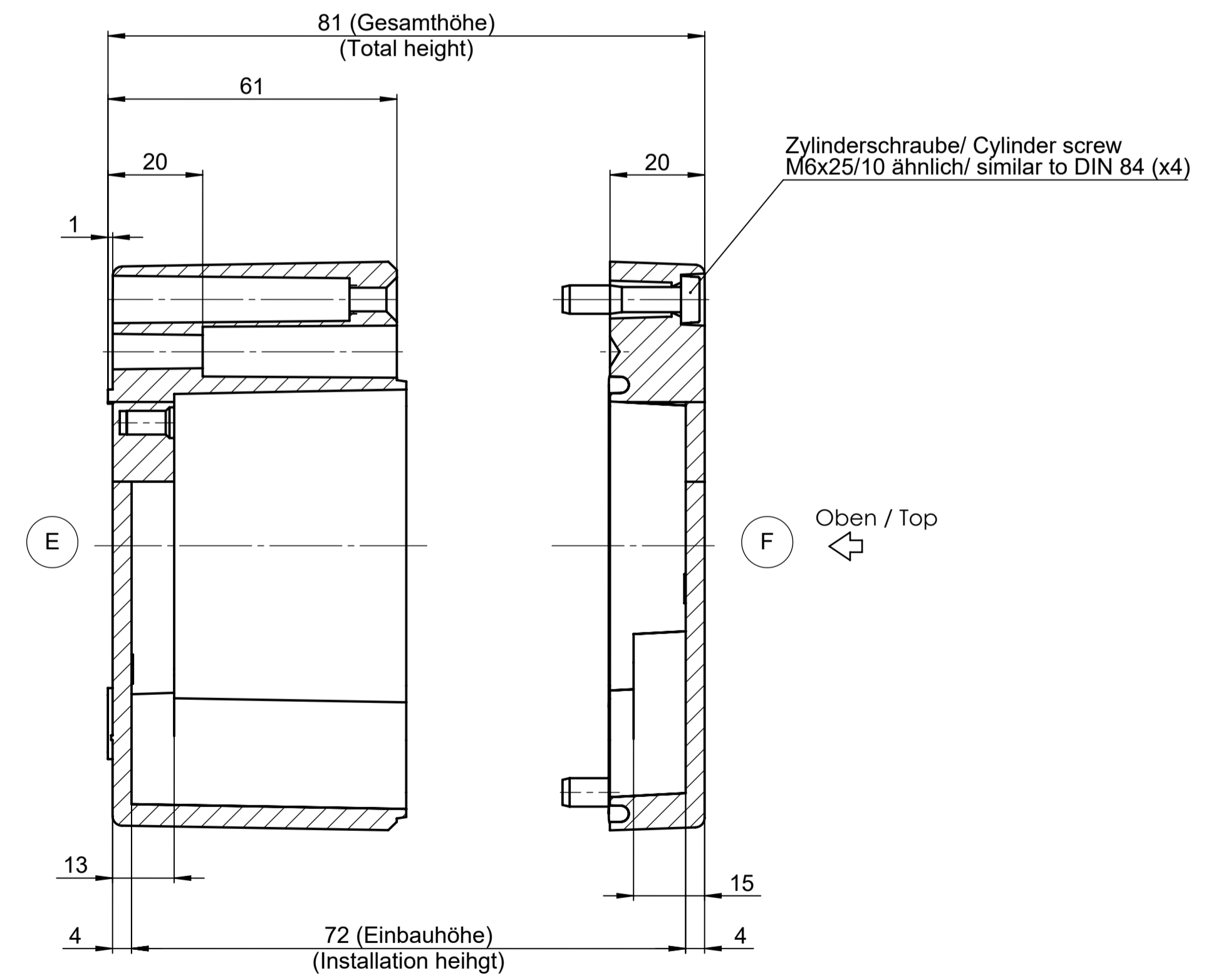


Deckel / Lid

* = Mass durch Formkonizität nach unten verringert.
Freimass - Toleranz nach GTA 13/5 - DIN 1688
* = Dimensions reduced in the lower part by mould incline
General tolerances according to GTA 13/5 - DIN 1688



Unterteil / Base



Index		Änderung/Modification		Änd. Nr. / Mod. Nr.	Datum/Date/Name	Projekt-Nr./project-no.	
ROSE		Systemtechnik GmbH 32457 Porta Westfalica		erstellt: created:	03.09.14 D.Mac.	Farbe/color Gewicht/weight 1.40kg	
Maßstab Scale 1:1		Benennung/Description Aluminium Standard Aluminium enclosure		geprüft: checked:	27.01.21 A.Hel.	Oberfläche/Surface Freimillertoleranz open tolerances Werkstückanten/Edges	
DIN A1		Zeilung-Nr./Drawing-No.				Ersatz für Replacement for Bemerkung/Note	
						KAT01.122208	

Mouser Electronics

Authorized Distributor

Click to View Pricing, Inventory, Delivery & Lifecycle Information:

[Phoenix Mecano:](#)

[02221000](#)