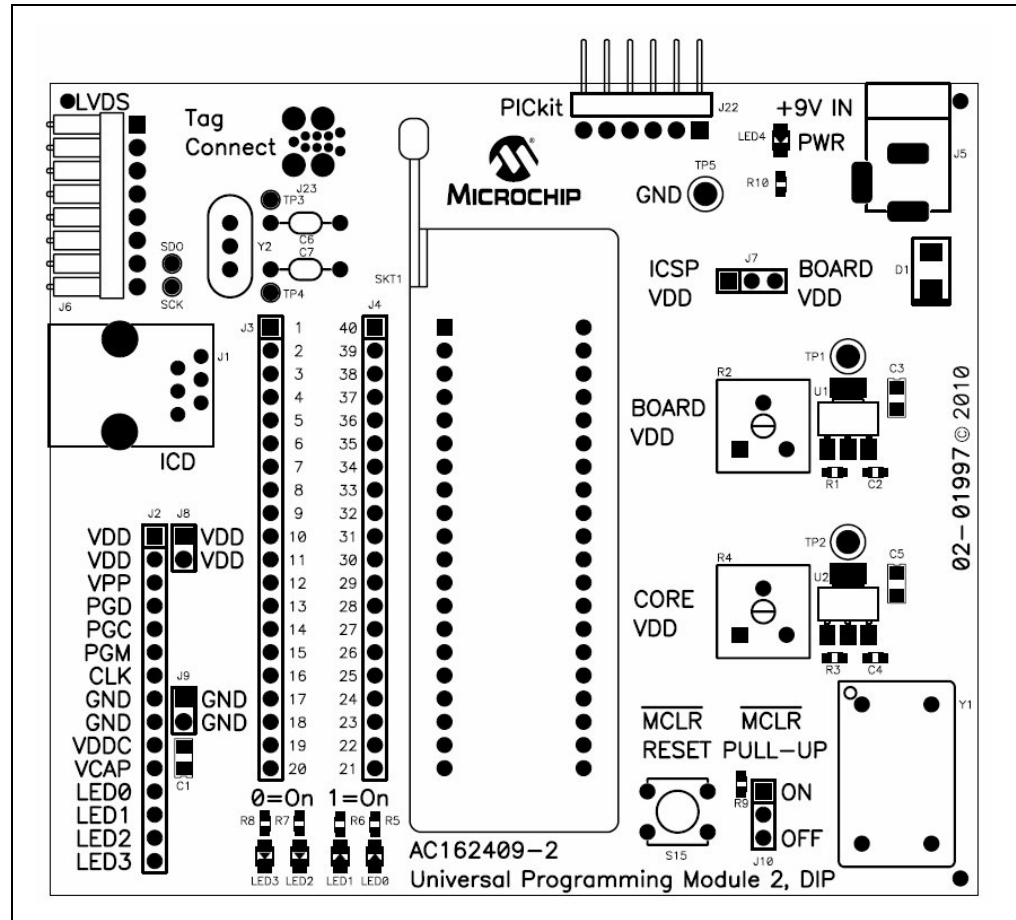


Universal Programming Module 2

OVERVIEW

The Universal Programming Module (UPM) 2 is a handy, low-cost board that supports the programming of Microchip devices using MPLAB[®] in-circuit emulators and debuggers. The UPM can also be used with the MPLAB PM3 to ICD Adapter (AC164111) for in-circuit programming with the MPLAB PM3. The Zero Insertion Force (ZIF) socket in the UPM supports the programming of devices in DIP packages up to 40 pins with the aforementioned development tools.

FIGURE 1: BOARD CONFIGURATION



Universal Programming Module 2

CONFIGURATION

- Debugger/Programmer Connectors:** The debugger/programmer input connectors are located at J1, J6, J22 and J23 (all signals are mapped to J2).
 - J1 (ICD): RJ-11 connector used with the MPLAB ICD 3 in-circuit debugger, the MPLAB REAL ICE™ in-circuit emulator (using the standard driver board) and the MPLAB PM3 programmer
 - J6 (LVDS): Used with MPLAB REAL ICE Performance Pak (AC244002)
 - J22 (PICKit): Used with PICKit™ series programmers/debuggers
 - J23 (Tag Connect): Used with tag-connect in-circuit programming cables (TC2030-MCP)
- J2 Connector:** The J2 connector contains all of the signals for programming and/or debugging. These lines must be connected to pins marked 1 through 40 on the two 20-pin headers (J3 and J4) using the supplied jumper wires. The following are the required connections needed for programming and/or debugging (see the device data sheet or programming specification for specific pinouts).
 - PGC: Programming clock from debugger
 - PGD: Programming data from debugger
 - VDD: Device VDD from debugger or on-board voltage regulator
 - VPP: Programming voltage/master clear input (from debugger/board)
 - GND: Device Vss pin

Optional signals needed for programming and/or debugging (see device data sheet or programming specification for specific requirements):

 - PGM: Low voltage programming pin (from debugger)
 - VDDC: Voltage for VCAP/VDDCORE pin (from on-board CORE VDD regulator)
 - VCAP: Capacitor for VCAP/VDDCORE pin
 - CLK: Clock oscillator input (from Y1)
 - LED0-LED3 (connected to on-board LEDs)
- J3 and J4 Connectors:** These header pins map directly to the 40 pins of the device ZIF socket. For devices with less than 40 pins, J5 numbering will not match the device numbering, e.g., for a 20-pin device, J4 pin 40 will be device pin 20, J4 pin 39 will be device pin 19, etc. Consult the device data sheet for the proper jumper configuration. Further, the release notes for the tool in use may also offer other detailed information about programming the device. Release notes for MPLAB IDE v8 and earlier may be found under the Help menu. Release notes for MPLAB X IDE may be found on the Start Page under “Release Notes and Support Documentation”.
- Power Supply:** Power is supplied to the UPM 2 by either the development tool in use, or the on-board adjustable VDD regulator, but not both. The selection is made by setting Jumper J7 to select either ICSP™ VDD (supplied by debugger) or Board VDD (supplied by on-board regulator). The UPM 2 contains rudimentary on-board debugging resources. The UPM2 has two on board adjustable regulators that each require an optional separate 9V power supply (AC162039).
 - BOARD VDD: Adjusts from 1.2V-5.5V (J7 needs to be in the BOARD VDD position)
 - CORE VDD: Adjusts from 1.2V-2.7V. Used to supply the VDDCORE/VCAP pin voltage

5. **Debugging Resources:** The UPM 2 contains rudimentary on-board debugging resources:
- Clock oscillator Y1 (connected directly to the CLK pin at J2)
 - HS/XT/LP crystal/capacitor sockets (Y2, C6 and C7), to be connected to the appropriate pins at J3-J4
 - Master Clear pull-up at J10 (47 k Ω resistor connected to VDD)
 - Master Clear reset button (S15)
 - LED0-LED3 (connected to the LEDx pins at J2 (LED0 and LED1 are active high, LED2 and LED3 are active low))

LOADING/PROGRAMMING A DEVICE

The ZIF socket (SKT1) will support up to 40-pin DIP packaged devices. Verify that power is removed prior to inserting the device into the ZIF socket. Also, the handle for the ZIF socket should be in the unlocked position. The device should drop in with zero force. Insert the device so that the top is aligned with the top of the ZIF socket (i.e., pin 1 to pin 1). Once the device is inserted, set the handle on the socket to the fully locked position.

REMOVING A DEVICE

When programming a device, wait until MPLAB IDE or MPLAB PM3 in Stand-Alone mode acknowledge that programming is complete. When debugging a device, ensure the device is halted. Then remove power from the module by either unplugging the power cord (if powered by power supply) or the tool connection (if powered by tool). Unlock the ZIF socket to lift out the device, which should be able to be removed without any resistance.

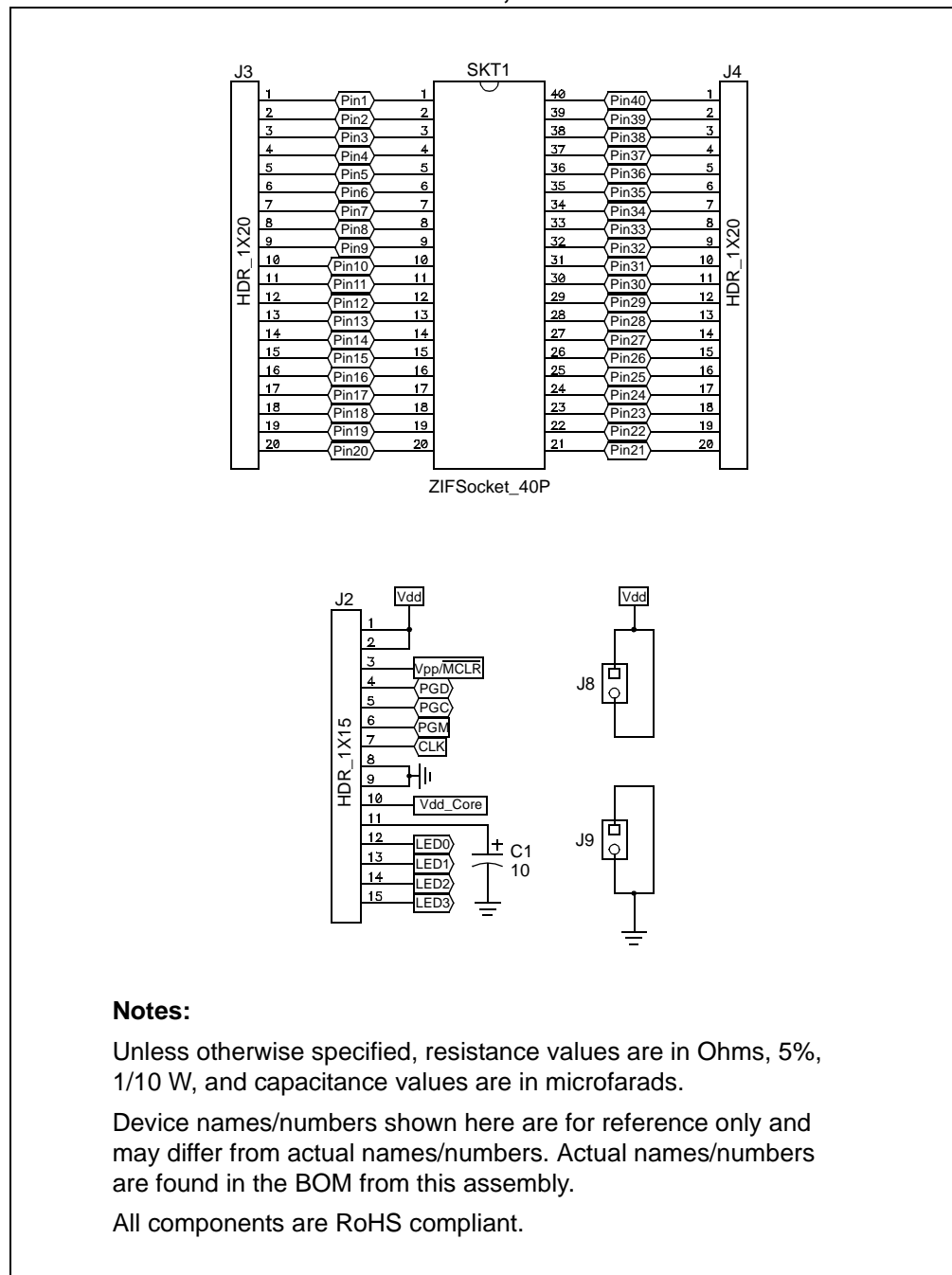
DO NOT remove the device while any debugging or programming operation is occurring or while power is applied.

RESOLVING PROGRAMMING/CONNECTION ISSUES

A capacitor (0.1 uF to 10 uF) may need to be placed between VDD and VSS.

Universal Programming Module 2

FIGURE 2: BOARD SCHEMATICS, PART 1



Notes:

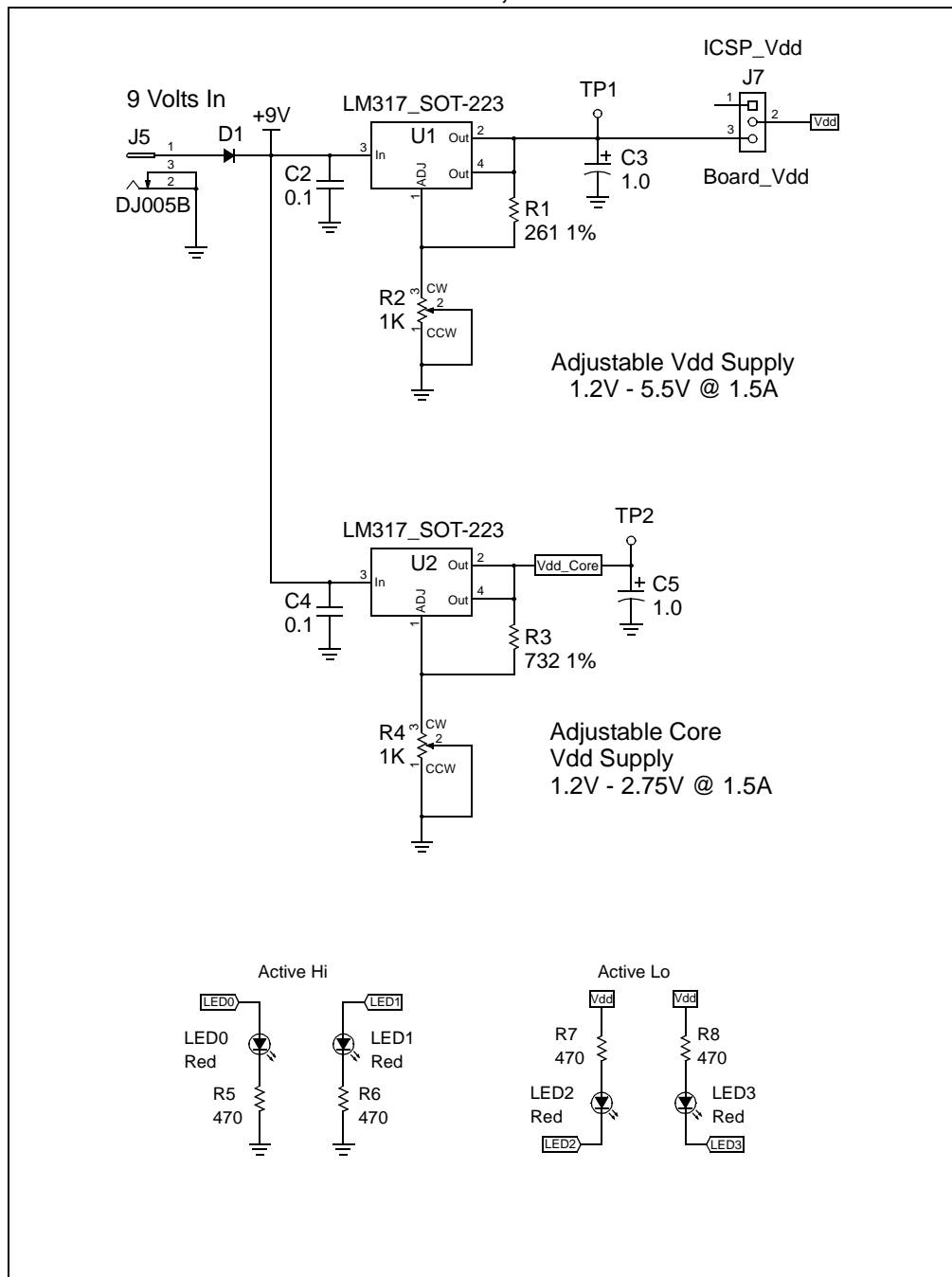
Unless otherwise specified, resistance values are in Ohms, 5%, 1/10 W, and capacitance values are in microfarads.

Device names/numbers shown here are for reference only and may differ from actual names/numbers. Actual names/numbers are found in the BOM from this assembly.

All components are RoHS compliant.

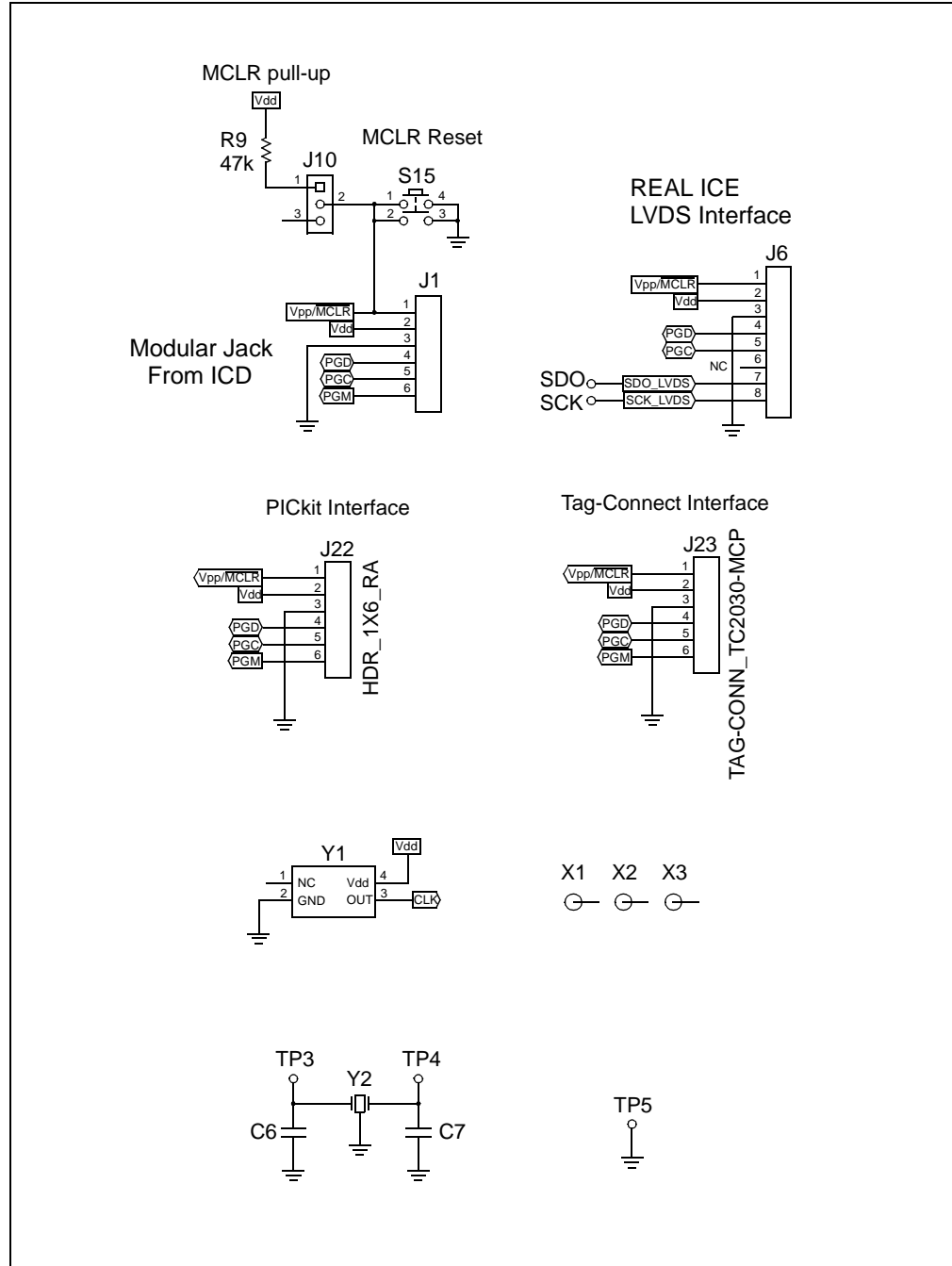
Universal Programming Module 2

FIGURE 3: BOARD SCHEMATICS, PART 2



Universal Programming Module 2

FIGURE 4: BOARD SCHEMATICS, PART 3



Note the following details of the code protection feature on Microchip devices:

- Microchip products meet the specification contained in their particular Microchip Data Sheet.
- Microchip believes that its family of products is one of the most secure families of its kind on the market today, when used in the intended manner and under normal conditions.
- There are dishonest and possibly illegal methods used to breach the code protection feature. All of these methods, to our knowledge, require using the Microchip products in a manner outside the operating specifications contained in Microchip's Data Sheets. Most likely, the person doing so is engaged in theft of intellectual property.
- Microchip is willing to work with the customer who is concerned about the integrity of their code.
- Neither Microchip nor any other semiconductor manufacturer can guarantee the security of their code. Code protection does not mean that we are guaranteeing the product as “unbreakable.”

Code protection is constantly evolving. We at Microchip are committed to continuously improving the code protection features of our products. Attempts to break Microchip's code protection feature may be a violation of the Digital Millennium Copyright Act. If such acts allow unauthorized access to your software or other copyrighted work, you may have a right to sue for relief under that Act.

Information contained in this publication regarding device applications and the like is provided only for your convenience and may be superseded by updates. It is your responsibility to ensure that your application meets with your specifications. MICROCHIP MAKES NO REPRESENTATIONS OR WARRANTIES OF ANY KIND WHETHER EXPRESS OR IMPLIED, WRITTEN OR ORAL, STATUTORY OR OTHERWISE, RELATED TO THE INFORMATION, INCLUDING BUT NOT LIMITED TO ITS CONDITION, QUALITY, PERFORMANCE, MERCHANTABILITY OR FITNESS FOR PURPOSE. Microchip disclaims all liability arising from this information and its use. Use of Microchip devices in life support and/or safety applications is entirely at the buyer's risk, and the buyer agrees to defend, indemnify and hold harmless Microchip from any and all damages, claims, suits, or expenses resulting from such use. No licenses are conveyed, implicitly or otherwise, under any Microchip intellectual property rights.

Trademarks

The Microchip name and logo, the Microchip logo, dsPIC, KEELOQ, KEELOQ logo, MPLAB, PIC, PICmicro, PICSTART, PIC³² logo, rPIC and UNI/O are registered trademarks of Microchip Technology Incorporated in the U.S.A. and other countries.


FilterLab, Hampshire, HI-TECH C, Linear Active Thermistor, MXDEV, MXLAB, SEEVAL and The Embedded Control Solutions Company are registered trademarks of Microchip Technology Incorporated in the U.S.A.

Analog-for-the-Digital Age, Application Maestro, BodyCom, chipKIT, chipKIT logo, CodeGuard, dsPICDEM, dsPICDEM.net, dsPICworks, dsSPEAK, ECAN, ECONOMONITOR, FanSense, HI-TIDE, In-Circuit Serial Programming, ICSP, Mindi, MiWi, MPASM, MPLAB Certified logo, MPLIB, MPLINK, mTouch, Omniscient Code Generation, PICC, PICC-18, PICDEM, PICDEM.net, PICKIT, PICTail, REAL ICE, rLAB, Select Mode, Total Endurance, TSHARC, UniWinDriver, WiperLock and ZENA are trademarks of Microchip Technology Incorporated in the U.S.A. and other countries.

SQTP is a service mark of Microchip Technology Incorporated in the U.S.A.

All other trademarks mentioned herein are property of their respective companies.

© 2010-2011, Microchip Technology Incorporated, Printed in the U.S.A., All Rights Reserved.

 Printed on recycled paper.

QUALITY MANAGEMENT SYSTEM
CERTIFIED BY DNV
== ISO/TS 16949 ==

Microchip received ISO/TS-16949:2009 certification for its worldwide headquarters, design and wafer fabrication facilities in Chandler and Tempe, Arizona; Gresham, Oregon and design centers in California and India. The Company's quality system processes and procedures are for its PIC[®] MCUs and dsPIC[®] DSCs, KEELOQ[®] code hopping devices, Serial EEPROMs, microperipherals, nonvolatile memory and analog products. In addition, Microchip's quality system for the design and manufacture of development systems is ISO 9001:2000 certified.



MICROCHIP

Worldwide Sales and Service

AMERICAS

Corporate Office
2355 West Chandler Blvd.
Chandler, AZ 85224-6199
Tel: 480-792-7200
Fax: 480-792-7277
Technical Support:
<http://www.microchip.com/support>
Web Address:
www.microchip.com

Atlanta
Duluth, GA
Tel: 678-957-9614
Fax: 678-957-1455

Boston
Westborough, MA
Tel: 774-760-0087
Fax: 774-760-0088

Chicago
Itasca, IL
Tel: 630-285-0071
Fax: 630-285-0075

Cleveland
Independence, OH
Tel: 216-447-0464
Fax: 216-447-0643

Dallas
Addison, TX
Tel: 972-818-7423
Fax: 972-818-2924

Detroit
Farmington Hills, MI
Tel: 248-538-2250
Fax: 248-538-2260

Indianapolis
Noblesville, IN
Tel: 317-773-8323
Fax: 317-773-5453

Los Angeles
Mission Viejo, CA
Tel: 949-462-9523
Fax: 949-462-9608

Santa Clara
Santa Clara, CA
Tel: 408-961-6444
Fax: 408-961-6445

Toronto
Mississauga, Ontario,
Canada
Tel: 905-673-0699
Fax: 905-673-6509

ASIA/PACIFIC

Asia Pacific Office
Suites 3707-14, 37th Floor
Tower 6, The Gateway
Harbour City, Kowloon
Hong Kong
Tel: 852-2401-1200
Fax: 852-2401-3431

Australia - Sydney
Tel: 61-2-9868-6733
Fax: 61-2-9868-6755

China - Beijing
Tel: 86-10-8569-7000
Fax: 86-10-8528-2104

China - Chengdu
Tel: 86-28-8665-5511
Fax: 86-28-8665-7889

China - Chongqing
Tel: 86-23-8980-9588
Fax: 86-23-8980-9500

China - Hangzhou
Tel: 86-571-2819-3187
Fax: 86-571-2819-3189

China - Hong Kong SAR
Tel: 852-2401-1200
Fax: 852-2401-3431

China - Nanjing
Tel: 86-25-8473-2460
Fax: 86-25-8473-2470

China - Qingdao
Tel: 86-532-8502-7355
Fax: 86-532-8502-7205

China - Shanghai
Tel: 86-21-5407-5533
Fax: 86-21-5407-5066

China - Shenyang
Tel: 86-24-2334-2829
Fax: 86-24-2334-2393

China - Shenzhen
Tel: 86-755-8203-2660
Fax: 86-755-8203-1760

China - Wuhan
Tel: 86-27-5980-5300
Fax: 86-27-5980-5118

China - Xian
Tel: 86-29-8833-7252
Fax: 86-29-8833-7256

China - Xiamen
Tel: 86-592-2388138
Fax: 86-592-2388130

China - Zhuhai
Tel: 86-756-3210040
Fax: 86-756-3210049

ASIA/PACIFIC

India - Bangalore
Tel: 91-80-3090-4444
Fax: 91-80-3090-4123

India - New Delhi
Tel: 91-11-4160-8631
Fax: 91-11-4160-8632

India - Pune
Tel: 91-20-2566-1512
Fax: 91-20-2566-1513

Japan - Osaka
Tel: 81-66-152-7160
Fax: 81-66-152-9310

Japan - Yokohama
Tel: 81-45-471-6166
Fax: 81-45-471-6122

Korea - Daegu
Tel: 82-53-744-4301
Fax: 82-53-744-4302

Korea - Seoul
Tel: 82-2-554-7200
Fax: 82-2-558-5932 or
82-2-558-5934

Malaysia - Kuala Lumpur
Tel: 60-3-6201-9857
Fax: 60-3-6201-9859

Malaysia - Penang
Tel: 60-4-227-8870
Fax: 60-4-227-4068

Philippines - Manila
Tel: 63-2-634-9065
Fax: 63-2-634-9069

Singapore
Tel: 65-6334-8870
Fax: 65-6334-8850

Taiwan - Hsin Chu
Tel: 886-3-5778-366
Fax: 886-3-5770-955

Taiwan - Kaohsiung
Tel: 886-7-536-4818
Fax: 886-7-330-9305

Taiwan - Taipei
Tel: 886-2-2500-6610
Fax: 886-2-2508-0102

Thailand - Bangkok
Tel: 66-2-694-1351
Fax: 66-2-694-1350

EUROPE

Austria - Wels
Tel: 43-7242-2244-39
Fax: 43-7242-2244-393

Denmark - Copenhagen
Tel: 45-4450-2828
Fax: 45-4485-2829

France - Paris
Tel: 33-1-69-53-63-20
Fax: 33-1-69-30-90-79

Germany - Munich
Tel: 49-89-627-144-0
Fax: 49-89-627-144-44

Italy - Milan
Tel: 39-0331-742611
Fax: 39-0331-466781

Netherlands - Drunen
Tel: 31-416-690399
Fax: 31-416-690340

Spain - Madrid
Tel: 34-91-708-08-90
Fax: 34-91-708-08-91

UK - Wokingham
Tel: 44-118-921-5869
Fax: 44-118-921-5820

11/29/11