

PLEASE CHECK WWW.MOLEX.COM FOR LATEST PART INFORMATION

Part Number: [0513870578](#)
Status: **Active**
Overview: Consumer USB Products
Description: USB On-The-Go (OTG) Mini-B Receptacle, Right Angle, Short Body, Surface Mount Solder Tails and Through Hole Shell Tabs, with Cover Tape, Lead-Free

Documents:

[3D Model](#) [Product Specification PS-51387-002-001 \(PDF\)](#)
[Drawing \(PDF\)](#) [RoHS Certificate of Compliance \(PDF\)](#)

General

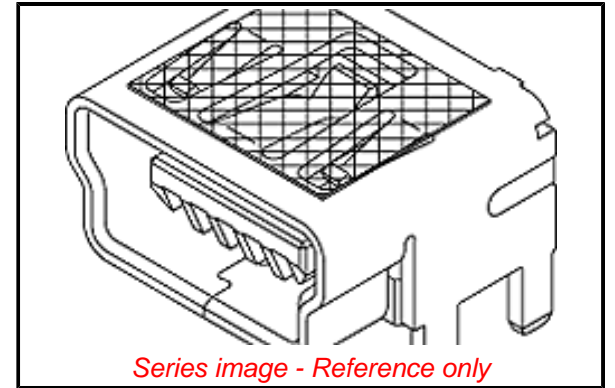
Product Family	I/O Connectors
Series	51387
Application	Wire-to-Board
Component Type	Receptacle
Overview	Consumer USB Products
Product Name	USB 2.0, USB OTG (On-The-Go)
Type	Mini-B
UPC	822348105311

Physical

Boot Color	N/A
Circuits (Loaded)	5
Circuits (maximum)	5
Color - Resin	Black
Gender	Receptacle
Lock to Mating Part	Yes
Material - Metal	High Performance Alloy (HPA), Phosphor Bronze
Material - Plating Mating	Gold
Material - Plating Termination	Tin
Material - Resin	High Temperature Thermoplastic
Net Weight	0.443/g
Number of Rows	1
Orientation	Right Angle
PCB Locator	Yes
PCB Retention	Yes
Packaging Type	Embossed Tape on Reel
Panel Mount	No
Pitch - Mating Interface	0.80mm
Pitch - Termination Interface	0.80mm
Plating min - Mating	0.762µm
Plating min - Termination	1.016µm
Polarized to Mating Part	Yes
Polarized to PCB	Yes
Ports	1
Surface Mount Compatible (SMC)	Yes
Temperature Range - Operating	0°C to +50°C
Termination Interface: Style	Surface Mount
Waterproof / Dustproof	No
Wire Size AWG	N/A

Electrical

Current - Maximum per Contact	1.0A
Shield Type	Full Shield
Shielded	Yes
Voltage - Maximum	30V AC (RMS)/DC



EU ELV

Not Relevant

EU RoHS

Compliant

REACH SVHC

Not Contained Per -
ED/30/2017 (7 July
2017)

Halogen-Free

Status

Low-Halogen

Need more information on product environmental compliance?

Email productcompliance@molex.com
Please visit the [Contact Us](#) section for any non-product compliance questions.

China ROHS	Green Image
ELV	Not Relevant
RoHS Phthalates	Not Contained

Search Parts in this Series

[51387 Series](#)

Mates With

[59205-3301](#) , [59204-9405](#)

Solder Process Data

Duration at Max. Process Temperature (seconds)	003
Lead-free Process Capability	REFLOW
Max. Cycles at Max. Process Temperature	001
Process Temperature max. C	250

Material Info**Reference - Drawing Numbers**

Product Specification	PS-51387-002-001
Sales Drawing	SD-51387-003, SD-51387-004

This document was generated on 10/27/2017

PLEASE CHECK WWW.MOLEX.COM FOR LATEST PART INFORMATION