

PLEASE CHECK WWW.MOLEX.COM FOR LATEST PART INFORMATION

Part Number: [1051330011](#)
Status: **Active**
Overview: [Consumer USB Products](#)
Description: Micro-USB B Receptacle, Vertical, Surface Mount, Lead-Free

Documents:

[3D Model](#) [Packaging Specification PK-105133-001 \(PDF\)](#)
[Drawing \(PDF\)](#) [RoHS Certificate of Compliance \(PDF\)](#)
[Product Specification PS-105133-001-001 \(PDF\)](#)

Agency Certification

UL E107635

General

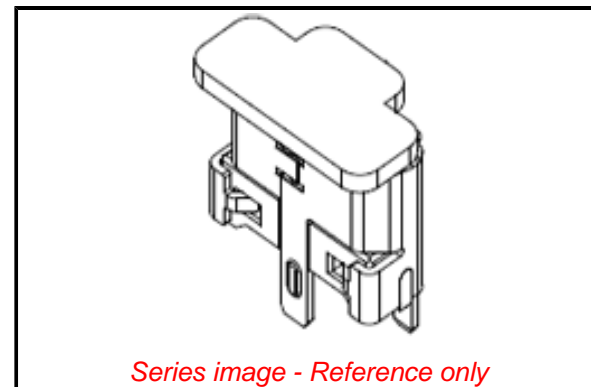
Product Family I/O Connectors
 Series [105133](#)
 Application Wire-to-Board
 Comments Signal contacts 1.0A, Power contacts 1.8A
 Component Type Receptacle
 Overview [Consumer USB Products](#)
 Product Name USB 2.0
 Type Micro-B
 UPC 887191097947

Physical

Boot Color N/A
 Circuits (Loaded) 5
 Circuits (maximum) 5
 Color - Resin Black
 Durability (mating cycles max) 10000
 Flammability 94V-0
 Gender Receptacle
 Keying to Mating Part Yes
 Lock to Mating Part No
 Material - Metal Copper Alloy
 Material - Plating Mating Gold
 Material - Plating Termination Gold
 Material - Resin High Temperature Thermoplastic
 Net Weight 0.360/g
 Number of Rows 1
 Orientation Vertical
 PCB Retention None
 Packaging Type Embossed Tape on Reel
 Panel Mount No
 Pitch - Mating Interface 0.65mm
 Pitch - Termination Interface 0.65mm
 Polarized to Mating Part Yes
 Ports 1
 Surface Mount Compatible (SMC) Yes
 Temperature Range - Operating -30°C to +85°C
 Termination Interface: Style Surface Mount
 Waterproof / Dustproof No

Electrical

Current - Maximum per Contact 1.8A, 1.0A
 Grounding to Panel Yes
 Shield Type Full Shield



EU ELV

Not Relevant

EU RoHS

Compliant

REACH SVHC

Not Contained Per -
 ED/30/2017 (7 July
 2017)

Halogen-Free

Status

Low-Halogen

**Need more information on product
 environmental compliance?**

Email productcompliance@molex.com
 Please visit the [Contact Us](#) section for any
 non-product compliance questions.

China ROHS

ELV

RoHS Phthalates

Green Image

Not Relevant

Not Contained

Search Parts in this Series

[105133 Series](#)

Shielded	Yes
Voltage - Maximum	30V AC (RMS)

Solder Process Data

Duration at Max. Process Temperature (seconds)	003
Lead-free Process Capability	REFLOW
Max. Cycles at Max. Process Temperature	001
Process Temperature max. C	255

Material Info**Reference - Drawing Numbers**

Packaging Specification	PK-105133-001
Product Specification	PS-105133-001-001
Sales Drawing	SD-105133-011-000

This document was generated on 10/10/2017

PLEASE CHECK WWW.MOLEX.COM FOR LATEST PART INFORMATION