

DATA SHEET

OLC449: Radiation-Tolerant Phototransistor Non-Hermetic Surface-Mount Optocoupler

Features

- Radiation tolerant version of the 4N49U
- High current transfer ratio (CTR) is guaranteed:
 - Over –55 °C to +125 °C ambient temperature range
 - At LED current of 1mA
- 1000 V_{DC} electrical isolation
- Same processing and construction as the OLC249, but with a higher CTR

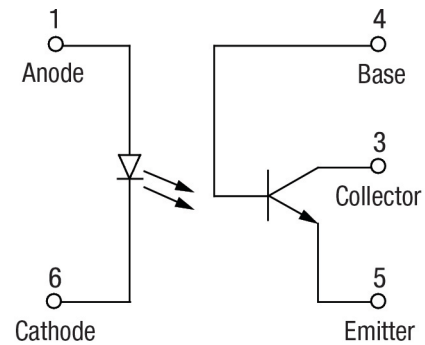
Description

The OLC449 can be used for large satellite constellation applications that require optical isolation in radiation environments such as gamma, neutron, and proton radiation with a high CTR and low saturation VCE. Each optocoupler consists of an LED and N-P-N silicon phototransistor that is electrically isolated, but optically coupled inside a non-hermetic six-pin Leadless Chip Carrier (LCC) package.

Electrical parameters are similar to the JEDEC registered 4N49 optocoupler, but with a higher CTR and better CTR degradation characteristics due to radiation exposure.

The hermetic surface mount variant of the OLC449 optocoupler is available as the OLS449, both in a non-screened catalog version as well as a high-reliability screened version.

The OLC449 is designed for a low LED operating current while providing excellent radiation tolerance margins.



206214-001

Figure 1. OLC449 Block Diagram

A functional block diagram of the OLC449 is shown in Figure 1. The absolute maximum ratings of the OLC449 are provided in Table 1. Electrical specifications are provided in Table 2.

Typical performance characteristics of the OLC449 are illustrated in Figures 2 through 4. A typical switching test circuit is shown in Figure 5 and package dimensions for the OLC449 are provided in Figure 6.

Table 1. OLC449 Absolute Maximum Ratings¹

Parameter	Symbol	Minimum	Maximum	Units
Coupled				
Input to output isolation voltage ²	V _{DC}	-1000	+1000	V
Storage temperature range	T _{STG}	-65	+150	°C
Operating temperature range	T _A	-55	+125	°C
Lead temperature range for 10 sec			240	°C
Input Diode				
Average input current	I _{DD}		40	mA
Peak forward current ³	I _F		1	A
Reverse voltage	V _R		2	V
Power dissipation	P _D		70	mW
Output Detector				
Collector to emitter voltage	V _{CE}		65	V
Emitter to base voltage	V _{EB}		7	V
Collector to base voltage	V _{CB}		65	V
Continuous collector current	I _{CC}		50	mA
Power dissipation ⁴	P _D		300	mW

¹ Exposure to maximum rating conditions for extended periods may reduce device reliability. There is no damage to device with only one parameter set at the limit and all other parameters set at or below their nominal value. Exceeding any of the limits listed here may result in permanent damage to the device.

² Measured between pins 1, 2, and 6 shorted together, and pins 3, 4, and 5 shorted together. T_A = 25 °C and duration = 1 s.

³ Value applies for P_w ≤ 1 μs, PRR ≤ 300 pps.

⁴ Derate linearly at 3 mW/°C above 25 °C.

ESD HANDLING: *Although this device is designed to be as robust as possible, electrostatic discharge (ESD) can damage this device. This device must be protected at all times from ESD when handling or transporting. Static charges may easily produce potentials of several kilovolts on the human body or equipment, which can discharge without detection. Industry-standard ESD handling precautions should be used at all times.*

Table 2. OLC449 Electrical Specifications¹
(T_A = 25 °C, Unless Otherwise Noted)

Parameter	Symbol	Test Condition	Min	Max	Units
On-State:					
Collector current	I _{C_ON}	I _F = 1 mA, V _{CE} = 5 V	15	40	mA
		I _F = +1 mA, V _{CE} = +5 V, T _A = -55 °C	+7		mA
		I _F = 1 mA, V _{CE} = 5 V, T _A = 125 °C	7		mA
Collector to base current	I _{CB_ON}	I _F = 10 mA, V _{CB} = 5 V	300		μA
Saturation voltage	V _{CE_SAT}	I _F = 1.0 mA, I _C = 5.0 mA		0.3	V
Breakdown voltage:					
Collector to emitter	BV _{CEO}	I _{CE} = 1 mA	65		V
Collector to base	BV _{CBO}	I _{CB} = 100 μA	65		V
Emitter to base	BV _{EBO}	I _{EB} = 100 μA	7		V
Off-state leakage current:					
Collector to emitter	I _{CE_OFF}	V _{CE} = 20 V		100	nA
		V _{CE} = 20 V, T _A = 125 °C		100	μA
Collector to base	I _{CB_OFF}	V _{CB} = 20 V		10	nA
Input:					
Forward voltage	V _F	I _F = +10.0 mA, T _A = -55 °C	+1.3	+1.9	V
		I _F = 10.0 mA	1.2	1.7	V
		I _F = 10.0 mA, T _A = 125 °C	1.1	1.6	V
Reverse current	I _R	V _R = 2 V		100	μA
Output resistance ²	R _{L_0}	V _{L_0} = ±1000 V _{DC}	10 ¹¹		Ω
Output capacitance ²	C _{L_0}	V _{L_0} = 0 V, f = 1 MHz		5	pF
Time:					
Rise	t _r	V _{CC} = 10 V, R _L = 100 Ω		25	μs
Fall	t _f	I _F = 5 mA		25	μs

¹ Performance is guaranteed only under the conditions listed in the above table.

² Measured between pins 1, 2, and 6 shorted together, and pins 3, 4, and 5 shorted together. T_A = 25 °C and duration = 1 s.

Typical Performance Characteristics
 ($T_A = -55\text{ }^\circ\text{C}$ to $+125\text{ }^\circ\text{C}$, Unless Otherwise Noted)

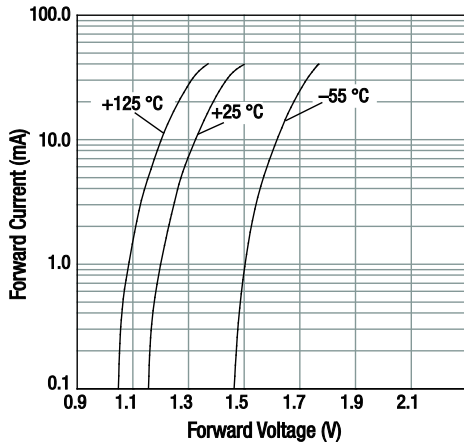


Figure 2. Forward Current vs Forward Voltage

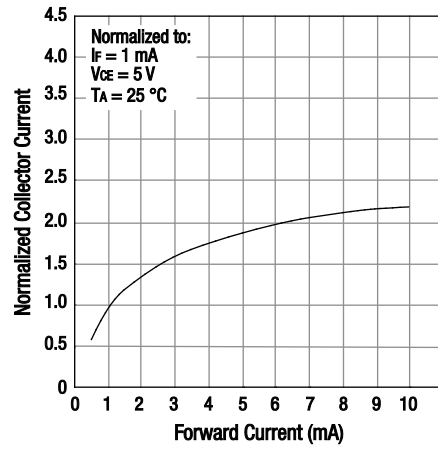


Figure 3. Normalized Collector Current vs Forward Current

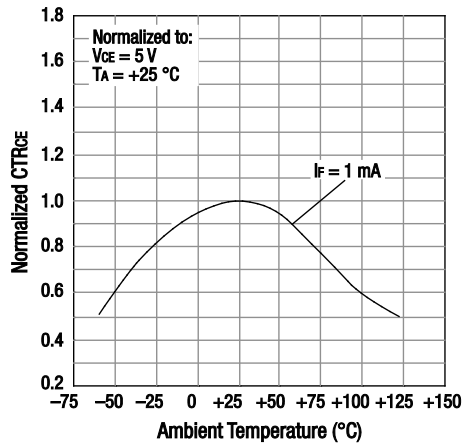


Figure 4. Normalized CTR_{CE} vs Temperature

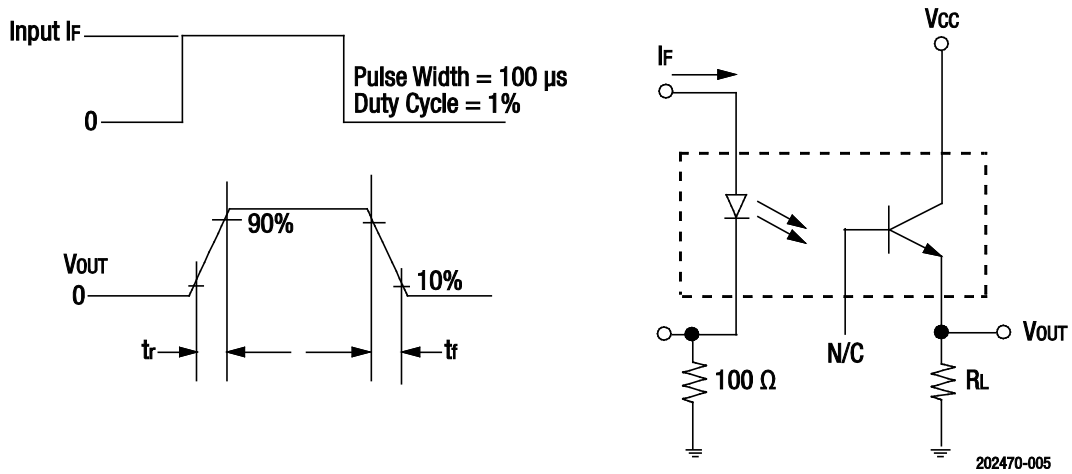


Figure 5. OLC449 Switching Test Circuit

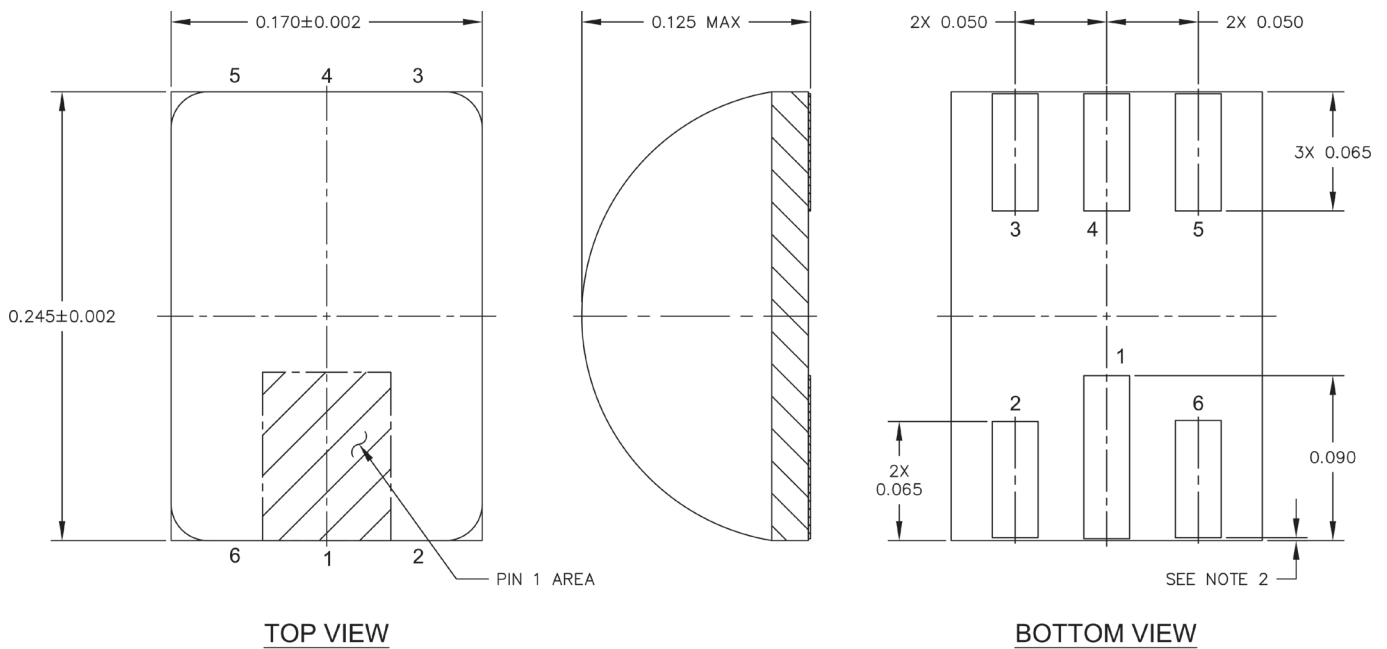


Figure 6. OLC449 Package Dimensions

OLC449-006

Ordering Information

Model Name	Manufacturing Part Number
OLC449: Radiation-Tolerant, Phototransistor Surface-Mount Optocoupler	OLC449

Copyright © 2022 Skyworks Solutions, Inc. All Rights Reserved.

Information in this document is provided in connection with Skyworks Solutions, Inc. (“Skyworks”) products or services. These materials, including the information contained herein, are provided by Skyworks as a service to its customers and may be used for informational purposes only by the customer. Skyworks assumes no responsibility for errors or omissions in these materials or the information contained herein. Skyworks may change its documentation, products, services, specifications or product descriptions at any time, without notice. Skyworks makes no commitment to update the materials or information and shall have no responsibility whatsoever for conflicts, incompatibilities, or other difficulties arising from any future changes.

No license, whether express, implied, by estoppel or otherwise, is granted to any intellectual property rights by this document. Skyworks assumes no liability for any materials, products or information provided hereunder, including the sale, distribution, reproduction or use of Skyworks products, information or materials, except as may be provided in Skyworks’ Terms and Conditions of Sale.

THE MATERIALS, PRODUCTS AND INFORMATION ARE PROVIDED “AS IS” WITHOUT WARRANTY OF ANY KIND, WHETHER EXPRESS, IMPLIED, STATUTORY, OR OTHERWISE, INCLUDING FITNESS FOR A PARTICULAR PURPOSE OR USE, MERCHANTABILITY, PERFORMANCE, QUALITY OR NON-INFRINGEMENT OF ANY INTELLECTUAL PROPERTY RIGHT; ALL SUCH WARRANTIES ARE HEREBY EXPRESSLY DISCLAIMED. SKYWORKS DOES NOT WARRANT THE ACCURACY OR COMPLETENESS OF THE INFORMATION, TEXT, GRAPHICS OR OTHER ITEMS CONTAINED WITHIN THESE MATERIALS. SKYWORKS SHALL NOT BE LIABLE FOR ANY DAMAGES, INCLUDING BUT NOT LIMITED TO ANY SPECIAL, INDIRECT, INCIDENTAL, STATUTORY, OR CONSEQUENTIAL DAMAGES, INCLUDING WITHOUT LIMITATION, LOST REVENUES OR LOST PROFITS THAT MAY RESULT FROM THE USE OF THE MATERIALS OR INFORMATION, WHETHER OR NOT THE RECIPIENT OF MATERIALS HAS BEEN ADVISED OF THE POSSIBILITY OF SUCH DAMAGE.

Skyworks products are not intended for use in medical, lifesaving or life-sustaining applications, or other equipment in which the failure of the Skyworks products could lead to personal injury, death, physical or environmental damage. Skyworks customers using or selling Skyworks products for use in such applications do so at their own risk and agree to fully indemnify Skyworks for any damages resulting from such improper use or sale.

Customers are responsible for their products and applications using Skyworks products, which may deviate from published specifications as a result of design defects, errors, or operation of products outside of published parameters or design specifications. Customers should include design and operating safeguards to minimize these and other risks. Skyworks assumes no liability for applications assistance, customer product design, or damage to any equipment resulting from the use of Skyworks products outside of Skyworks’ published specifications or parameters.

Skyworks, the Skyworks symbol, Sky5®, SkyOne®, SkyBlue™, Skyworks Green™, Clockbuilder®, DSPLL®, ISOModem®, ProSLIC®, and SiPHY® are trademarks or registered trademarks of Skyworks Solutions, Inc. or its subsidiaries in the United States and other countries. Third-party brands and names are for identification purposes only and are the property of their respective owners. Additional information, including relevant terms and conditions, posted at www.skyworksinc.com, are incorporated by reference.

Mouser Electronics

Authorized Distributor

Click to View Pricing, Inventory, Delivery & Lifecycle Information:

[Skyworks:](#)

[OLC449](#)