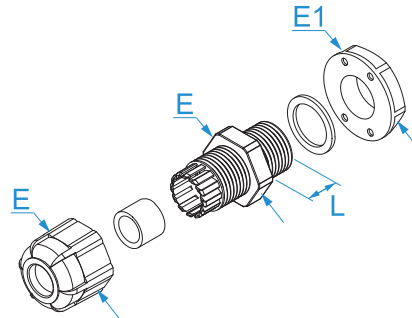


Product family: Nylon cable glands - Metric thread
Item code: 4712, 4712N, 4717, 4717N, 4720, 4720N, 4725, 4725N, 4732, 4732N, 4740, 4740N, 4750, 4750N, 4763, 4763N
Description: NYLON CABLE GLANDS · METRIC THREAD · IP68 · WITH LOCKNUT

Image




Technical drawing



Specifications

MATERIAL: polyamide (PA 6.6), self-extinguishing according to UL 94 V2 and IEC 695-2-1 (850 °C)
LOCKNUT: with flange
OPERATING TEMPERATURE: from -20 °C to +90 °C
INNER GASKET AND WASHER: NBR (nitrile rubber), 70 Shore A
ACCORDING TO STD.: EN 62444:2013
ASSEMBLY: do not remove or move the gasket; tighten on a flat and smooth surface.

Code	Color	Metric thread size (EN60423)	Ø cable (mm)	L (mm)	E wrench (nut)	E1 wrench (locknut)	
4712	Grey RAL 7035	M 12 x 1.5	3 - 6,5	9	16	17	25/250
4712N	Black RAL 9005	M 12 x 1.5	3 - 6,5	9	16	17	25/25
4717	Grey RAL 7035	M 16 x 1.5	4 - 8	9	19	22	25/250
4717N	Black RAL 9005	M 16 x 1.5	4 - 8	9	19	22	
4720	Grey RAL 7035	M 20 x 1.5	6 - 12	10	24	26	25/250
4720N	Black RAL 9005	M 20 x 1.5	6 - 12	10	24	26	25/25
4725	Grey RAL 7035	M 25 x 1.5	13 - 18	12	33	32	20/100
4725N	Black RAL 9005	M 25 x 1.5	13 - 18	12	33	32	20/20
4732	Grey RAL 7035	M 32 x 1.5	16 - 21	12	36	41	20/100
4732N	Black RAL 9005	M 32 x 1.5	16 - 21	12	36	41	20/20
4740	Grey RAL 7035	M 40 x 1.5	20 - 26	15	46	49	10/10
4740N	Black RAL 9005	M 40 x 1.5	20 - 26	15	46	49	
4750	Grey RAL 7035	M 50 x 1.5	32 - 38	18	60	61	5/5
4750N	Black RAL 9005	M 50 x 1.5	32 - 38	18	60	61	
4763	Grey RAL 7035	M 63 x 1.5	37 - 44	18	68	73	5/5
4763N	Black RAL 9005	M 63 x 1.5	37 - 44	18	68	73	

