

Fuse Inserter/Extractor with Cover Function for 10.3x38 mm Fuses in Clips

new



ESO Fuse Inserter/Extractor (part of the delivery)



ESO to protect ASO in CSO clip on PCB mounted (only ESO is part of the delivery)



CSO clip mounted on PCB with ASO, without ESO (not part of the delivery)



CSO clip mounted on PCB without ESO (not part of the delivery)

Order required accessories separately



Description

- Fuse inserter, extractor and cover in one component
- Patented, compact and cost-effective design
- Terminal marking optional possible
- Touch-safe according to IP20
- Captive fuse
- Designed for use with CSO clips only

Standards

- UL 4248-1 / UL 512
- CSA C22.2 no. 39

Approvals

- UL File Number: E39328

Applications

- All photovoltaic applications
- Inverters
- Battery charge controllers
- String fuses
- DC applications

References

Mating cover to [ASO 10.3x38](#); [CSO](#)

Weblinks

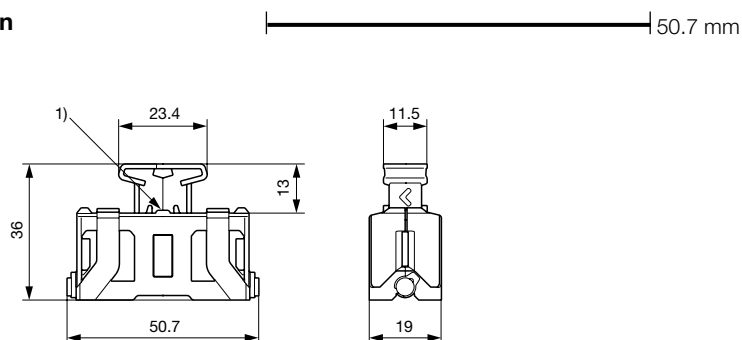
[pdf-datasheet](#), [html-datasheet](#), [General Product Information](#), [Approvals](#), [CE declaration of conformity](#), [RoHS](#), [CHINA-RoHS](#), [REACH](#), [e-Shop](#), [SCHURTER-Stock-Check](#), [Distributor-Stock-Check](#), [Accessories](#), [Detailed request for product](#), [Video](#)

Technical Data

Fuse-Link	10.3 x 38 mm
Mounting	Plug-in assembly
Degree of Protection	IP 20
Admissible Ambient Air Temp.	-40 °C to 85 °C
Climatic Category	25/085/21 acc. to IEC 60068-1
Material: Cover	Thermoplastic black UL 94V-0
Material	Thermoplastic black UL 94V-0
Unit Weight	9.2 g
Storage Conditions	0 °C to 60 °C, max. 70% r.h.
Product Marking	Type, Safety Note

Contact Resistance	< 5 mΩ at 20 mV
Pollution Degree	1 - 3 acc. to IEC 60664-1
Resistance to Vibration	acc. to IEC 60068-2-6, test Fc

Dimension



¹⁾ Position for optional terminal marking
(terminal block width: 5.2 mm, lettering field: 4.6x5.1 mm,
e.g. item 0818153 from Phoenix Contact)

All Variants

Type	Packaging	Order Number
ESO	Bulk (50 pcs.)	0853.1250
ESO	Bulk (500 pcs.)	0853.1251

Availability for all products can be searched real-time: <http://www.schurter.com/en/Stock-Check/Stock-Check-SCHURTER>

Packaging Unit Bulk 128 x 91 x 60 mm (50 pcs.)

Required Accessory

Description



CSO
Heavy Duty Fuse Clip, 10.3 x 38 / 10.3 x 85 mm, 1500 VAC/VDC, 32 A