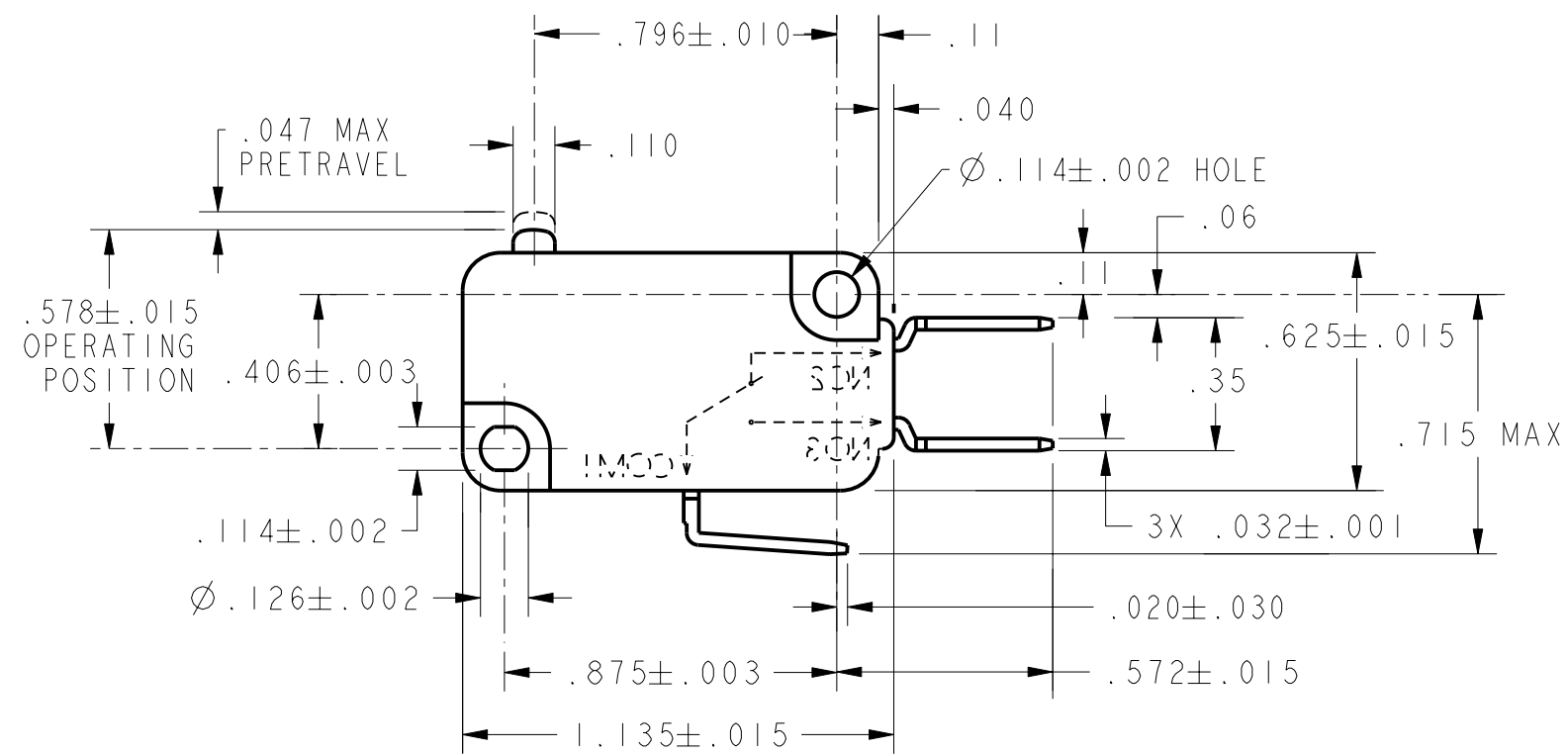
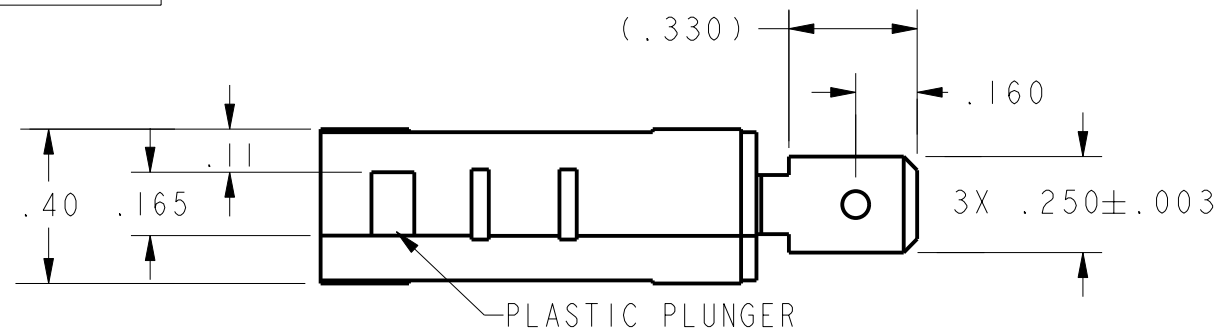


REV	DOCUMENT	CHANGED BY	CHECK
6	207456	TSM 18FEB03	SAV



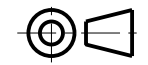
CHARACTERISTICS	
OPERATING FORCE	---- 75 GRAMS MAX
RELEASE TRAVEL	----- .010 MIN
RELEASE FORCE	----- 10 GRAMS MIN
DIFFERENTIAL TRAVEL	---- .002-.010
OVERTRAVEL	----- .050 MIN
FREE POSITION	----- .625 MAX

ELECTRICAL DATA	
CONTACT ARRANGEMENT S P D T	
L162	
5A 125, 250, 277 VAC	
1/10HP 250 VAC	

UNLESS OTHERWISE SPECIFIED TOLERANCES ARE:			
	<input checked="" type="checkbox"/> US (inch) CUSTOMARY	<input type="checkbox"/> SI (mm) METRIC	
NO PLACE	X	±.040	±1
ONE PLACE	.X	±.030	±0,4
TWO PLACE	.XX	±.015	±0,15
THREE PLACE	.XXX	±.005	±
ANGLES		±	±
RAW MATERIAL-COMMERCIAL STANDARD			
THIRD ANGLE PROJECTION			

DRAWN	TSM	18FEB03
CHECK	SAV	18FEB03
THIS DRAWING COVERS A PROPRIETARY ITEM AND IS THE PROPERTY OF HONEYWELL. THIS DRAWING IS NOT TO BE COPIED OR USED WITHOUT THE PERMISSION OF HONEYWELL.		
DIMENSIONS ARE TO BE MET BEFORE PROTECTIVE COATINGS ARE APPLIED		
PTC 2D	ASME Y14.5M-1994	

Honeywell			
TITLE SWITCH, BASIC			
SIZE	DWG TYPE	DRAWING NAME	REV
B	I	V7-2A17E9	6
SCALE	2:1	WEIGHT	SHEET 1 OF 1



Mouser Electronics

Authorized Distributor

Click to View Pricing, Inventory, Delivery & Lifecycle Information:

[Honeywell:](#)

[V7-2A17E9](#)