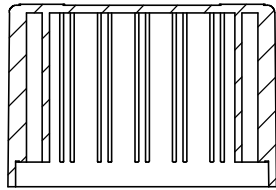


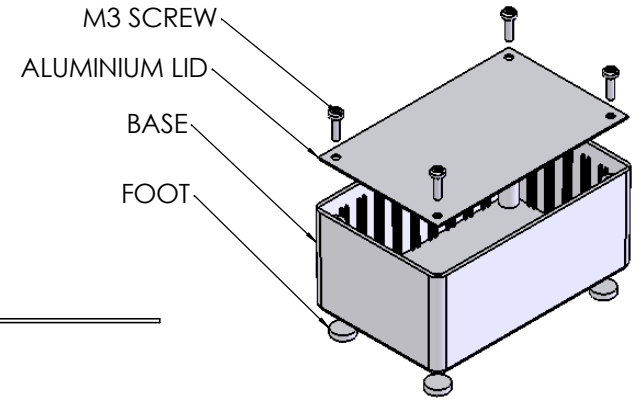
OVERALL ASSEMBLY DIMENSIONS:

EXTERNAL - 111 x 71 x 48

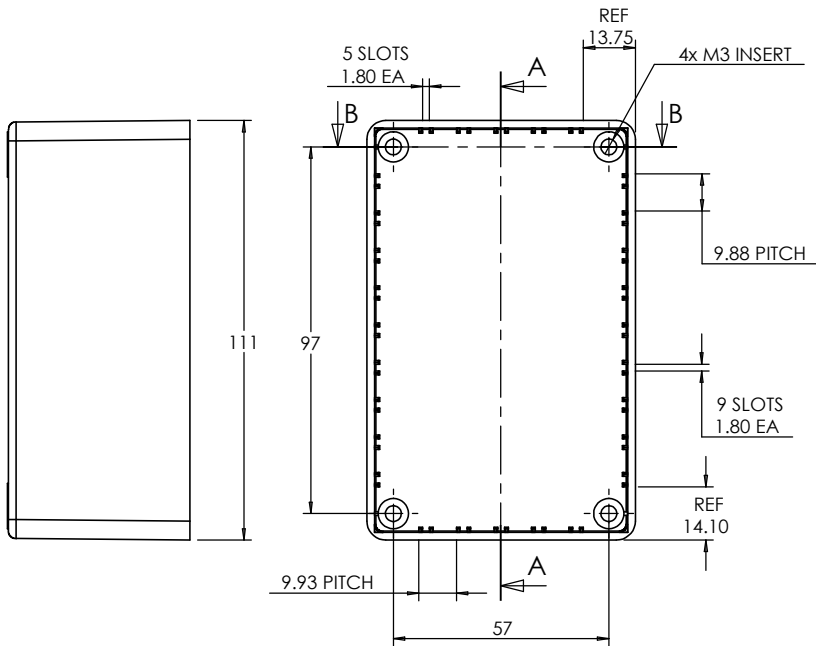
INTERNAL - 107 x 67 x 39.5



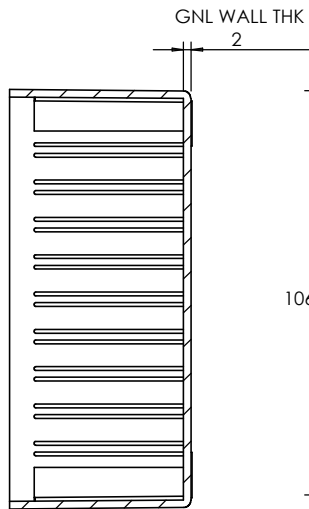
SECTION B-B



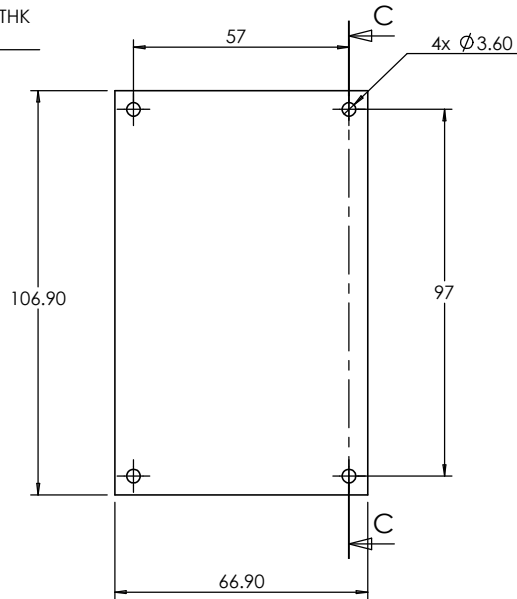
ISO VIEW  
1:3



BASE

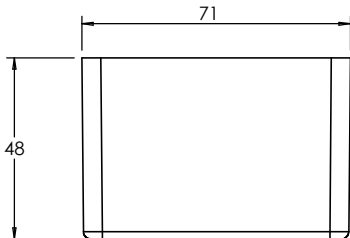


SECTION A-A



SECTION C-C

LID



 JAMES CARTER RD, MILDENHALL, SUFFOLK. IP28 7DE TEL: 01638 716101 FAX: 01638 716554 EMAIL: Sales@CamdenBoss.com WEB: www.CamdenBoss.com				UNLESS OTHERWISE SPECIFIED: DIMENSIONS ARE IN MILLIMETERS		DO NOT SCALE DRAWING	REVISION. 0
				FINISH. SMOOTH		TITLE: ASSEMBLY DRG FOR 4004	
DRAWN	S.HARDINGE	SJH	01/12/05	MATERIAL. ABS & ALUMINIUM	DWG NO.	4004	A4
CHK'D	-	-	-	PROJECTION.	SCALE: 1:2	SHEET 1 OF 1	