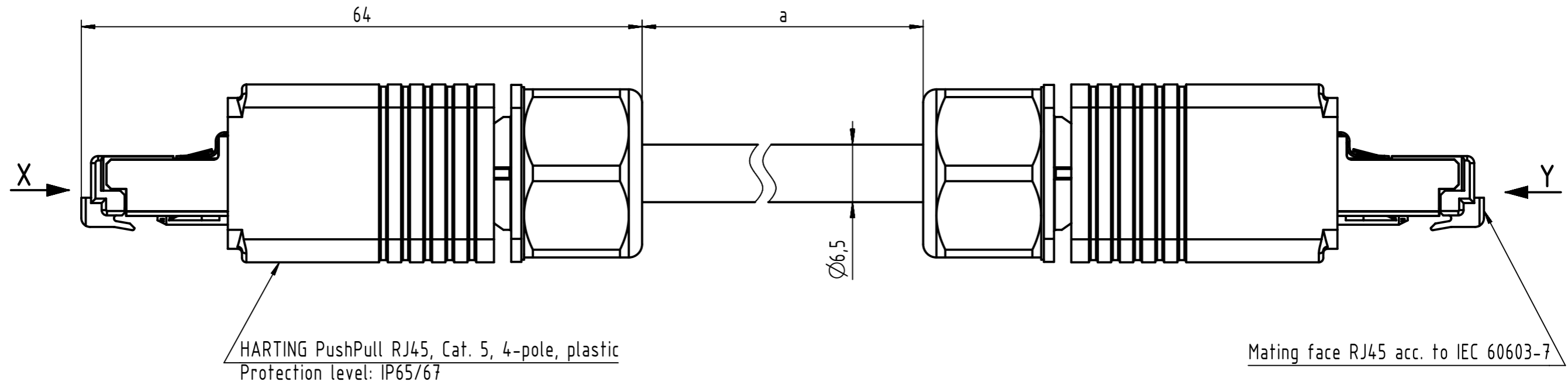


Connector Location A

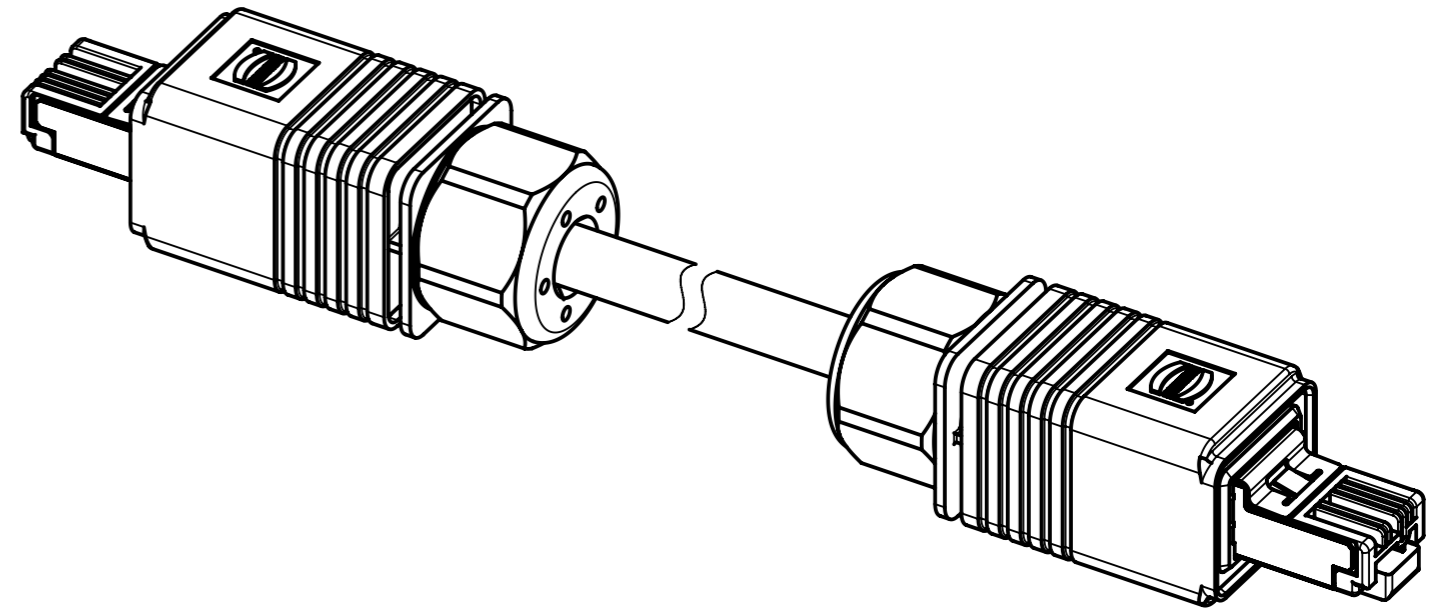
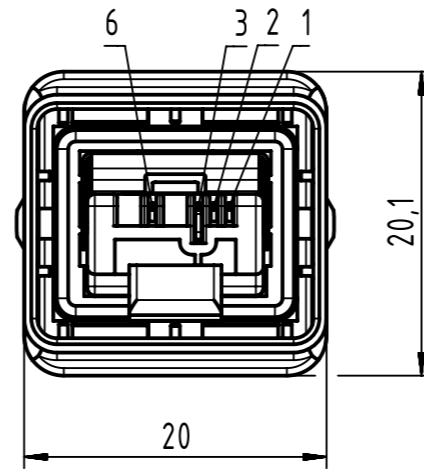
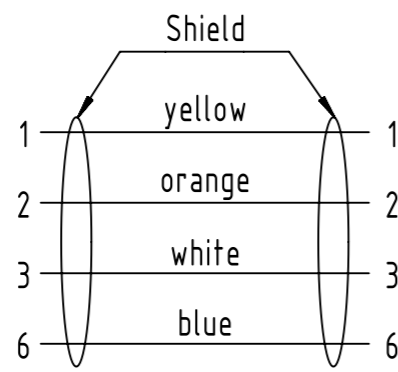
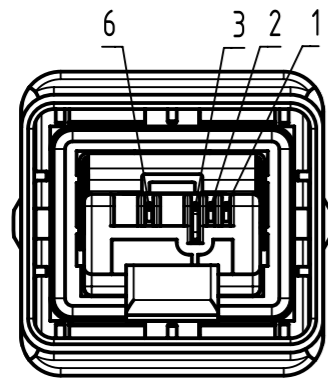
Connector Location B



X  
male

Y  
male

Loading-Plan




- Temperature range: -40°C...+70°C

|   |                     |   |                        |                             |                    |  |             |
|---|---------------------|---|------------------------|-----------------------------|--------------------|--|-------------|
|   | All rights reserved | Created by<br>STOCHECIC                       | Inspected by<br>COSTEA | Standardisation<br>MUNTEANV | Date<br>2018-06-12 | State<br>Final Release                                   |             |
|   | Department HCS - RO | Title<br>HARTING PushPull RJ45 Cable Assembly |                        |                             |                    | Doc-Key / ECM-Nr.<br>100155667/UGD/010/C<br>500000135964 |             |
| HARTING Customised Solutions<br>D-32339 Espelkamp |                     | Type<br>TB                                    | Number<br>0945745XXXX  |                             |                    | Rev.<br>C  | Page<br>1/2 |

| Cont. no. | Part no.    | Type of cable   | Dim. a[m]  |
|-----------|-------------|---|--|
| 44        | 09457450083 | RJ45 Ethernet stranded cable, AWG22/7, 2x2x0.75, outdoor, PVC, Cat. 5+, black | 100  |
| 43        | 09457450082 |   | 90   |
| 42        | 09457450081 |   | 80   |
| 41        | 09457450080 |   | 70   |
| 40        | 09457450079 |   | 60   |
| 39        | 09457450078 |   | 50   |
| 38        | 09457450077 |   | 40   |
| 37        | 09457450076 |   | 30   |
| 36        | 09457450075 |   | 20   |
| 35        | 09457450074 |   | 15   |
| 34        | 09457450073 |   | 10   |
| 33        | 09457450072 |   | 9  |
| 32        | 09457450071 |   | 8  |
| 31        | 09457450070 |   | 7  |
| 30        | 09457450069 |   | 6  |
| 29        | 09457450068 |   | 5  |
| 28        | 09457450067 |   | 4  |
| 27        | 09457450066 |   | 3  |
| 26        | 09457450065 |   | 2  |
| 25        | 09457450064 |   | 1.5  |
| 24        | 09457450063 |   | 1  |
| 23        | 09457450062 |   | 0.5  |
| 22        | 09457450061 |   | RJ45 Ethernet trailing cable, AWG22/7, 2x2x0.75, PUR, Cat. 5+, green |
| 21        | 09457450060 | 90  |  |
| 20        | 09457450059 | 80  |  |
| 19        | 09457450058 | 70  |  |
| 18        | 09457450057 | 60  |  |
| 17        | 09457450056 | 50  |  |
| 16        | 09457450055 | 40  |  |
| 15        | 09457450054 | 30  |  |
| 14        | 09457450053 | 20  |  |
| 13        | 09457450052 | 15  |  |
| 12        | 09457450051 | 10  |  |
| 11        | 09457450031 | 9   |  |
| 10        | 09457450030 | 8   |  |
| 9         | 09457450029 | 7   |  |
| 8         | 09457450028 | 6   |  |
| 7         | 09457450027 | 5   |  |
| 6         | 09457450026 | 4   |  |
| 5         | 09457450025 | 3   |  |
| 4         | 09457450024 | 2   |  |
| 3         | 09457450023 | 1.5   |  |
| 2         | 09457450022 | 1   |  |
| 1         | 09457450021 | 0.5   |  |

| Cont. no. | Part no.    | Type of cable  | Dim. a[m]  |
|-----------|-------------|--|--|
| 88        | 09457451183 | RJ45 Ethernet stranded cable, 4xAWG22/7, PVC, Cat. 5+, green | 100  |
| 87        | 09457451182 |  | 90   |
| 86        | 09457451181 |  | 80   |
| 85        | 09457451180 |  | 70   |
| 84        | 09457451179 |  | 60   |
| 83        | 09457451178 |  | 50   |
| 82        | 09457451177 |  | 40   |
| 81        | 09457451176 |  | 30   |
| 80        | 09457451175 |  | 20   |
| 79        | 09457451174 |  | 15   |
| 78        | 09457451173 |  | 10   |
| 77        | 09457451172 |  | 9  |
| 76        | 09457451171 |  | 8  |
| 75        | 09457451170 |  | 7  |
| 74        | 09457451169 |  | 6  |
| 73        | 09457451168 |  | 5  |
| 72        | 09457451167 |  | 4  |
| 71        | 09457451166 |  | 3  |
| 70        | 09457451165 |  | 2  |
| 69        | 09457451164 |  | 1.5  |
| 68        | 09457451163 |  | 1  |
| 67        | 09457451162 |  | 0.5  |
| 66        | 09457451161 |  | RJ45 Ethernet standard cable, AWG22/1, 2x2x0.64, PVC, Cat. 5+, green |
| 65        | 09457451160 | 90   |  |
| 64        | 09457451159 | 80   |  |
| 63        | 09457451158 | 70   |  |
| 62        | 09457451157 | 60   |  |
| 61        | 09457451156 | 50   |  |
| 60        | 09457451155 | 40   |  |
| 59        | 09457451154 | 30   |  |
| 58        | 09457451153 | 20   |  |
| 57        | 09457451152 | 15   |  |
| 56        | 09457451151 | 10   |  |
| 55        | 09457451131 | 9  |  |
| 54        | 09457451130 | 8  |  |
| 53        | 09457451129 | 7  |  |
| 52        | 09457451128 | 6  |  |
| 51        | 09457451127 | 5  |  |
| 50        | 09457451126 | 4  |  |
| 49        | 09457451125 | 3  |  |
| 48        | 09457451124 | 2  |  |
| 47        | 09457451123 | 1.5  |  |
| 46        | 09457451122 | 1  |  |
| 45        | 09457451121 | 0.5  |  |

|   |                      |  |              |                 |            |  |  |
|---|----------------------|--|--------------|-----------------|------------|--|--|
|  | All Dimensions in mm | Tech. Character.                           |              | Free size tol.  |            | According to production drawing                          |  |
| All rights reserved   |                      | Created by                                 | Inspected by | Standardisation | Date       | State  |  |
| Department HCS - RO   |                      | STOCHECIC                                  | COSTEA       | MUNTEANV        | 2018-06-12 | Final Release  |  |
| HARTING Customised Solutions  |                      | Title HARTING PushPull RJ45 Cable Assembly |              |                 |            | Doc-Key / ECM-Nr.<br>100155667/UGD/010/C<br>500000135964 |  |
| D-32339 Espelkamp   |                      | Type                                       | Number       |                 | Rev.       | Page   |  |
|   |                      | TB   | 0945745XXXX  |                 | C          | 2/2  |  |