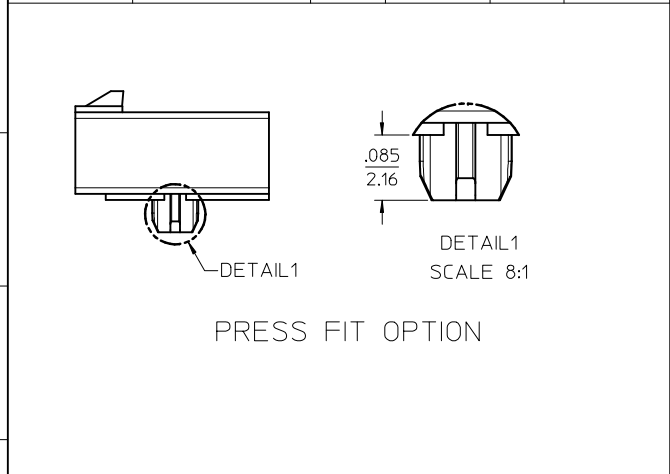
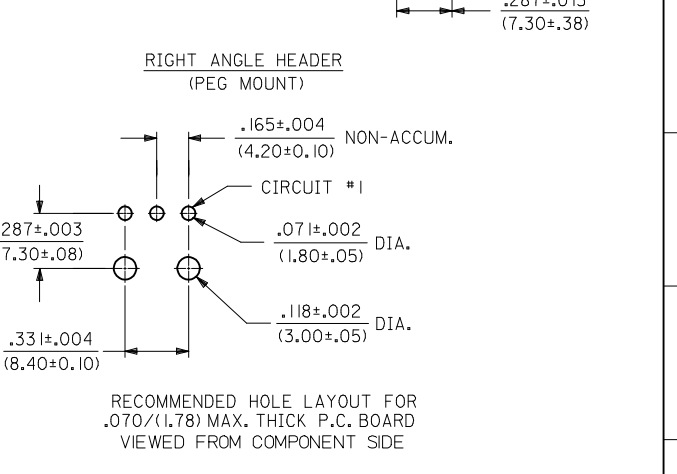
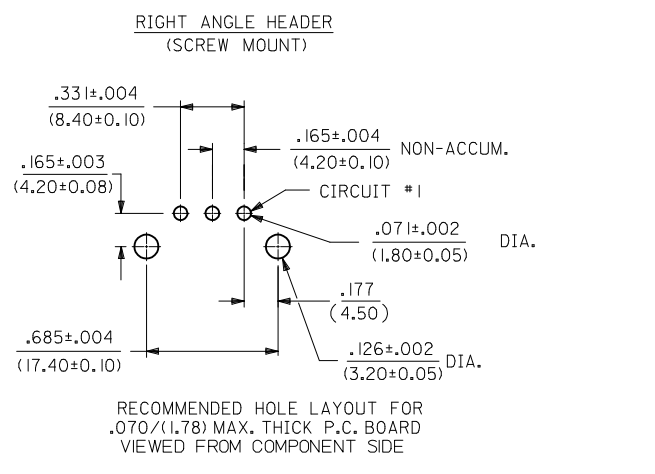
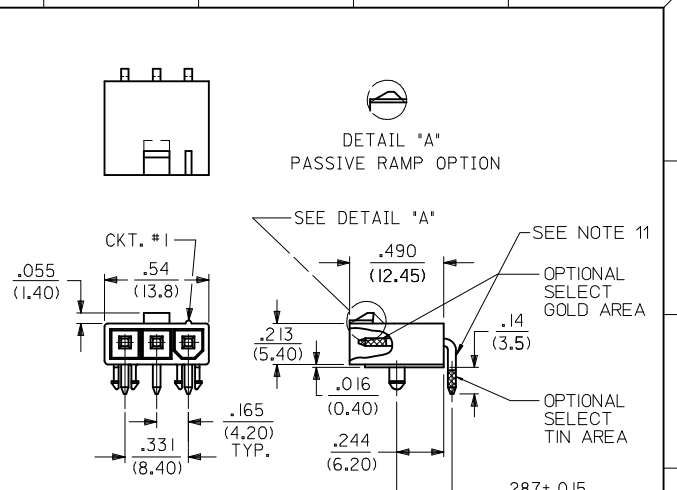
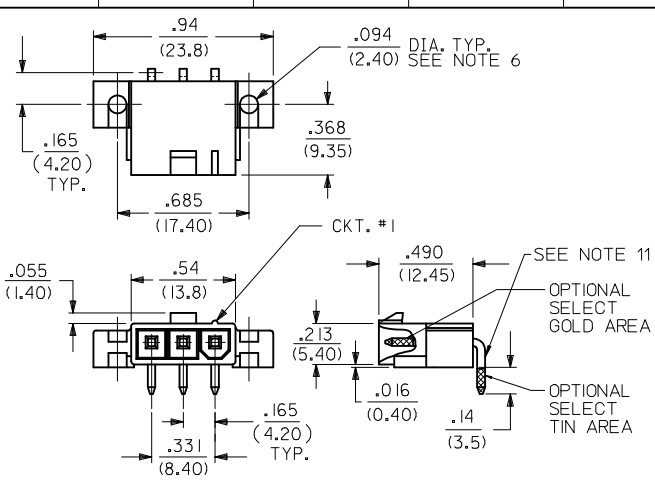


PART NUMBER	ENGINEERING NUMBER	MOUNT OPTION	PLATING	MAT'L.	PACKAGING
39-31-1032	5569-03A4-BL	4	BLANK	BL	BULK
39-30-3031	5569-03A3	3	BLANK	BLANK	
39-30-4039	5569-03A3GS2	3	15 GOLD		
39-30-3033	5569-03A3G	3	30 GOLD		
39-30-3035	5569-03A4	4	BLANK		
39-30-4033	5569-03A4GS2	4	15 GOLD		
39-30-3037	5569-03A4G	4	30 GOLD	BLANK	
39-30-3032	5569-03A3-210	3	BLANK	210	
39-30-5030	5569-03A3GS2-210	3	15 GOLD		
39-30-3034	5569-03A3G-210	3	30 GOLD		
39-30-3036	5569-03A4-210	4	BLANK		
39-30-4030	5569-03A4G2-210	4	15 GOLD		
39-30-3038	5569-03A4G-210	4	30 GOLD	210	
NO E.D.P.	5569-03A5G	5	30 GOLD	BLANK	
NO E.D.P.	5569-03A5MS	5	TIN/NICKEL	BLANK	
NO E.D.P.	5569-03A5G-210	5	30 GOLD	210	
39-34-3037	5569-03A5MS-210	5	TIN/NICKEL	210	
46999-0700	5569-03A8MS-130	8	TIN/NICKEL	130	TRAY



NOTES:

1) HOUSING MATERIAL:
 "BLANK" = NYLON 6/6, U.L. 94V-2, COLOR: NATURAL.
 130 = LCP, U.L. 94V-0, COLOR: BLACK
 210 = NYLON 6/6, U.L. 94V-0, COLOR: NATURAL.
 BL = NYLON 6/6, U.L. 94V-2, COLOR: BLACK.
 TERMINAL MATERIAL: BRASS, ALLOY

2) TERMINAL PLATING:
 "BLANK", MS - .000100/(0.00254) MIN. MATTE TIN OVER
 .000050/(0.00127) MIN. NICKEL
 G - .000030/(.00076) MIN. SELECT GOLD, .000100/(.00254)
 MIN. SELECT MATTE TIN OVER .000050/(.00127) MIN.
 NICKEL OVERALL.
 G2,GS2 - .000015/(.00038) MIN. SELECT GOLD, .000100/(.0254)
 MIN. SELECT MATTE TIN OVER .000050/(.00127) MIN.
 NICKEL OVERALL.

3) PRODUCT SPECIFICATION: PS-5556-001
 4) PACKAGING SPECIFICATION: BULK PACK PER PK-5569-002
 TRAY PACK PER PK-5569-005
 5) PART MATES WITH MOLEX RECEPTACLE #5557.

6) PART IS DESIGNED FOR USE WITH #4 OR M3 SELF TAPPING SCREWS.
 7) DISCOLORATION IN THE BANDOLIEN CARRIER AREA OF THE PIN IS INHERENT TO THE PLATING PROCESS AND IS DUE TO THE MASKING EFFECT OF THE CARRIER. THIS DISCOLORATION IS IN A NON-FUNCTIONAL AREA OF THE PIN AND WILL NOT AFFECT THE PERFORMANCE OF THE HEADER ASSEMBLY.
 8) CONNECTORS ARE NOT BE MATED OR UNMATED WHILE CIRCUITS ARE LIVE.
 9) PARTS ARE NOT DESIGNED FOR CURRENT SHARING.
 10) PART CONFORMS TO CLASS "B" REQUIREMENTS OF "COSMETIC SPECIFICATION PS-45499-002."
 11) FORMING MARKS ON PINS ARE ACCEPTABLE

LEGEND

5569-03A***-*

SERIES NO. []
 CIRCUIT SIZE []
 ASSEMBLY []
 MOUNTING & RAMP OPTION []

HOUSING MAT'L. OPTION (SEE NOTE 1)
 PLATING OPTION (SEE NOTE 2)

3 = SCREW MOUNT, POSITIVE RAMP
 4 = PEG MOUNT, POSITIVE RAMP
 5 = PEG MOUNT, PASSIVE RAMP
 8 = PRESS FIT PEG, POSITIVE RAMP

ADD -130 MATERIAL	QUALITY SYMBOLS	GENERAL TOLERANCES (UNLESS SPECIFIED)	DIMENSION STYLE	SCALE	DESIGN UNITS	THIRD ANGLE PROJECTION
EC NO: UCP2015-1291	▽=0	mm	IN/MM	10:1	METRIC	☉
DRW:NGUYEN 2014/11/21	▽=0	INCH	DRAWN BY	DATE	TITLE	
CHKD:JBELL 2014/11/21	▽=0		GEP	9/20/90	RIGHT ANGLE HEADER ASSY, 3 CKT., SINGLE ROW, MINI-FIT JR. SERIES	
APPR:FSM/TH 2015/02/09	▽=0		CHECKED BY	DATE		
			RJF	9/20/90		
			APPROVED BY	DATE		
			FSM/TH	2014/05/16		
			MATERIAL NO.	DOCUMENT NO.		
			SEE CHART	SDA-5569-03A**		
			ANGULAR ± 3°			
			DRAFT WHERE APPLICABLE MUST REMAIN WITHIN DIMENSIONS			
			SIZE			
			C			

molex

THIS DRAWING CONTAINS INFORMATION THAT IS PROPRIETARY TO MOLEX INCORPORATED AND SHOULD NOT BE USED WITHOUT WRITTEN PERMISSION

SHEET NO. 1 OF 1