



MICROCHIP

**PIC32MK MCM Curiosity Pro
User's Guide**

Note the following details of the code protection feature on Microchip devices:

- Microchip products meet the specification contained in their particular Microchip Data Sheet.
- Microchip believes that its family of products is one of the most secure families of its kind on the market today, when used in the intended manner and under normal conditions.
- There are dishonest and possibly illegal methods used to breach the code protection feature. All of these methods, to our knowledge, require using the Microchip products in a manner outside the operating specifications contained in Microchip's Data Sheets. Most likely, the person doing so is engaged in theft of intellectual property.
- Microchip is willing to work with the customer who is concerned about the integrity of their code.
- Neither Microchip nor any other semiconductor manufacturer can guarantee the security of their code. Code protection does not mean that we are guaranteeing the product as "unbreakable."

Code protection is constantly evolving. We at Microchip are committed to continuously improving the code protection features of our products. Attempts to break Microchip's code protection feature may be a violation of the Digital Millennium Copyright Act. If such acts allow unauthorized access to your software or other copyrighted work, you may have a right to sue for relief under that Act.

Information contained in this publication regarding device applications and the like is provided only for your convenience and may be superseded by updates. It is your responsibility to ensure that your application meets with your specifications. MICROCHIP MAKES NO REPRESENTATIONS OR WARRANTIES OF ANY KIND WHETHER EXPRESS OR IMPLIED, WRITTEN OR ORAL, STATUTORY OR OTHERWISE, RELATED TO THE INFORMATION, INCLUDING BUT NOT LIMITED TO ITS CONDITION, QUALITY, PERFORMANCE, MERCHANTABILITY OR FITNESS FOR PURPOSE. Microchip disclaims all liability arising from this information and its use. Use of Microchip devices in life support and/or safety applications is entirely at the buyer's risk, and the buyer agrees to defend, indemnify and hold harmless Microchip from any and all damages, claims, suits, or expenses resulting from such use. No licenses are conveyed, implicitly or otherwise, under any Microchip intellectual property rights unless otherwise stated.

Trademarks

The Microchip name and logo, the Microchip logo, Adaptec, AnyRate, AVR, AVR logo, AVR Freaks, BesTime, BitCloud, chipKIT, chipKIT logo, CryptoMemory, CryptoRF, dsPIC, FlashFlex, flexPWR, HELDO, IGLOO, JukeBlox, KeeLoq, Kleer, LANCheck, LinkMD, maXStylus, maXTouch, MediaLB, megaAVR, Microsemi, Microsemi logo, MOST, MOST logo, MPLAB, OptoLyzer, PackeTime, PIC, picoPower, PICSTART, PIC32 logo, PolarFire, Prochip Designer, QTouch, SAM-BA, SenGenuity, SpyNIC, SST, SST Logo, SuperFlash, Symmetricom, SyncServer, Tachyon, TempTracker, TimeSource, tinyAVR, UNI/O, Vectron, and XMEGA are registered trademarks of Microchip Technology Incorporated in the U.S.A. and other countries.

APT, ClockWorks, The Embedded Control Solutions Company, EtherSynch, FlashTec, Hyper Speed Control, HyperLight Load, IntelliMOS, Libero, motorBench, mTouch, Powermite 3, Precision Edge, ProASIC, ProASIC Plus, ProASIC Plus logo, Quiet-Wire, SmartFusion, SyncWorld, Temux, TimeCesium, TimeHub, TimePictra, TimeProvider, Vite, WinPath, and ZL are registered trademarks of Microchip Technology Incorporated in the U.S.A.

Adjacent Key Suppression, AKS, Analog-for-the-Digital Age, Any Capacitor, AnyIn, AnyOut, BlueSky, BodyCom, CodeGuard, CryptoAuthentication, CryptoAutomotive, CryptoCompanion, CryptoController, dsPICDEM, dsPICDEM.net, Dynamic Average Matching, DAM, ECAN, EtherGREEN, In-Circuit Serial Programming, ICSP, INICnet, Inter-Chip Connectivity, JitterBlocker, KleerNet, KleerNet logo, memBrain, Mindi, MiWi, MPASM, MPF, MPLAB Certified logo, MPLIB, MPLINK, MultiTRAK, NetDetach, Omniscient Code Generation, PICDEM, PICDEM.net, PICkit, PICtail, PowerSmart, PureSilicon, QMatrix, REAL ICE, Ripple Blocker, SAM-ICE, Serial Quad I/O, SMART-I.S., SQR, SuperSwitcher, SuperSwitcher II, Total Endurance, TSHARC, USBCheck, VariSense, ViewSpan, WiperLock, Wireless DNA, and ZENA are trademarks of Microchip Technology Incorporated in the U.S.A. and other countries.

SQTP is a service mark of Microchip Technology Incorporated in the U.S.A.

The Adaptec logo, Frequency on Demand, Silicon Storage Technology, and Symmcom are registered trademarks of Microchip Technology Inc. in other countries.

GestIC is a registered trademark of Microchip Technology Germany II GmbH & Co. KG, a subsidiary of Microchip Technology Inc., in other countries.

All other trademarks mentioned herein are property of their respective companies.

© 2020, Microchip Technology Incorporated, All Rights Reserved.

For information regarding Microchip's Quality Management Systems, please visit www.microchip.com/quality.

ISBN: 978-1-5224-5728-2



PIC32MK MCM CURIOSITY PRO USER'S GUIDE

Table of Contents

Preface	7
Chapter 1. Introduction	
1.1 Kit Contents	13
1.2 Kit Functionality and Features	14
Chapter 2. Hardware	
2.1 Hardware Features	17
Appendix A. Schematics	
A.1 Block Diagram	21
A.2 Schematics	22
Appendix B. Bill of Materials	
B.1 PIC32MK MCM Curiosity Pro Bill of Materials	27
Worldwide Sales and Service	30

NOTES:

Preface

NOTICE TO CUSTOMERS

All documentation becomes dated, and this manual is no exception. Microchip tools and documentation are constantly evolving to meet customer needs, so some actual dialogs and/or tool descriptions may differ from those in this document. Please refer to our web site (www.microchip.com) to obtain the latest documentation available.

Documents are identified with a “DS” number. This number is located on the bottom of each page, in front of the page number. The numbering convention for the DS number is “DSXXXXXXXXA”, where “XXXXXXXX” is the document number and “A” is the revision level of the document.

For the most up-to-date information on development tools, see the MPLAB® IDE online help. Select the Help menu, and then Topics to open a list of available online help files.

INTRODUCTION

This chapter contains general information that will be useful to know before using the PIC32MK MCM Curiosity Pro. Items discussed in this chapter include:

- [Document Layout](#)
- [Conventions Used in this Guide](#)
- [Recommended Reading](#)
- [The Microchip Web Site](#)
- [Development Systems Customer Change Notification Service](#)
- [Customer Support](#)
- [Document Revision History](#)

DOCUMENT LAYOUT

This document describes how to use the PIC32MK MCM Curiosity Pro as a development tool to emulate and debug firmware on a target board. This user's guide is composed of the following chapters:

- **Chapter 1. “Introduction”** provides a brief overview of the starter kit, highlighting its features and functionality.
- **Chapter 2. “Hardware”** provides the hardware descriptions of the starter kit.
- **Appendix A. “Schematics”** provides a block diagram, board layouts, and detailed schematics of the starter kit.
- **B.1 “APPENDIX B: Bill of Materials”** provides the bill of materials for the components used in the design and manufacture of the starter kit.

CONVENTIONS USED IN THIS GUIDE

This manual uses the following documentation conventions:

DOCUMENTATION CONVENTIONS

Description	Represents	Examples
Italic characters	Referenced books	<i>MPLAB IDE User's Guide</i>
	Emphasized text	...is the <i>only</i> compiler...
Initial caps	A window	the Output window
	A dialog	the Settings dialog
	A menu selection	select Enable Programmer
Quotes	A field name in a window or dialog	"Save project before build"
Underlined, italic text with right angle bracket	A menu path	<u><i>File>Save</i></u>
Bold characters	A dialog button	Click OK
	A tab	Click the Power tab
Text in angle brackets < >	A key on the keyboard	Press <Enter>, <F1>
Plain Courier New	Sample source code	#define START
	Filenames	autoexec.bat
	File paths	c:\mcc18\h
	Keywords	_asm, _endasm, static
	Command-line options	-Opa+, -Opa-
	Bit values	0, 1
	Constants	0xFF, 'A'
<i>Italic Courier New</i>	A variable argument	<i>file.o</i> , where <i>file</i> can be any valid filename
Square brackets []	Optional arguments	mcc18 [options] <i>file</i> [options]
Curly brackets and pipe character: { }	Choice of mutually exclusive arguments; an OR selection	errorlevel {0 1}
Ellipses...	Replaces repeated text	var_name [, var_name...]
	Represents code supplied by user	void main (void) { ... }
Notes	A Note presents information that we want to re-emphasize, either to help you avoid a common pitfall or to make you aware of operating differences between some device family members. A Note can be in a box, or when used in a table or figure, it is located at the bottom of the table or figure.	Note: This is a standard note box.
		<div style="border: 2px solid black; padding: 5px; text-align: center;"> <p>CAUTION</p> <p>This is a caution note.</p> </div> <p>Note 1: This is a note used in a table.</p>

RECOMMENDED READING

This user's guide describes how to use the starter kit. The following Microchip documents are available and recommended as supplemental reference resources.

PIC32MK General Purpose Family Data Sheet (DM320106)

Refer to this document for detailed information on PIC32MK GP family devices. Reference information found in this data sheet includes:

- Device memory maps
- Device pinout and packaging details
- Device electrical specifications
- List of peripherals included on the devices

MPLAB[®] XC32 C/C++ Compiler User's Guide (DS50001686)

This document details the use of Microchip's MPLAB XC32 C/C++ Compiler to develop an application.

MPLAB[®] X IDE User's Guide (DS50002027)

Refer to this document for more information pertaining to the installation and implementation of the MPLAB X IDE software, as well as the MPLAB SIM Simulator software that is included with it.

Universal Serial Bus Specification and Associated Documents

The Universal Serial Bus is defined by the USB 2.0 specification and its associated supplements and class-specific documents. These documents are available from the USB Implementers Forum. See their web site at: <http://www.usb.org>

THE MICROCHIP WEB SITE

Microchip provides online support via our web site at <http://www.microchip.com>. This web site makes files and information easily available to customers. Accessible by most Internet browsers, the web site contains the following information:

- **Product Support** – Data sheets and errata, application notes and sample programs, design resources, user's guides and hardware support documents, latest software releases and archived software
- **General Technical Support** – Frequently Asked Questions (FAQs), technical support requests, online discussion groups, Microchip consultant program member listings
- **Business of Microchip** – Product selector and ordering guides, latest Microchip press releases, listings of seminars and events; and listings of Microchip sales offices, distributors and factory representatives

DEVELOPMENT SYSTEMS CUSTOMER CHANGE NOTIFICATION SERVICE

Microchip's customer notification service helps keep customers current on Microchip products. Subscribers will receive e-mail notification whenever there are changes, updates, revisions or errata related to a specified product family or development tool of interest.

To register, access the Microchip web site at www.microchip.com, click on Customer Change Notification and follow the registration instructions.

The Development Systems product group categories are:

- **Compilers** – The latest information on Microchip C compilers and other language tools
- **Emulators** – The latest information on the Microchip in-circuit emulator, MPLAB REAL ICE™
- **In-Circuit Debuggers** – The latest information on the Microchip in-circuit debugger, MPLAB ICD 3 / MPLAB ICD 4
- **MPLAB X IDE** – The latest information on Microchip MPLAB X IDE, the Windows® Integrated Development Environment for development systems tools
- **Programmiers** – The latest information on Microchip programmers including the PICkit™ 3 / PICkit™ 4 development programmer

CUSTOMER SUPPORT

Users of Microchip products can receive assistance through several channels:

- Distributor or Representative
- Local Sales Office
- Field Application Engineer (FAE)
- Technical Support

Customers should contact their distributor, representative or field application engineer (FAE) for support. Local sales offices are also available to help customers. A listing of sales offices and locations is included in the back of this document.

Technical support is available through the web site at: <http://support.microchip.com>

DOCUMENT REVISION HISTORY

Revision A (March 2020)

This is the initial released version of this document.

NOTES:

Chapter 1. Introduction

Thank you for purchasing a Microchip Technology PIC32MK MCM Curiosity Pro development board. This development board provides a low-cost, modular development system for Microchip's line of 32-bit microcontrollers.

For a free Microchip demonstration code and additional information, visit the MPLAB Harmony web page at: <http://www.microchip.com/MPLABHarmony>. The MPLAB Harmony Integrated Software Framework includes several demonstrations that have configurations for the PIC32MK GP Development Board.

These demonstrations are available in the `<install-dir>/apps` folder of the MPLAB Harmony installation, where `<install-dir>` is either `:/microchip/harmony/<version>` (for Windows OS) or `~/microchip/harmony/<version>` (for MAC or Linux OS).

For additional information on demonstrations and for building/running steps, refer to the documents available in the `<install-dir>/doc` folder.

This chapter covers the following topics:

- [Kit Contents](#)
- [Starter Kit Functionality and Features](#)

The preprogrammed example code on the PIC32MK MCM family MCU is available for download from the Microchip web site at: <http://www.microchip.com/design-centers/32-bit>. All project files are included, hence the code may be used to restore the PIC32MK MCM family MCU on the starter kit to its original state (that is, if the sample device is reprogrammed with another program) or you can use the tutorial code as a platform for further experiment.

1.1 KIT CONTENTS

The PIC32MK MCM Curiosity Pro kit contains the following items:

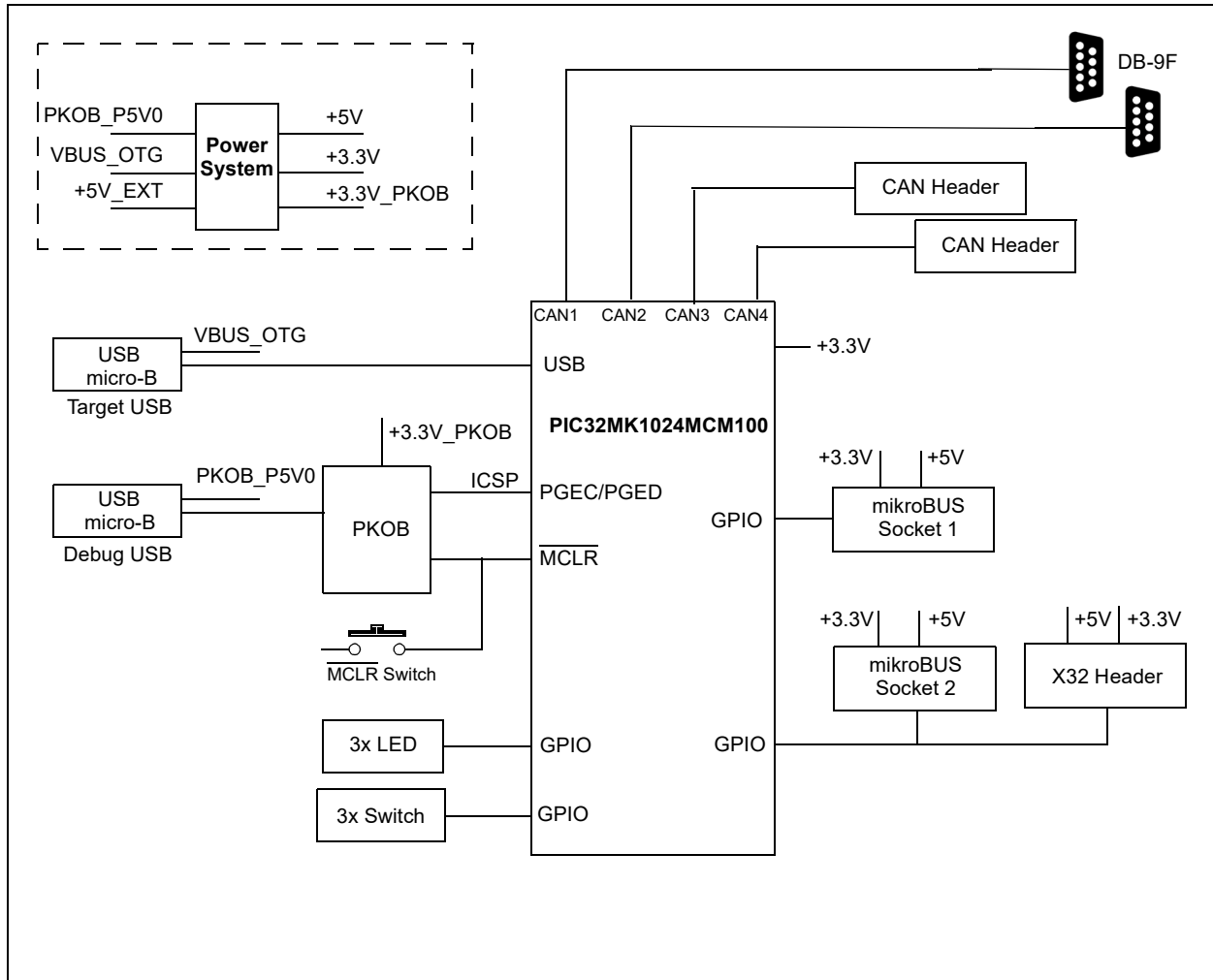
- PIC32MK MCM Curiosity Pro development board
- Micro-B USB cable to full-size Type-A cable, PIC32 USB cable to communicate with the PIC32 USB port

Note: If you are missing any part of a PIC32MK MCM Curiosity Prokit, contact a Microchip sales office for assistance. A list of Microchip offices for sales and service is provided on the last page of this document.

1.2 BLOCK DIAGRAM

Figure 1-1 illustrates the high-level block diagram of the PIC32MK MCM Curiosity Pro.

FIGURE 1-1: PIC32MK MCM CURIOSITY PRO BLOCK DIAGRAM



1.3 KIT FUNCTIONALITY AND FEATURES

1.3.1 Development Board

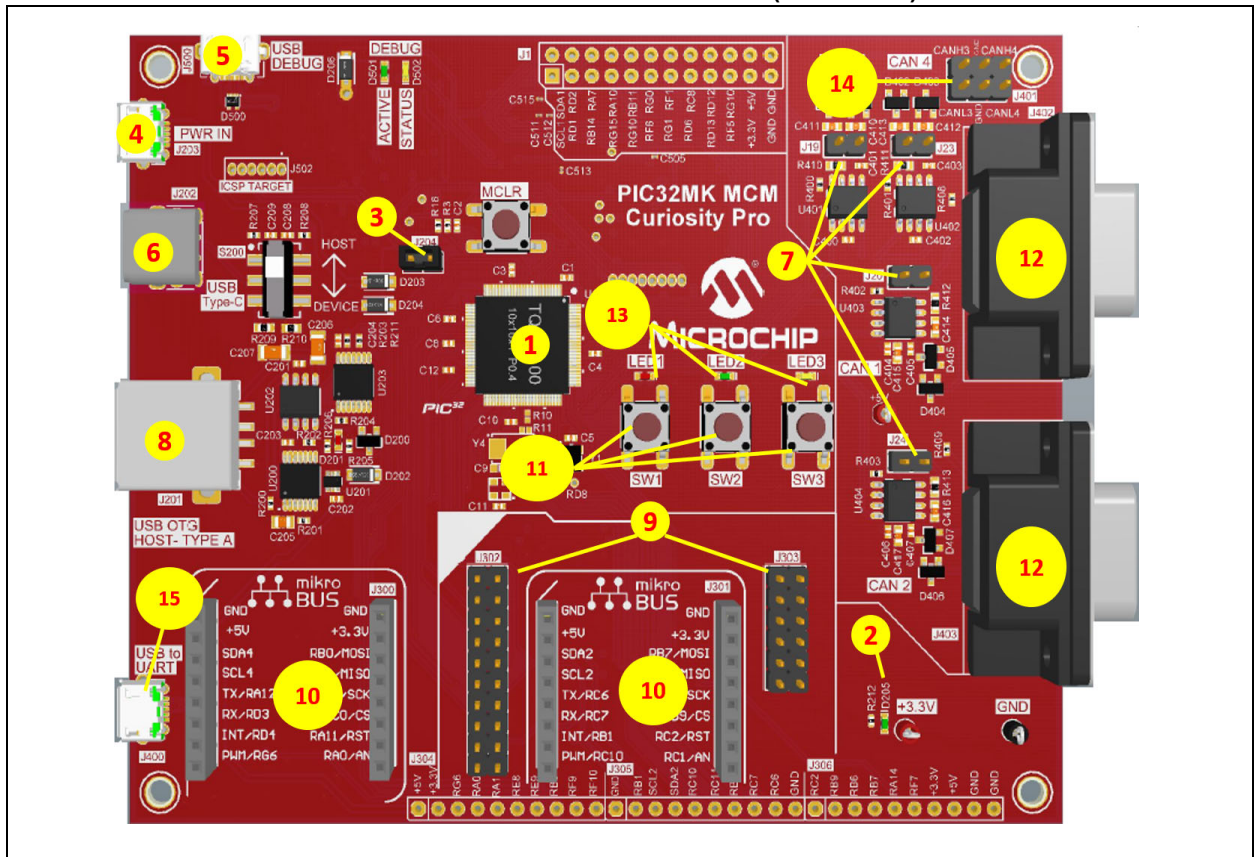
Representations of the layout of the development board included in the PIC32MK MCM Curiosity Pro are shown in [Figure 1-2](#) and [Figure 1-3](#).

The top assembly of the PIC32MK MCM Curiosity Board includes these key features, as indicated in [Figure 1-2](#):

1. PIC32MK1024MCM100
2. Green power indicator LED
3. Power diode shunt
4. Power in
5. Mini-USB 2.0 connector (debug)
6. USB Type-C connection
7. CAN 120 Ohm terminations
8. USB Type-A receptacle connectivity for PIC32 host-based applications
9. X32 header
10. MikroBus socket
11. Three user-defined switches
12. DB-9F CAN connectors
13. Three user-defined LEDs
14. CAN 3 & 4 header connectors.
15. USB to UART Bridge

For additional information about these features, refer to [Chapter 2. "Hardware"](#).

FIGURE 1-2: PIC32MK MCM CURIOSITY PRO LAYOUT (TOP VIEW)

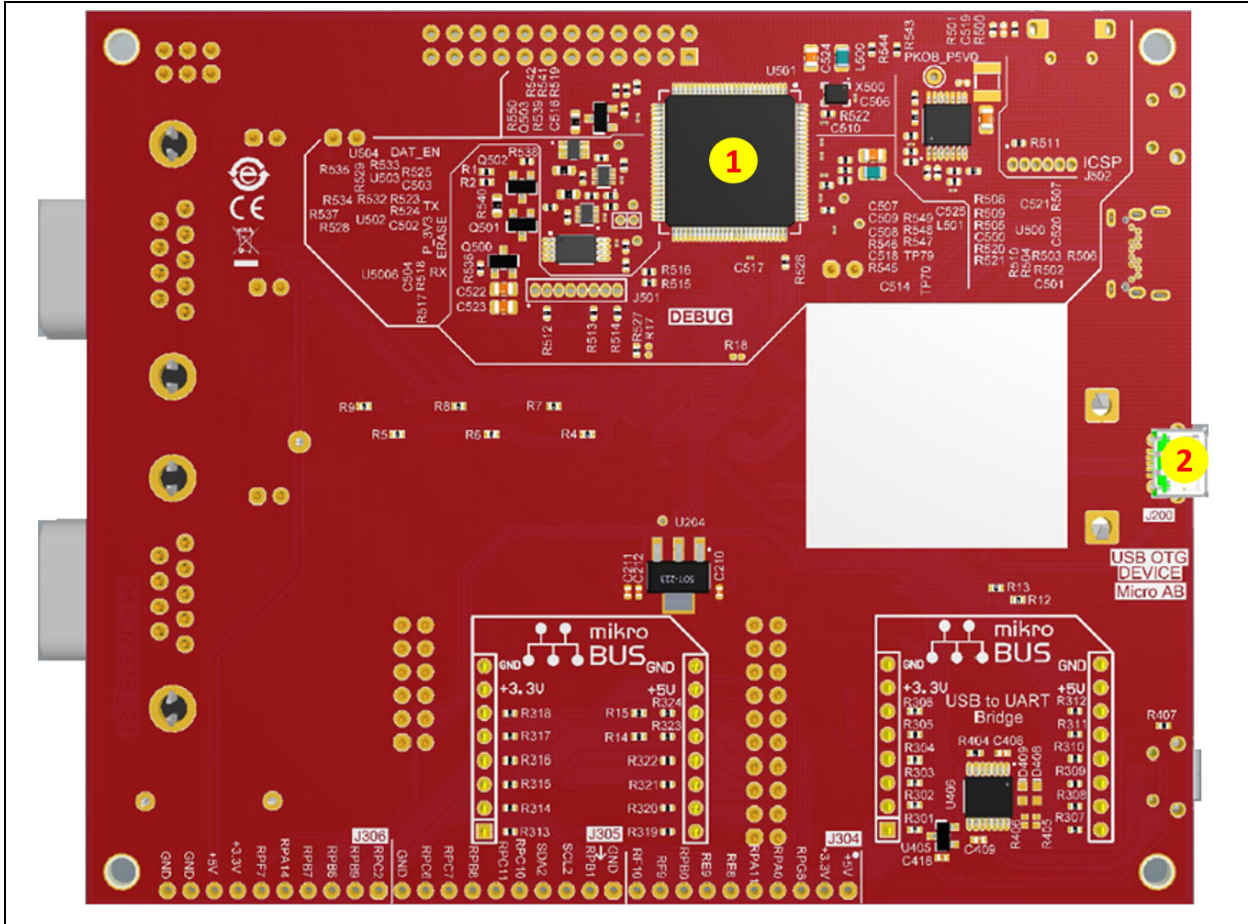


PIC32MK GP Development Board User's Guide

The bottom assembly of the PIC32MK MCM Curiosity Pro includes these key features, as indicated in [Figure 1-3](#):

1. Pickit On Board (PKoB4) Debugger IC
2. USB OTG Connector for PIC32 USB OTG applications.

FIGURE 1-3: PIC32MK MCM CURIOSITY PRO LAYOUT (BOTTOM VIEW)



Chapter 2. Hardware

This chapter describes the hardware features of the PIC32MK MCM Curiosity Pro development board.

2.1 HARDWARE FEATURES

The following key features of the development board are presented in the order given in [Section 1.3 “Kit Functionality and Features”](#). See [Figure 1-2](#) for their locations on the development board.

2.1.1 Processor Support

The development board kit is designed with a permanently mounted (that is, soldered) processor, PIC32MK1024MCM100.

2.1.2 Power Supply

Power is supplied to the development board by a USB bus power, which is connected to the USB debug connector J500.

One green LED (D205) is provided to indicate the PIC32 device is powered up.

2.1.3 PIC32 USB Connectivity

Users can connect to the PIC32 USB microcontroller using any one of these options:

- Host mode – Connect the device to the Type-A connector J201, which is located on the top of the starter kit. If using the Debug USB port to power the Host port, install the jumper JP204 to short the back-power prevention diode. A maximum of ~400 mA can be supplied from the Debug USB port to the Host port using this method. If the full 500 mA supply is needed, an external supply must be connected to the application board, and jumper J204 must be removed to prevent back-powering the Debug USB port.
- Device mode – Connect the debug mini-B USB cable to port J500 and then connect the starter kit to the host by using a cable with a Type-B micro-connector to the starter kit's micro-A/B port J200. The other end of the cable must have a Type-A connector. Connect the Type-A connector to a USB host. Jumper J204 must be removed.
- OTG mode – Connect the starter kit to the OTG device using an OTG micro-A/B cable to the micro-A/B port J200, which is located on the bottom of the board. The starter kit provides an on-board power supply capable of providing 120 mA maximum. This supply is controlled by the PIC32MK1024MCM100 device. Jumper J204 must be removed.

2.1.4 Switches

Push button switches provide the following functionality:

- S1: Active-low switch connected to RG11
- S2: Active-low switch connected to RF13
- S3: Active-low switch connected to RF12
- \overline{MCLR} : Connected to Microcontroller/MCLR

These switches do not have any debounce circuitry and require internal pull-up resistors, this enables the user to investigate software debounce techniques. When Idle, the switches are pulled high (+3.3V), and when pressed, they are grounded.

2.1.5 LEDs

The LEDs, LED1 through LED3, are connected to the PORTG pins (RG12 through RG14) of the processor. The PORTG pins are set high to illuminate the LEDs.

2.1.6 Oscillator Options

A 12 MHz oscillator circuit (Y4) is connected to the on-board microcontroller. This oscillator circuit functions as the controller's primary oscillator.

Use of an external crystal or external oscillator is required to develop USB applications. The USB specification dictates a frequency tolerance of $\pm 0.05\%$ for high speed. Non-USB applications can use the internal oscillators.

The development board kit also has provisions for an external secondary 32 kHz oscillator (Y4); however, this is not populated. A suitable oscillator, ECS-3X8, can be obtained from Digi-Key: P/N - X801-ND CMR200TB32.768KDZFTR.

The PKoB 4 Debugger IC is independently clocked and has its own 12 MHz clock oscillator.

2.1.7 mikroBUS™ Sockets

Two mikroBUS sockets, J300 and J301, are available on the development board. These sockets can be used to expand the functionality using the MikroElektronika Click adapter boards. The mikroBUS connector consists of two 1x8 female headers with SPI, I²C, UART, RST, PWM, analog, and interrupt lines as well as 3.3V, 5V, and GND power lines.

The GPIO pins for the mikroBUS sockets are assigned to route, as follows:

- UART4, I2C4, SPI6, and OC1 peripheral instances to mikroBUS socket J300
- UART3, I2C2, SPI2, and OC3 peripheral instances to mikroBUS socket J301

Note: UART3, I2C2, and SPI2 peripherals are also routed to the X32 audio header.

2.1.8 Audio Header

The PIC32MK MCM Curiosity Pro includes two X32 headers, J302 and J303, to enable a connection to the Microchip Audio Codec Daughter Board. [Table 2-2](#) provides the details of the available Audio Codec Daughter Board, and for additional information, contact your local Microchip sales office.

For a complete list of currently available Audio Codec Daughter Boards, visit the microchipDIRECT web site: www.microchipdirect.com.

TABLE 2-1: AUDIO CODEC DAUGHTER BOARD

Daughter Board	Part No.
PIC32 Audio Coded Daughter Board	AC320100

2.1.9 Peripheral Resource Assignment

The MCU peripheral instances, assigned for different hardware interfaces, are provided in [Table 2-2](#). The correct peripheral instance must be used in the application to use the respective hardware interface.

TABLE 2-2: RESOURCE ASSIGNMENT

Resource Assignment	Peripheral					Reference Clock
	I ² C	SPI	UART	Output Compare	Interrupt	
MikroBus1 (J300)	I2C4	SPI6	UART4	OC1	INT1	—
MikroBus2 (J301)	I2C2	SPI2	UART3	OC3	INT2	—
X32 (J302, J303)	I2C2	SPI2	UART3	—	—	REFCLK

2.1.10 PICKit™ on-board 4

MPLAB PICKit™ On-Board 4 (PKoB4) is a new generation of In-Circuit Debugger. The MPLAB PKoB4 programs faster than its predecessor and is design to use a high-speed 2.0 USB interface and provide a feature rich debugging experience through one USB cable. The PKoB4 is intended to support programming debugging and Data Gateway interface.

The MPLAB PKoB4 In-Circuit Debugger is compatible with these platforms:

- Microsoft Windows 7 or later
- Linux®
- macOS™

The MPLAB® PKoB4 In-Circuit Debugger system provides the following advantages:

Features/Capabilities:

- Connects to computer through, high-speed USB 2.0 (480 Mbits/s) cable
- Programs devices using MPLAB X IDE or MPLAB IPE
- Supports multiple hardware and software breakpoints, stopwatch, and source
- Code file debugging
- Debugs your application in real time
- Sets breakpoints based on internal events
- Monitors internal file registers
- Debugs at full speed
- Configures pin drivers
- Field-upgradeable through an MPLAB X IDE firmware download
- Virtual COM support, which can establish UART communication between host PC and the target device using the following UART configuration:
 - Baud rate: 115,200 bps
 - Only 8-bit character format
 - No hardware flow control
 - One stop-bit
- Adds new device support and features by installing the latest version of MPLAB X IDE (available as a free download at <https://www.microchip.com/mplabx/>)
- Indicates debugger status through on-board LEDs

Performance/Speed:

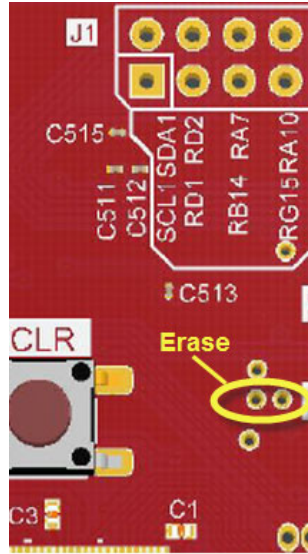
- More and faster memory
- A Real-Time Operating System (RTOS)
- No firmware download delays incurred when switching devices
- A 32-bit MCU running at 300 MHz

PIC32MK MCM Curiosity Pro User's Guide

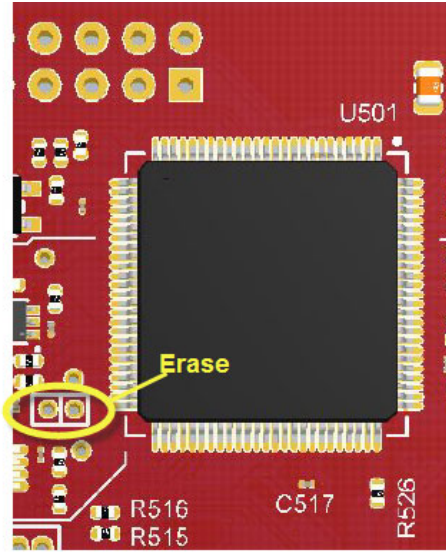
2.1.10.1 RECOVERY METHOD

If the PKoB4 becomes unresponsive, users can recover the tool by following these steps:

1. With the PIC32MK MCM Curiosity Pro still powered, short the 2 pads for approximately 10 seconds.

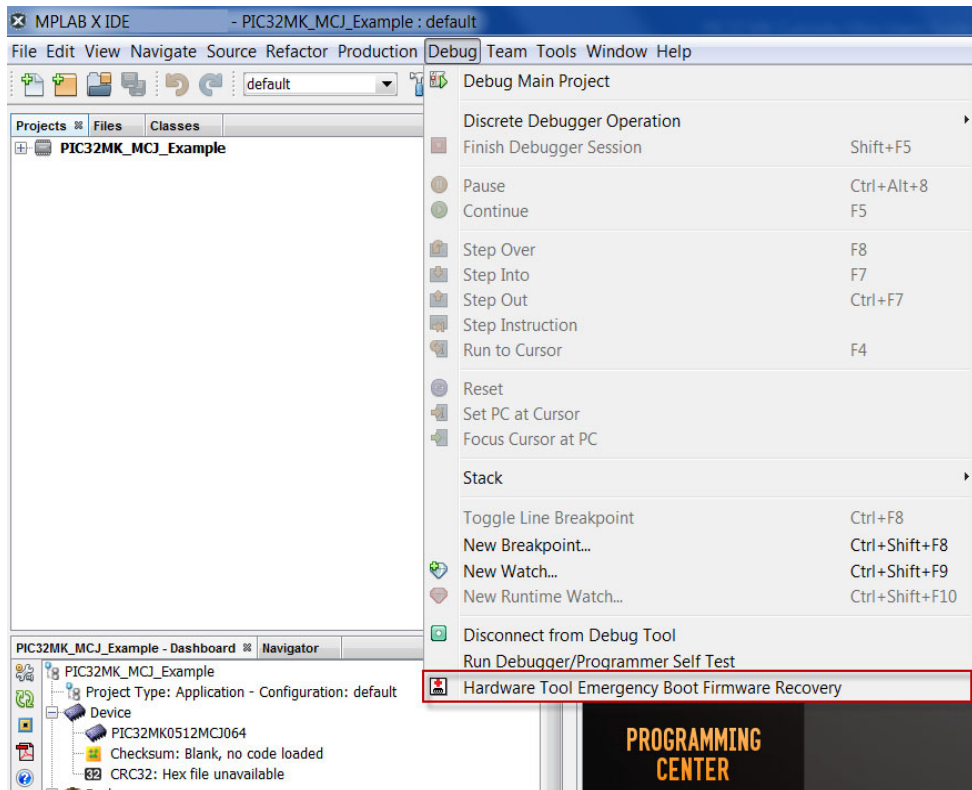


Top Side



Bottom Side

2. Open The latest version of MPLAB X IDE.
3. Click on *Debug > Hardware Tool Emergency Boot Firmware Recovery*.



4. Follow the instructions prompted on the screen. This will reset the tool back to the factory conditions.

For additional information on the PKoB4, refer to the “**MPLAB PICKit™4 In-Circuit Debugger User guide**” (DS50002751), which is available for download at the following location:

<http://ww1.microchip.com/downloads/en/DeviceDoc/MPLAB%20PICKit%204%20ICD%20Users%20Guide%20DS50002751C.pdf>

A.1 APPENDIX A: SCHEMATICS

FIGURE A-1: PIC32MK MCM CURIOSITY PRO SCHEMATICS (1 OF 5)

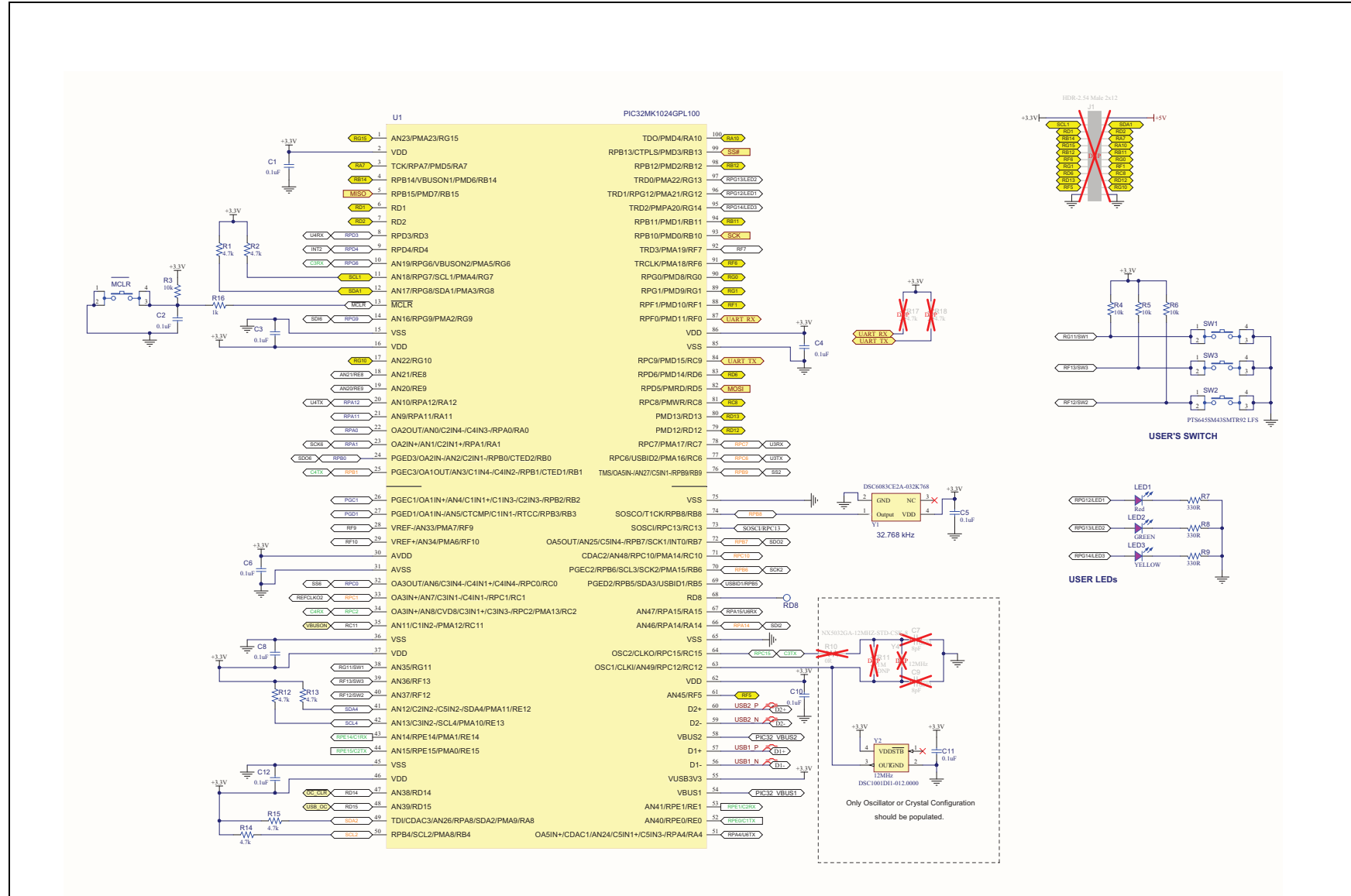


FIGURE A-2: SCHEMATICS (2 OF 5)

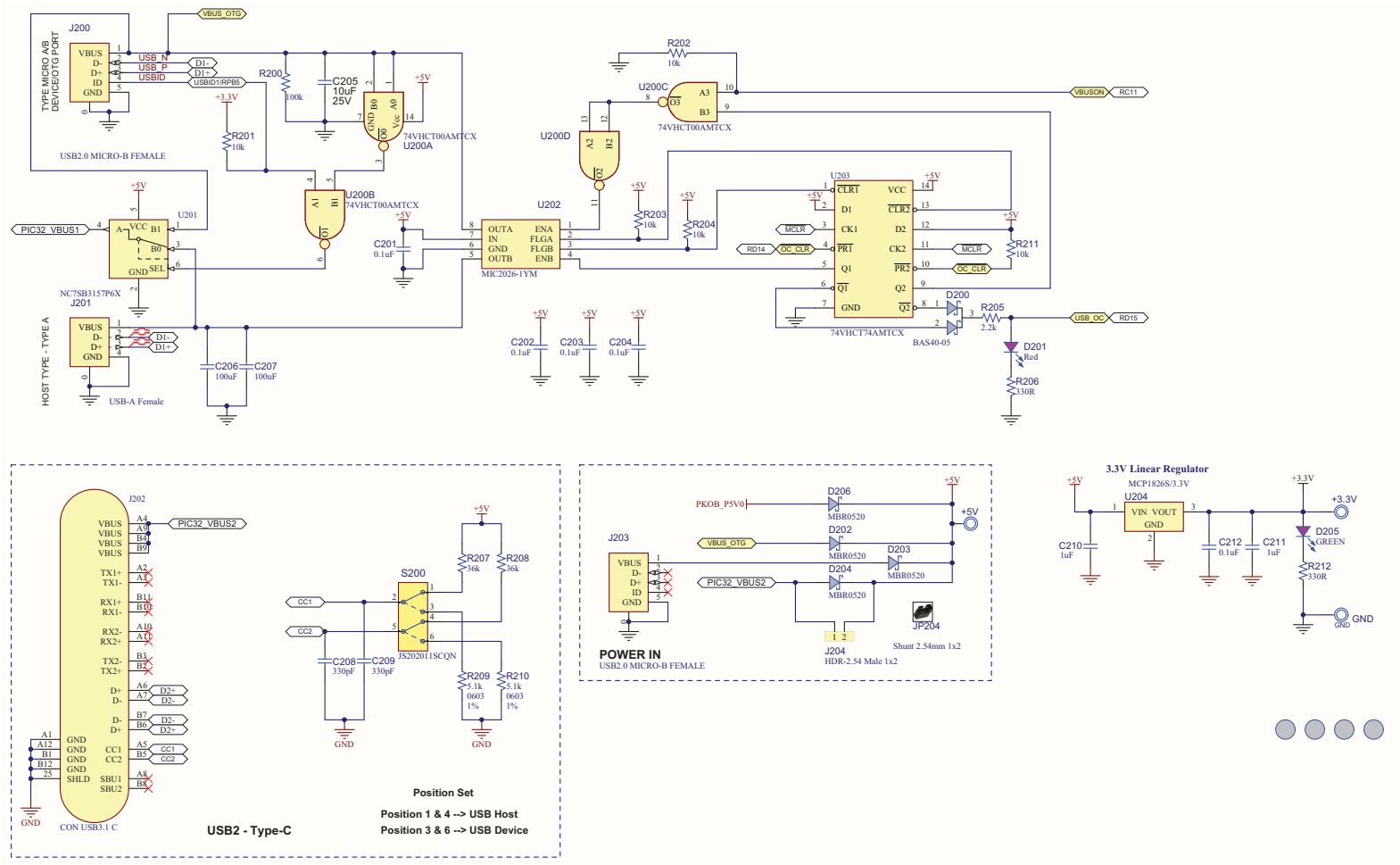


FIGURE A-3: SCHEMATICS (3 OF 5)

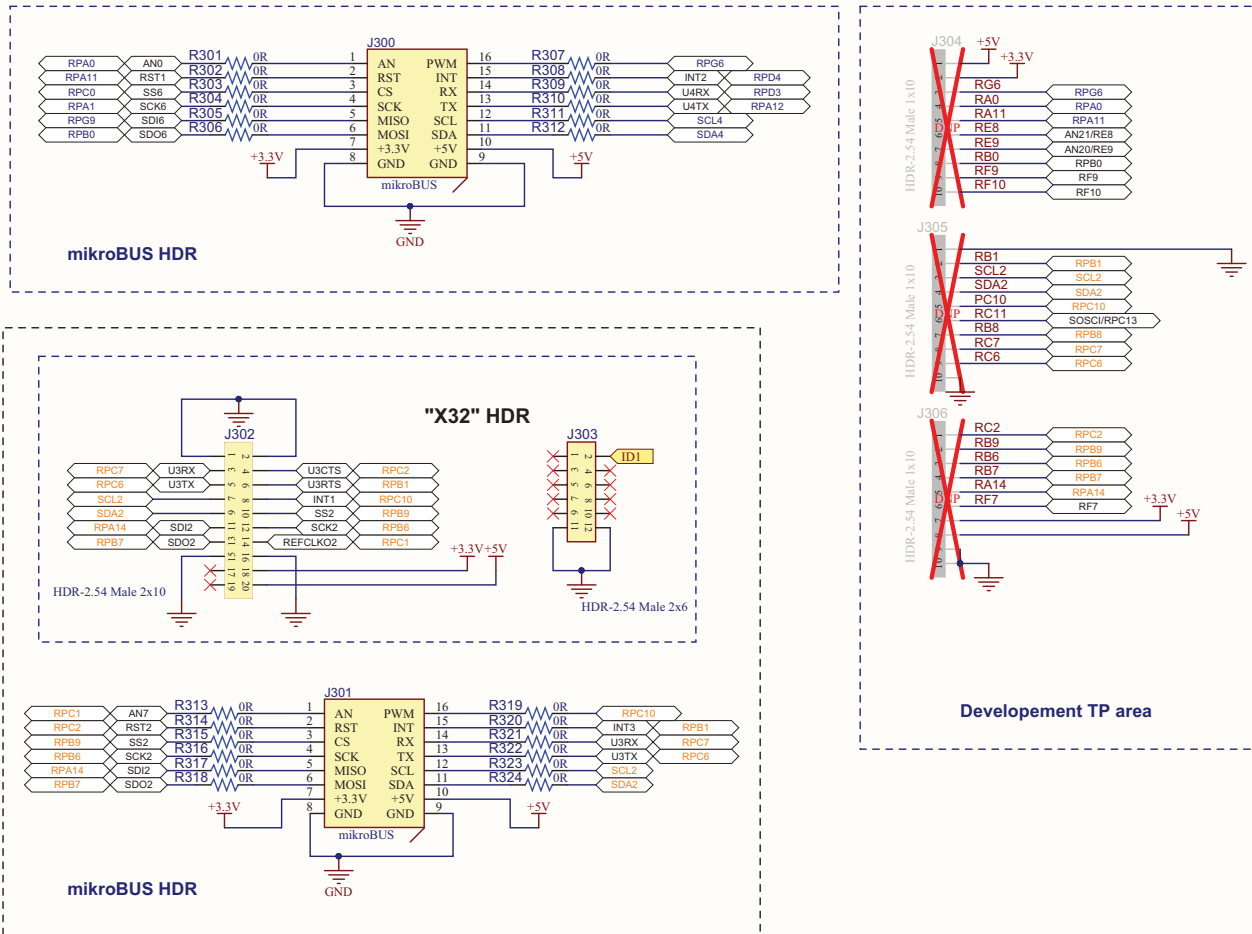


FIGURE A-4: SCHEMATICS (4 OF 5)

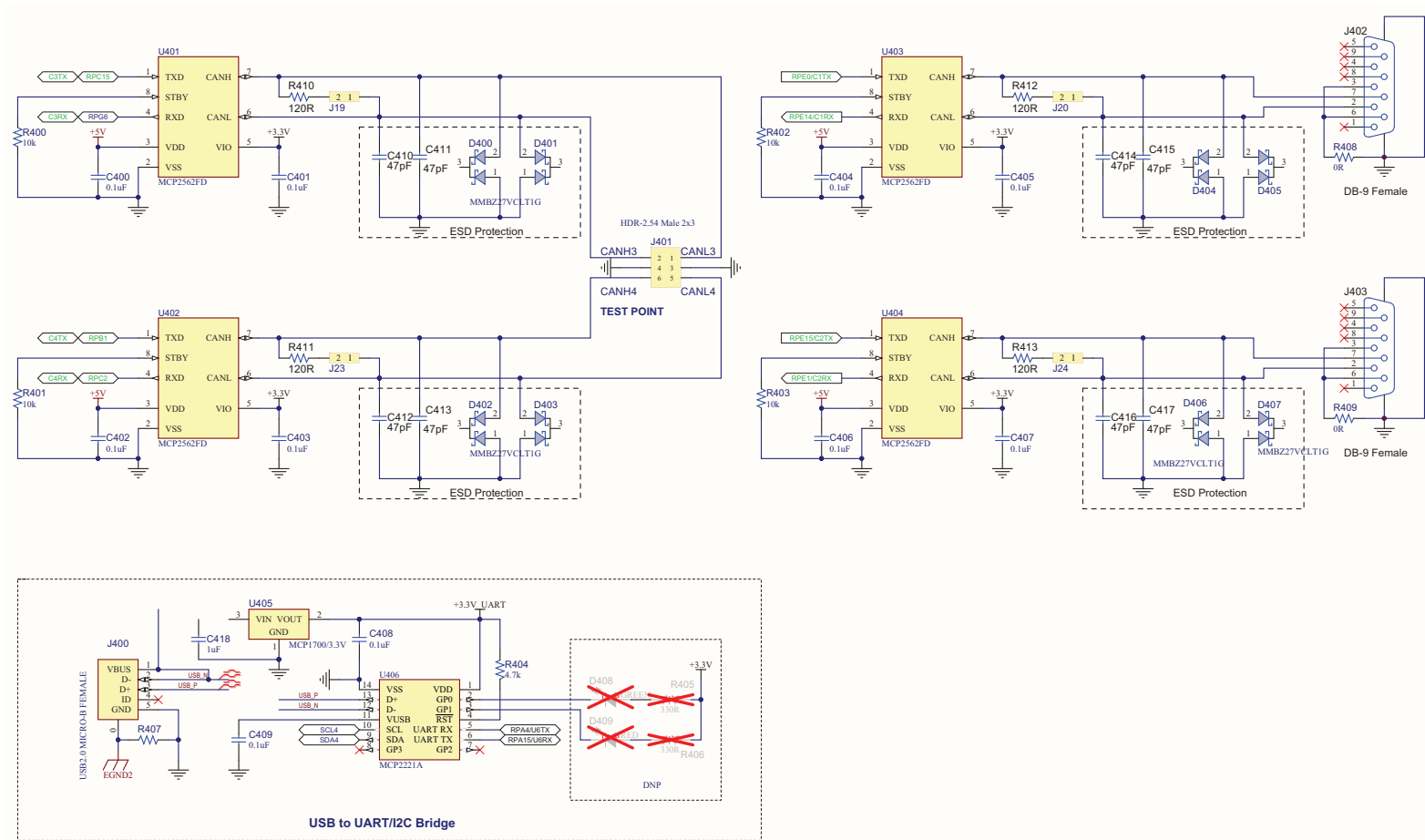
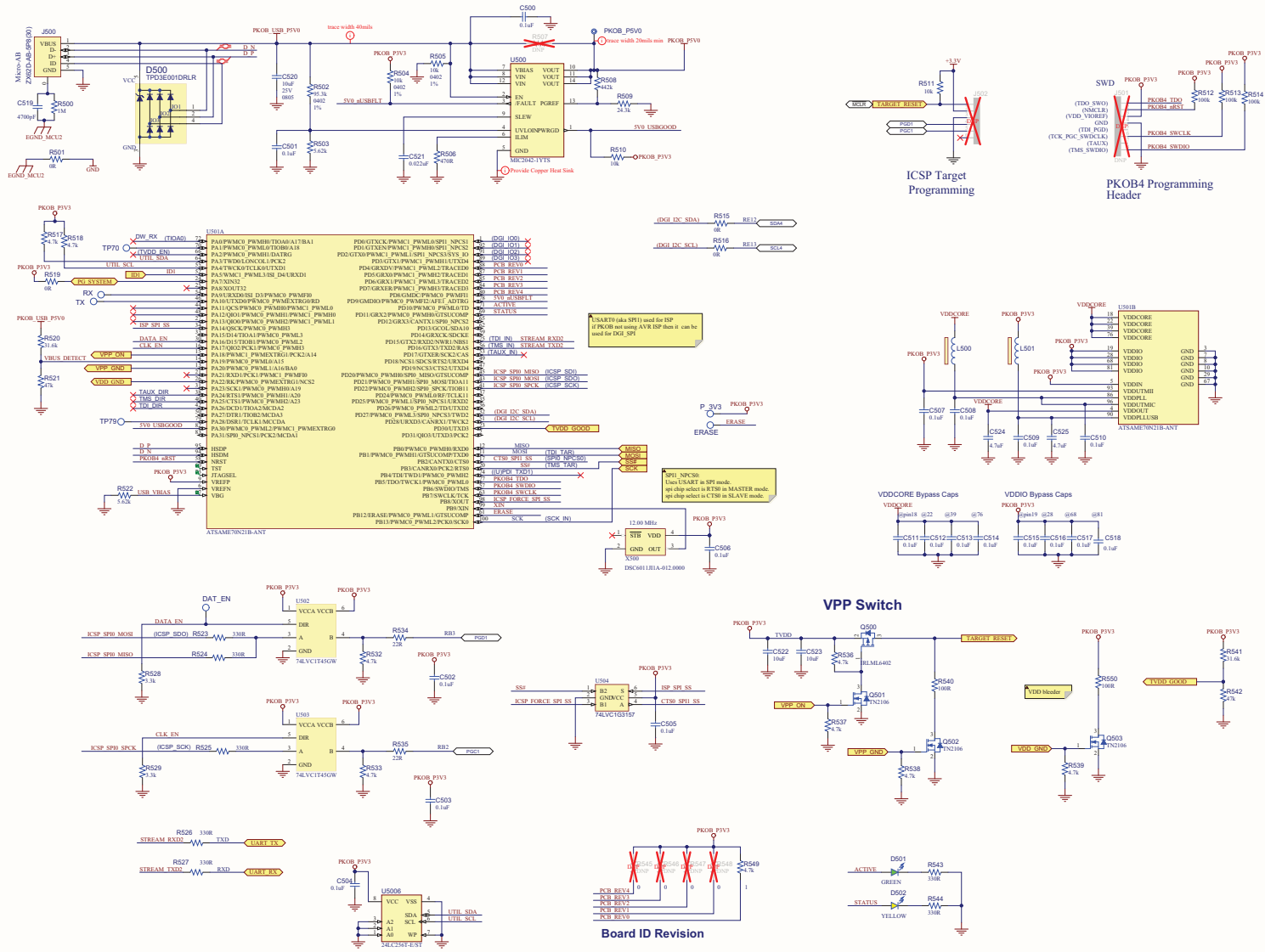


FIGURE A-1: SCHEMATICS (5 OF 5)



B.1 APPENDIX B: BILL OF MATERIALS

TABLE B-1: PIC32MK MCM CURIOSITY PRO BILL OF MATERIALS

QTY	DESIGNATOR	DESCRIPTION
25	C1, C2, C3, C4, C5, C6, C8, C10, C11, C12, C201, C202, C203, C204, C212, C400, C401, C402, C403, C404, C405, C406, C407, C408, C409	CAP CER 0.1uF 16V 10% X7R SMD 0402
19	C500, C501, C502, C503, C504, C505, C506, C507, C508, C509, C510, C511, C512, C513, C514, C515, C516, C517, C518	CAP CER 0.1µF 16V 10% X5R SMD 0201
2	C206, C207	CAP CER 100uF 10V 20% X5R SMD 1206
2	C208, C209	CAP CER 330pF 50V 5% NP0 SMD 0402
2	C213, C214	CAP CER 2.2uF 10V 10% X5R SMD 0402
3	C210, C211, C418	CAP CER 1uF 16V 10% X5R SMD 0402
4	C205, C520, C522, C523	CAP CER 10uF 25V 10% X5R SMD 0805
8	C410, C411, C412, C413, C414, C415, C416, C417	CAP CER 47pF 50V 5% NP0 SMD 0603
1	C521	CAP CER 0.022uF 16V 10% X7R SMD 0402
2	C524, C525	CAP CER 4.7uF 25V 10% X5R SMD 0805
1	D200	DIO SCTKYARR BAS40-05 1V 200mA 40V SOT-23-3
2	D201, LED1	DIO LED RED 1.75V 20mA CLEAR SMD 0603
3	D205, LED2, D501	DIO LED GREEN 2.2V 25mA 15mcd Clear SMD 0603
4	D202, D203, D204, D206	DIO SCTKY MBR0520 385mV 500mA 20V SOD-123
8	D400, D401, D402, D403, D404, D405, D406, D407	DIO TVS MMBZ27VCLT1G 22V 40W SOT-23-3
1	D500	TVS Diode Array TPD3E001DRLR
2	D502, LED3	'DIO LED YELLOW 2.1V 20mA 6mcd Clear SMD 0603
2	L500, L501	FERRITE 2A 600R SMD 0805
5	J19, J20, J23, J24, J204	CON HDR-2.54 Male 1x2 Gold 5.84MH TH VERT
3	J200, J203, J400	CON USB2.0 MICRO-B FEMALE TH/SMD R/A
1	J201	CON USB2.0 STD-A FEMALE SMD R/A
1	J202	CON USB3.0 TYPE-C FEMALE SMD R/A
4	J300, J301	SOCKET mikroBUS HOST DIP 16 TH
1	J302	CON HDR-2.54 Male 2x10 Gold 5.84MH TH VERT
1	J303	CON HDR-2.54 Male 2x6 Gold 5.84MH TH VERT
1	J401	CON HDR-2.54 Male 2x3 Gold 5.84MH TH VERT
2	J402, J403	CON DSUB DE-9 Female TH R/A
1	J500	CON USB2.0 Micro-AB Female ZX62D-AB-5P8(30) TOP MOUNT TH R/A
1	JP204	MECH HW JUMPER 2.54mm 1x2
1	GND	MISC, TEST POINT MULTI PURPOSE MINI BLACK
1	Q500	TRANS FET P-CH IRLML6402 -20V -3.7A 1.3W SOT-23-3
3	Q501, Q502, Q503	MCHP ANALOG MOSFET N-CH TN2106 60V 280mA 360mW 2.5R SOT23-3
16	R1, R2, R12, R13, R14, R15, R404, R517, R518, R532, R533, R536, R537, R538, R539, R549	RES TKF 4.7k 1% 1/16W SMD 0402

PIC32MK MCM Curiosity Pro User's Guide

QTY	DESIGNATOR	DESCRIPTION
14	R3, R4, R5, R6, R19, R20, R400, R401, R402, R403, R504, R505, R510, R511	RES TKF 10k 1% 1/10W SMD 0402
1	R500	RES TKF 1M 1% 1/10W SMD 0402
1	R16	RES TKF 1k 1% 1/10W SMD 0402
2	R21, R22	RES TKF 20k 1% 1/10W SMD 0402 AEC-Q200
4	R200, R512, R513, R514	RES TKF 100k 1% 1/10W SMD 0402
5	R201, R202, R203, R204, R211	RES TKF 10k 5% 1/10W SMD 0402
1	R205	RES TKF 2.2k 5% 1/16W SMD 0402
2	R207, R208	RES TKF 36k 1% 1/16W SMD 0402
2	R209, R210	RES TKF 5.1k 1% 1/10W SMD 0603
31	R301, R302, R303, R304, R305, R306, R307, R308, R309, R310, R311, R312, R313, R314, R315, R316, R317, R318, R319, R320, R321, R322, R323, R324, R407, R408, R409, R501, R515, R516, R519	RES TKF 0R 1/16W SMD 0402
4	R410, R411, R412, R413	RES TKF 120R 1% 1/10W SMD 0603
1	R502	RES TKF 95.3k 1% 1/16W SMD 0402
2	R503, R522	RES TKF 5.62k 1% 1/16W SMD 0402
1	R506	RES TKF 470R 1% 1/16W MF 0402
1	R508	RES TKF 442k 1% 1/16W SMD 0402
1	R509	RES TKF 24.3k 1% 1/16W SMD 0402
2	R520, R541	RES TKF 31.6k 1% 1/10W SMD 0402
2	R521, R542	RES TKF 47k 5% 1/10W SMD 0402
12	R7, R8, R9, R206, R212, R523, R524, R525, R526, R527, R543, R544	RES TKF 330R 1% 1/16W SMD 0402
2	R528, R529	RES TKF 3.3k 5% 1/10W SMD 0402
2	R534, R535	RES TKF 22 OHM 1% 1/10W SMD 0603
2	R540, R550	RES TKF 100R 5% 1/10W SMD 0603
1	U1	32-Bit CPU PIC32MK1024GPL100-I/PT
1	U200	IC GATE NAND 4CH 2-INP 14-TSSOP
1	U201	IC SWITCH SPDT SC70-6
1	U202	IC SWITCHER MIC2026-1YM Dual-Channel Power Distribution Switch SOIC-8
1	U203	IC D-TYPE POS TRG DUAL 14TSSOP
1	U204	MCHP ANALOG LDO 3.3V MCP1826S-3302E/DB SOT-223-3
1	U205	MCHP ANALOG LDO 3.3V MIC5528-3.3YMT-TR 6-TDFN
4	U401, U402, U403, U404	MCHP INTERFACE CAN MCP2562FD SOIC-8 PDIP-8
1	U405	MCHP ANALOG LDO 3.3V MCP1700T-3302E/TT SOT-23-3
1	U406	MCHP INTERFACE USB I2C UART MCP2221A-I/ST TSSOP-14
1	U500	MCHP ANALOG POWER SWITCH 5.5V 3A MIC2042-1YTS TSSOP-14
1	U5006	MCHP MEMORY SERIAL EEPROM 256k I2C 24LC256T-E/ST TSSOP-8
1	U501	MCHP MCU 32-BIT 300MHz 2MB 384kB ATSAME70N21B-ANT LQFP-100

QTY	DESIGNATOR	DESCRIPTION
2	U502, U503	IC TRANSCEIVER 74LVC1T45GW Single Bit Voltage Translator SOT-363
1	U504	IC SWITCH SPDT 74LVC1G3157 SC-70-6
1	X500	MCHP CLOCK OSCILLATOR SINGLE 12.000MHZ DSC6011-JI1A-012.0000 VLGA
1	Y1	MCHP CLOCK OSCILLATOR SINGLE 32.768Hz DSC6083CE2A-032K768 SMD DFN-4
1	Y2	MCHP CLOCK OSCILLATOR SINGLE 12.000MHZ DSC1001-DI1-012.0000 VDFN-4
2	+3.3V, +5V	MISC, TEST POINT MULTI PURPOSE MINI RED
4	MCLR, SW1, SW2, SW3	SWITCH TACT SPST 12V 50mA PTS645SM43SMTR92 LFS SMD
1	S200	SWITCH SLIDE DPDT 6V 300mA JS202011SCQN SMD

Legend: DNP = Do Not Place

NOTES:



MICROCHIP

Worldwide Sales and Service

AMERICAS

Corporate Office
2355 West Chandler Blvd.
Chandler, AZ 85224-6199
Tel: 480-792-7200
Fax: 480-792-7277
Technical Support:
<http://www.microchip.com/support>
Web Address:
www.microchip.com

Atlanta
Duluth, GA
Tel: 678-957-9614
Fax: 678-957-1455

Austin, TX
Tel: 512-257-3370

Boston
Westborough, MA
Tel: 774-760-0087
Fax: 774-760-0088

Chicago
Itasca, IL
Tel: 630-285-0071
Fax: 630-285-0075

Dallas
Addison, TX
Tel: 972-818-7423
Fax: 972-818-2924

Detroit
Novi, MI
Tel: 248-848-4000

Houston, TX
Tel: 281-894-5983

Indianapolis
Noblesville, IN
Tel: 317-773-8323
Fax: 317-773-5453
Tel: 317-536-2380

Los Angeles
Mission Viejo, CA
Tel: 949-462-9523
Fax: 949-462-9608
Tel: 951-273-7800

Raleigh, NC
Tel: 919-844-7510

New York, NY
Tel: 631-435-6000

San Jose, CA
Tel: 408-735-9110
Tel: 408-436-4270

Canada - Toronto
Tel: 905-695-1980
Fax: 905-695-2078

ASIA/PACIFIC

Australia - Sydney
Tel: 61-2-9868-6733

China - Beijing
Tel: 86-10-8569-7000

China - Chengdu
Tel: 86-28-8665-5511

China - Chongqing
Tel: 86-23-8980-9588

China - Dongguan
Tel: 86-769-8702-9880

China - Guangzhou
Tel: 86-20-8755-8029

China - Hangzhou
Tel: 86-571-8792-8115

China - Hong Kong SAR
Tel: 852-2943-5100

China - Nanjing
Tel: 86-25-8473-2460

China - Qingdao
Tel: 86-532-8502-7355

China - Shanghai
Tel: 86-21-3326-8000

China - Shenyang
Tel: 86-24-2334-2829

China - Shenzhen
Tel: 86-755-8864-2200

China - Suzhou
Tel: 86-186-6233-1526

China - Wuhan
Tel: 86-27-5980-5300

China - Xian
Tel: 86-29-8833-7252

China - Xiamen
Tel: 86-592-2388138

China - Zhuhai
Tel: 86-756-3210040

ASIA/PACIFIC

India - Bangalore
Tel: 91-80-3090-4444

India - New Delhi
Tel: 91-11-4160-8631

India - Pune
Tel: 91-20-4121-0141

Japan - Osaka
Tel: 81-6-6152-7160

Japan - Tokyo
Tel: 81-3-6880-3770

Korea - Daegu
Tel: 82-53-744-4301

Korea - Seoul
Tel: 82-2-554-7200

Malaysia - Kuala Lumpur
Tel: 60-3-7651-7906

Malaysia - Penang
Tel: 60-4-227-8870

Philippines - Manila
Tel: 63-2-634-9065

Singapore
Tel: 65-6334-8870

Taiwan - Hsin Chu
Tel: 886-3-577-8366

Taiwan - Kaohsiung
Tel: 886-7-213-7830

Taiwan - Taipei
Tel: 886-2-2508-8600

Thailand - Bangkok
Tel: 66-2-694-1351

Vietnam - Ho Chi Minh
Tel: 84-28-5448-2100

EUROPE

Austria - Wels
Tel: 43-7242-2244-39
Fax: 43-7242-2244-393

Denmark - Copenhagen
Tel: 45-4485-5910
Fax: 45-4485-2829

Finland - Espoo
Tel: 358-9-4520-820

France - Paris
Tel: 33-1-69-53-63-20
Fax: 33-1-69-30-90-79

Germany - Garching
Tel: 49-8931-9700

Germany - Haan
Tel: 49-2129-3766400

Germany - Heilbronn
Tel: 49-7131-72400

Germany - Karlsruhe
Tel: 49-721-625370

Germany - Munich
Tel: 49-89-627-144-0
Fax: 49-89-627-144-44

Germany - Rosenheim
Tel: 49-8031-354-560

Israel - Ra'anana
Tel: 972-9-744-7705

Italy - Milan
Tel: 39-0331-742611
Fax: 39-0331-466781

Italy - Padova
Tel: 39-049-7625286

Netherlands - Drunen
Tel: 31-416-690399
Fax: 31-416-690340

Norway - Trondheim
Tel: 47-7288-4388

Poland - Warsaw
Tel: 48-22-3325737

Romania - Bucharest
Tel: 40-21-407-87-50

Spain - Madrid
Tel: 34-91-708-08-90
Fax: 34-91-708-08-91

Sweden - Gothenberg
Tel: 46-31-704-60-40

Sweden - Stockholm
Tel: 46-8-5090-4654

UK - Wokingham
Tel: 44-118-921-5800
Fax: 44-118-921-5820