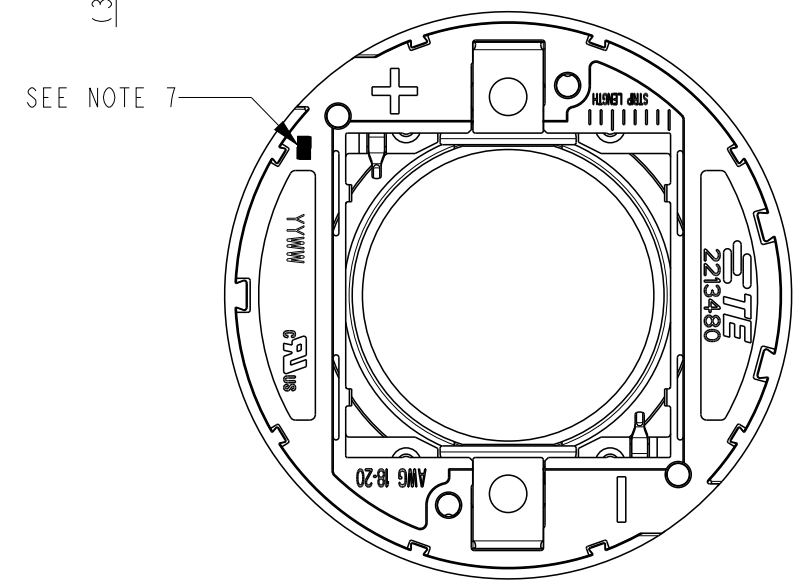
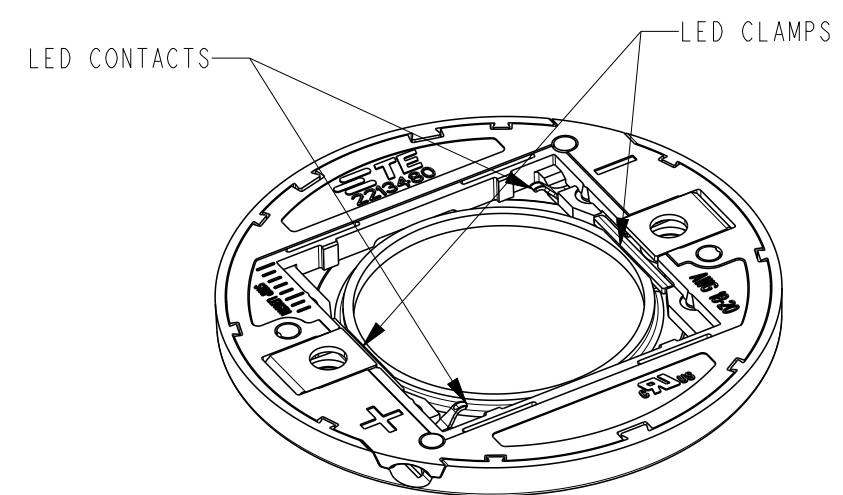
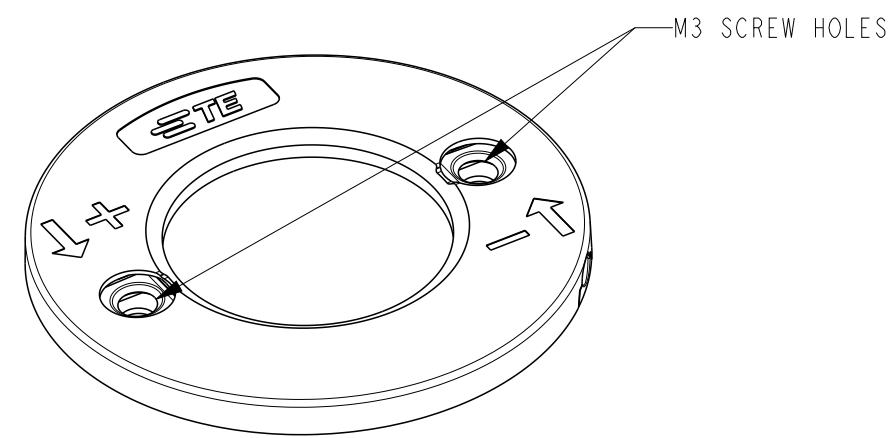
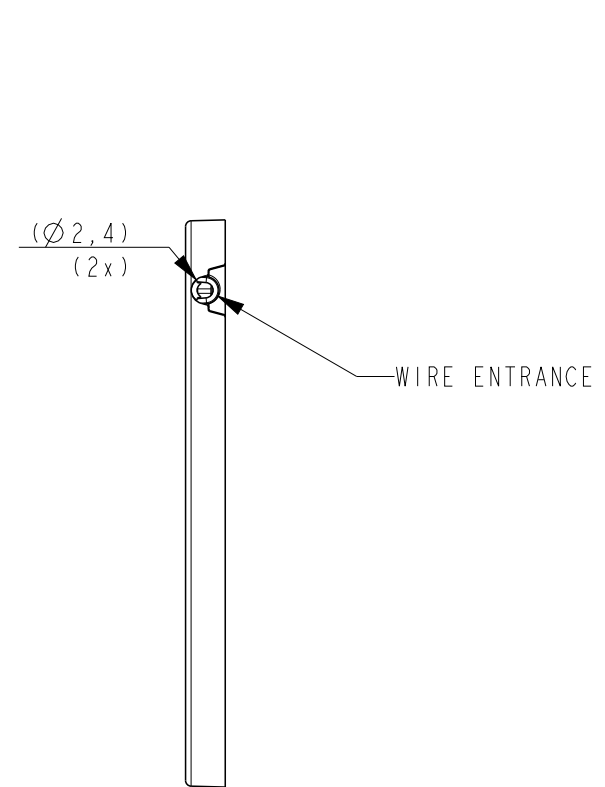
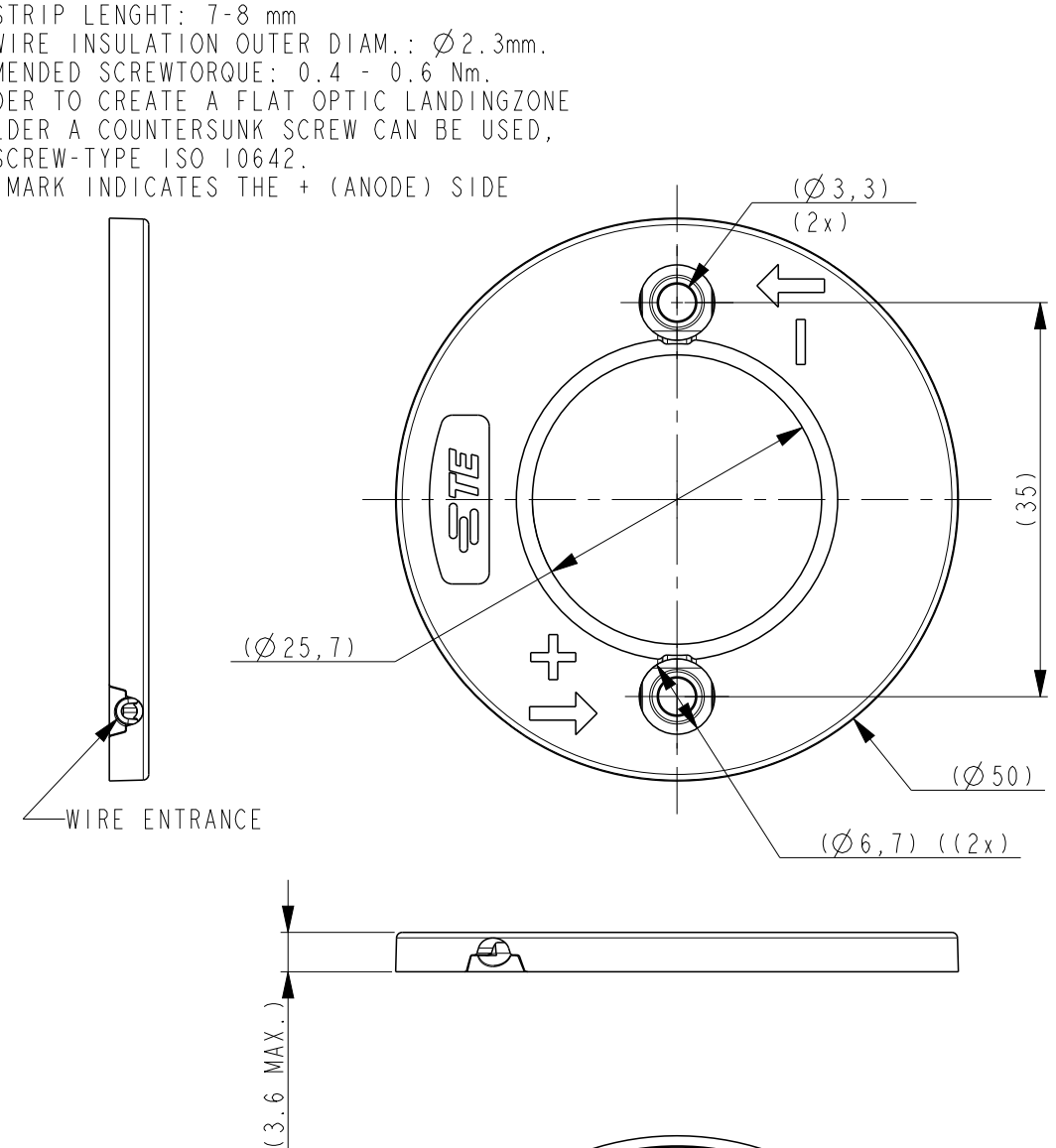


THIS DRAWING IS UNPUBLISHED. RELEASED FOR PUBLICATION
 © COPYRIGHT - BY TYCO ELECTRONICS CORPORATION. ALL RIGHTS RESERVED.

LOC	DIST	REVISIONS				
P	LTR	DESCRIPTION	DATE	DWN	APVD	
H	-	A	ECR-15-001589	03FEB2015	KR	OL

- NOTES:
- MATERIALS:
 HOUSING: GLASS FILLED PBT, HALOGEN FREE FLAME RETARDANT
 COLOR : WHITE
 CONTACTS: GOLD PLATED COPPER ALLOY
 - FOR WIRE TYPES AWG 18 AND 20 AWG.
 - COMPLIES WITH DIRECTIVE 2002/95/EC (ROHS)
 - WIRE STRIP LENGTH: 7-8 mm
 - MAX. WIRE INSULATION OUTER DIAM.: $\varnothing 2.3\text{mm}$.
 - RECOMMENDED SCREW TORQUE: 0.4 - 0.6 Nm.
 - IN ORDER TO CREATE A FLAT OPTIC LANDING ZONE ON HOLDER A COUNTERSUNK SCREW CAN BE USED, I.E. SCREW-TYPE ISO 10642.
 - BLACK MARK INDICATES THE + (ANODE) SIDE



PART NO	DESCRIPTION	PACKAGING
1-2213480-1	Z50 LED HOLDER 2828	2x10 PIECES IN TRAY AND BOX 25 BOXES IN SHIPPING BOX
2213480-2	LUMAWISE Z50 LED holder 2727 general	2x5 PIECES IN TRAY 56 TRAYS IN SHIPPING BOX
2213480-1	LUMAWISE Z50 LED holder 2828 general	2x5 PIECES IN TRAY 56 TRAYS IN SHIPPING BOX

THIS DRAWING IS A CONTROLLED DOCUMENT.

DIMENSIONS: mm	TOLERANCES UNLESS OTHERWISE SPECIFIED: 0 PLC ±- 1 PLC ±- 2 PLC ±- 3 PLC ±- 4 PLC ±- ANGLES ±- FINISH -	DWN 08APRIL2014 P. POORTER CHK 08APRIL2014 O. LEIJNSE APVD 08APRIL2014 O. LEIJNSE PRODUCT SPEC 108-133018 APPLICATION SPEC 114-133019 WEIGHT -	TE Connectivity NAME LUMAWISE Z50 high performance LED HOLDER SIZE A3 CAGE CODE 00779 DRAWING NO C-2213480 RESTRICTED TO -
MATERIAL -		Customer Drawing	SCALE 3:2 SHEET 1 OF 3 REV A

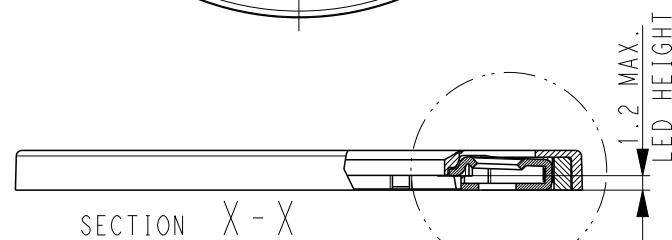
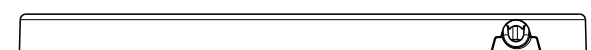
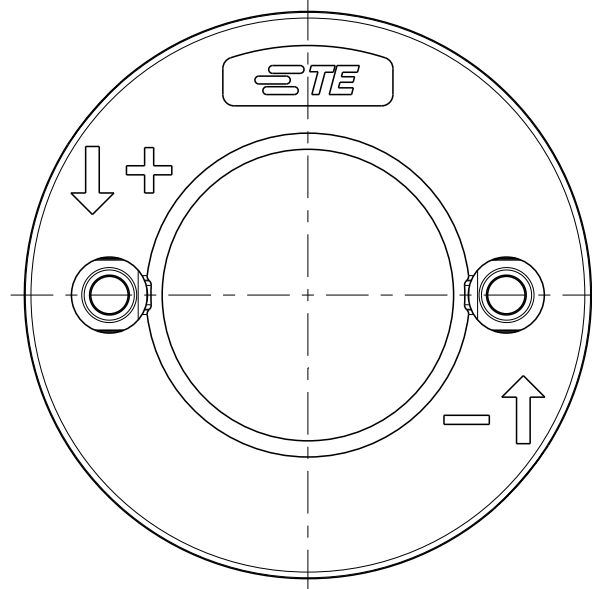
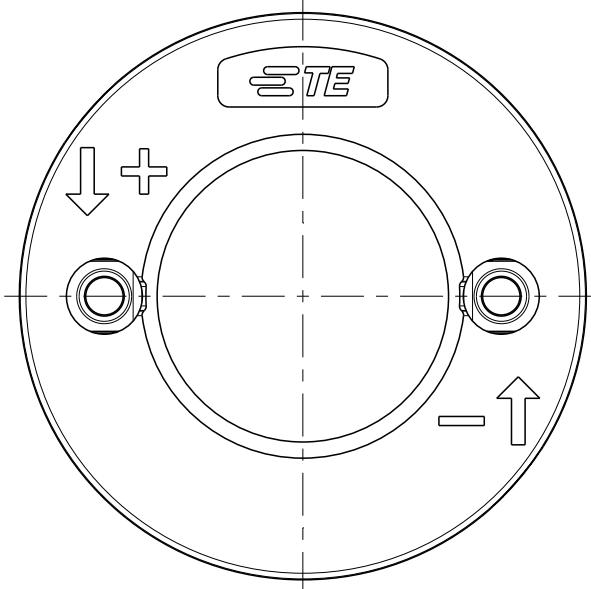
THIS DRAWING IS UNPUBLISHED. RELEASED FOR PUBLICATION

© COPYRIGHT - BY TYCO ELECTRONICS CORPORATION. ALL RIGHTS RESERVED.

LOC	DIST	REVISIONS					
H	-	P	LTR	DESCRIPTION	DATE	DWN	APVD
			-	SEE SHEET 1	-	-	-

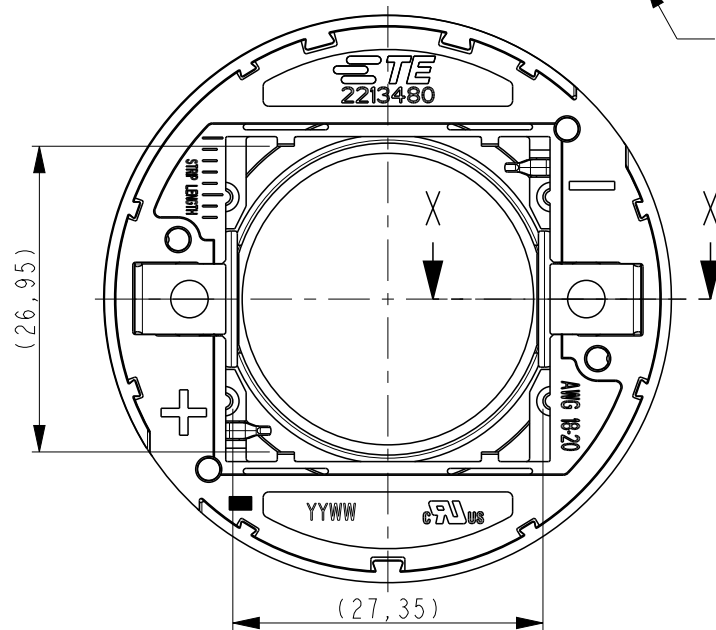
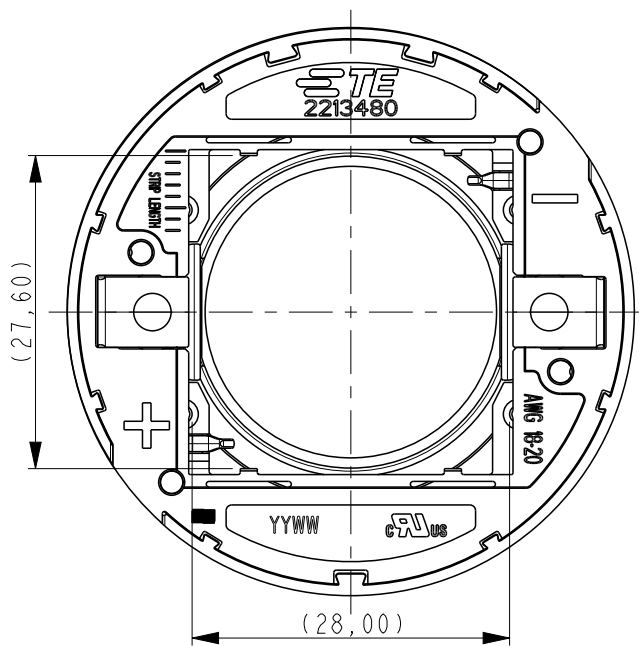
2213480-1 AS SHOWN

2213480-2 AS SHOWN

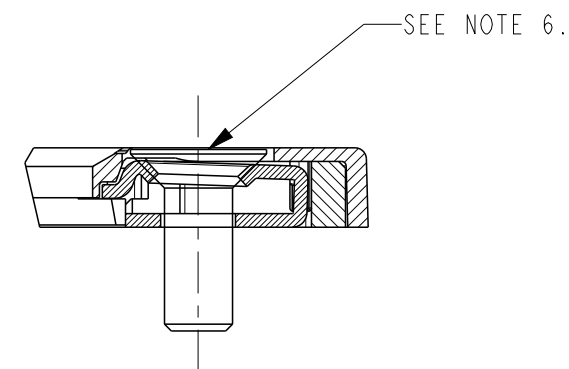


SECTION X - X

SEE DETAIL A



DETAIL A
SCALE 3:1



THIS DRAWING IS A CONTROLLED DOCUMENT.

DIMENSIONS: mm	TOLERANCES UNLESS OTHERWISE SPECIFIED:
	0 PLC ±-
	1 PLC ±-
	2 PLC ±-
	3 PLC ±-
	4 PLC ±-
	ANGLES ±-
MATERIAL -	FINISH -

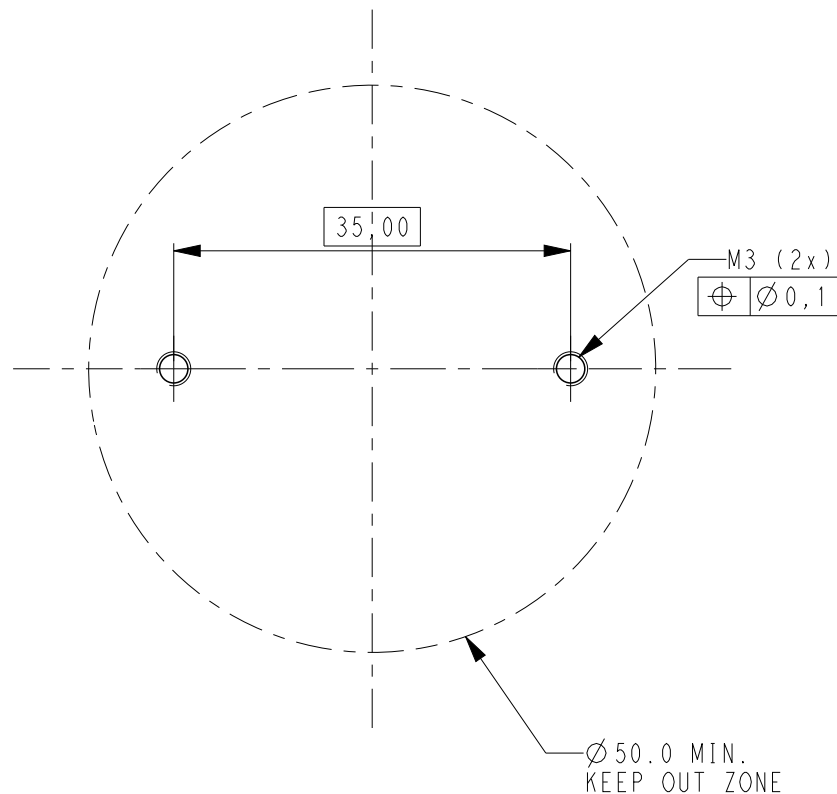
DWN	08APRIL2014
P. POORTER	
CHK	08APRIL2014
O. LEIJNSE	
APVD	08APRIL2014
O. LEIJNSE	
PRODUCT SPEC	108-133018
APPLICATION SPEC	-
WEIGHT	-
Customer Drawing	

TE Connectivity		NAME		RESTRICTED TO
		LUMAWISE Z50 high performance LED HOLDER		
SIZE	CAGE CODE	DRAWING NO	-	
A3	00779	C-2213480	-	
SCALE 3:2		SHEET 2 OF 3	REV A	

THIS DRAWING IS UNPUBLISHED. RELEASED FOR PUBLICATION
 © COPYRIGHT - BY TYCO ELECTRONICS CORPORATION. ALL RIGHTS RESERVED.

LOC	DIST	REVISIONS					
		P	LTR	DESCRIPTION	DATE	DWN	APVD
H	-		-	SEE SHEET 1	-	-	-

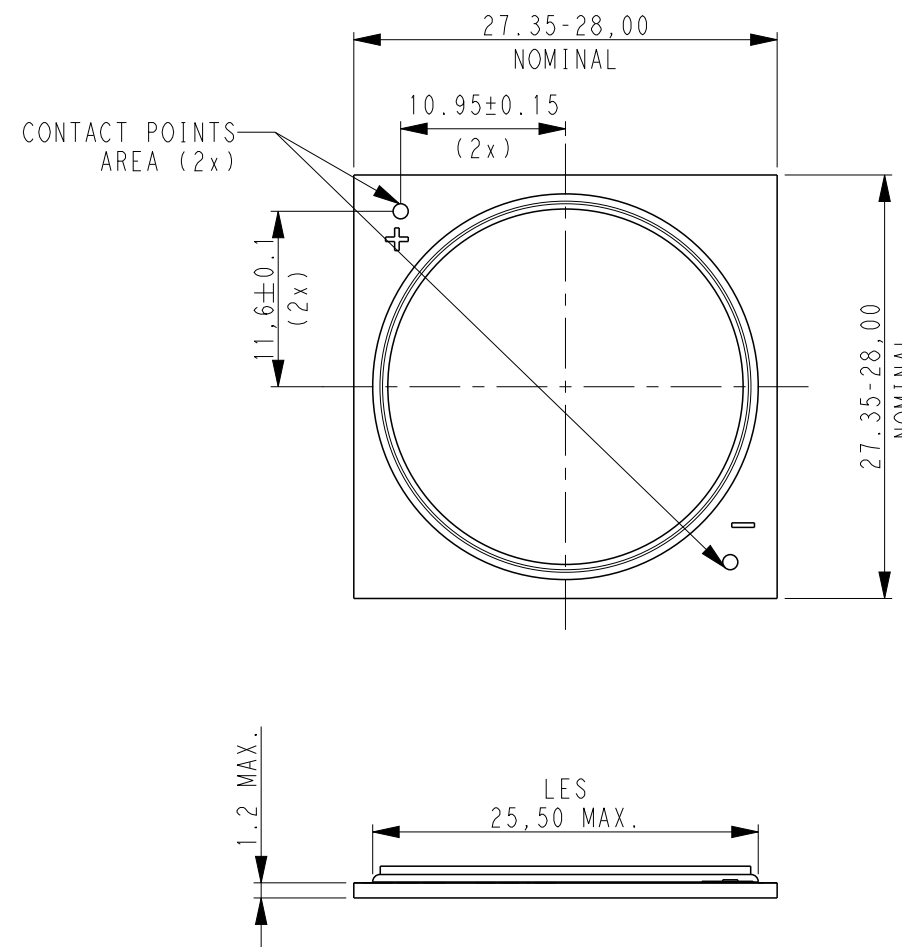
RECOMMENDED DRILLING HOLE PATTERN:



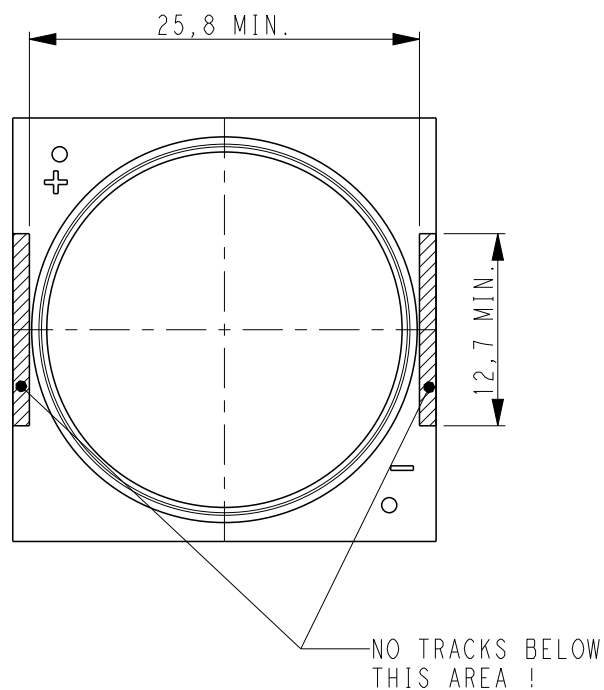
NOMINAL LED INFO:


THE SKETCH BELOW IS SHOWING THE NOMINAL LED COB DIMENSIONS TO MATCH WITH THE Z50 LED HOLDER 2828

FOR TECHNICAL DETAILS ABOUT A PROPER MATCH WITH A SPECIFIC LED COB ARRAY PLEASE CONTACT A REPRESENTATIVE AT TE-CONNECTIVITY



RECOMMENDED KEEP OUT AREA FOR CLAMPING:



THIS DRAWING IS A CONTROLLED DOCUMENT.		DWN P. POORTER 08APRIL2014	 TE Connectivity				
DIMENSIONS: mm		CHK O. LEIJNSE 08APRIL2014					
TOLERANCES UNLESS OTHERWISE SPECIFIED:		APVD O. LEIJNSE 08APRIL2014	NAME LUMAWISE Z50 high performance LED HOLDER				
0 PLC ±- 1 PLC ±- 2 PLC ±- 3 PLC ±- 4 PLC ±- ANGLES ±-		PRODUCT SPEC 108-133018	SIZE A3	CAGE CODE 00779	DRAWING NO C-2213480	RESTRICTED TO -	
MATERIAL -	FINISH -	APPLICATION SPEC -	WEIGHT -	SCALE 3:2		SHEET 3 OF 3	REV A
		Customer Drawing					