



**Please note that Cypress is an Infineon Technologies Company.**

The document following this cover page is marked as “Cypress” document as this is the company that originally developed the product. Please note that Infineon will continue to offer the product to new and existing customers as part of the Infineon product portfolio.

**Continuity of document content**

The fact that Infineon offers the following product as part of the Infineon product portfolio does not lead to any changes to this document. Future revisions will occur when appropriate, and any changes will be set out on the document history page.

**Continuity of ordering part numbers**

Infineon continues to support existing part numbers. Please continue to use the ordering part numbers listed in the datasheet for ordering.

## Features

- Very high speed: 45 ns
  - Wide voltage range: 2.20 V–3.60 V
- Pin compatible with CY62158DV30
- Ultra low standby power
  - Typical standby current: 2 μA
  - Maximum standby current: 8 μA
- Ultra low active power
  - Typical active current: 6 mA at f = 1 MHz
- Easy memory expansion with  $\overline{CE}_1$ ,  $CE_2$ , and  $\overline{OE}$  features
- Automatic power down when deselected
- CMOS for optimum speed/power
- Offered in Pb-free 48-ball VFBGA and 44-pin TSOP II packages

## Functional Description

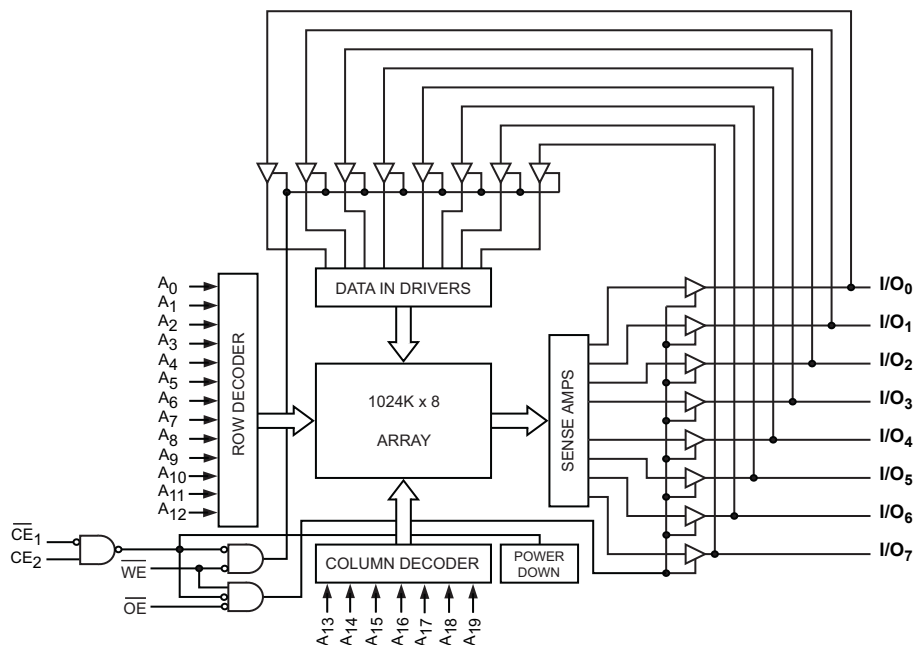
The CY62158EV30 is a high performance CMOS static RAM organized as 1024K words by 8 bits. This device features advanced circuit design to provide ultra low active current. This is ideal for providing More Battery Life™ (MoBL®) in portable applications such as cellular telephones. The device also has an automatic power down feature that significantly reduces power consumption. Placing the device into standby mode reduces power consumption significantly when deselected ( $\overline{CE}_1$  HIGH or  $CE_2$  LOW). The eight input and output pins ( $I/O_0$  through  $I/O_7$ ) are placed in a high impedance state when the device is deselected ( $\overline{CE}_1$  HIGH or  $CE_2$  LOW), the outputs are disabled ( $\overline{OE}$  HIGH), or a write operation is in progress ( $\overline{CE}_1$  LOW and  $CE_2$  HIGH and WE LOW).

To write to the device, take Chip Enables ( $\overline{CE}_1$  LOW and  $CE_2$  HIGH) and Write Enable (WE) input LOW. Data on the eight I/O pins ( $I/O_0$  through  $I/O_7$ ) is then written into the location specified on the address pins ( $A_0$  through  $A_{19}$ ).

To read from the device, take Chip Enables ( $\overline{CE}_1$  LOW and  $CE_2$  HIGH) and  $\overline{OE}$  LOW while forcing the WE HIGH. Under these conditions, the contents of the memory location specified by the address pins appear on the I/O pins. See Truth Table on page 11 for a complete description of read and write modes.

For a complete list of related documentation, [click here](#).

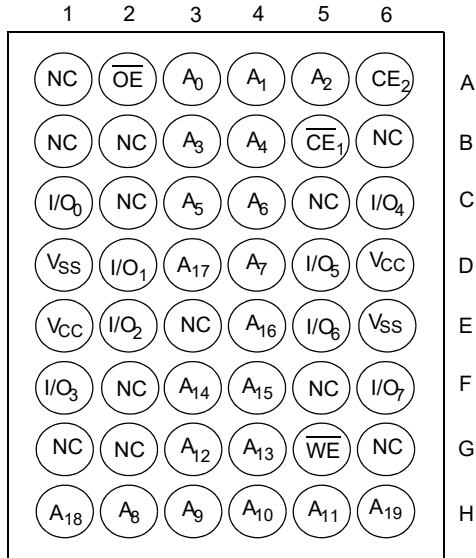
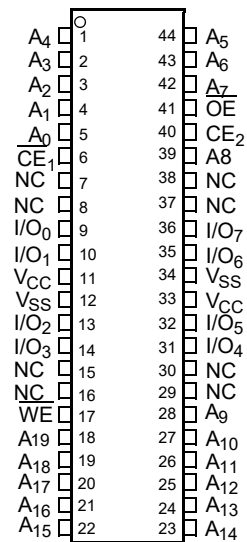
## Logic Block Diagram



## Contents

<b>Pin Configurations</b> .....	<b>3</b>	<b>Ordering Information</b> .....	<b>12</b>
<b>Product Portfolio</b> .....	<b>3</b>	Ordering Code Definitions .....	12
<b>Maximum Ratings</b> .....	<b>4</b>	<b>Package Diagrams</b> .....	<b>13</b>
<b>Operating Range</b> .....	<b>4</b>	<b>Acronyms</b> .....	<b>15</b>
<b>Electrical Characteristics</b> .....	<b>4</b>	<b>Document Conventions</b> .....	<b>15</b>
<b>Capacitance</b> .....	<b>5</b>	Units of Measure .....	15
<b>Thermal Resistance</b> .....	<b>5</b>	<b>Document History Page</b> .....	<b>16</b>
<b>AC Test Loads and Waveforms</b> .....	<b>5</b>	<b>Sales, Solutions, and Legal Information</b> .....	<b>19</b>
<b>Data Retention Characteristics</b> .....	<b>6</b>	Worldwide Sales and Design Support .....	19
<b>Data Retention Waveform</b> .....	<b>6</b>	Products .....	19
<b>Switching Characteristics</b> .....	<b>7</b>	PSoC® Solutions .....	19
<b>Switching Waveforms</b> .....	<b>8</b>	Cypress Developer Community .....	19
<b>Truth Table</b> .....	<b>11</b>	Technical Support .....	19

## Pin Configurations

**Figure 1. 48-ball VFBGA pinout (Top View) [1]**

**Figure 2. 44-pin TSOP II pinout (Top View) [1]**


## Product Portfolio

Product	V <sub>CC</sub> Range (V)			Speed (ns)	Power Dissipation					
					Operating I <sub>CC</sub> (mA)				Standby, I <sub>SB2</sub> (μA)	
	f = 1 MHz		f = f <sub>max</sub>							
	Min	Typ <sup>[2]</sup>	Max		Typ <sup>[2]</sup>	Max	Typ <sup>[2]</sup>	Max	Typ <sup>[2]</sup>	Max
CY62158EV30LL	2.2	3.0	3.6	45	6	7	18	25	2	8

**Notes**

1. NC pins are not connected on the die.
2. Typical values are included for reference only and are not guaranteed or tested. Typical values are measured at V<sub>CC</sub> = V<sub>CC(typ)</sub>, T<sub>A</sub> = 25 °C.

## Maximum Ratings

Exceeding maximum ratings may shorten the useful life of the device. User guidelines are not tested.

Storage Temperature ..... -65 °C to +150 °C

Ambient Temperature  
with Power Applied ..... -55 °C to +125 °C

Supply Voltage  
to Ground Potential <sup>[3, 4]</sup> ..... -0.3 V to  $V_{CC(max)} + 0.3$  V

DC Voltage Applied to Outputs  
in High Z State <sup>[3, 4]</sup> ..... -0.3 V to  $V_{CC(max)} + 0.3$  V

DC Input Voltage <sup>[3, 4]</sup> ..... -0.3 V to  $V_{CC(max)} + 0.3$  V

Output Current into Outputs (LOW) ..... 20 mA

Static Discharge Voltage  
(MIL-STD-883, Method 3015) ..... > 2001 V

Latch up Current ..... > 200 mA

## Operating Range

Product	Range	Ambient Temperature (T <sub>A</sub> )	V <sub>CC</sub> <sup>[5]</sup>
CY62158EV30LL	Industrial	-40 °C to +85 °C	2.2 V–3.6 V

## Electrical Characteristics

Over the Operating Range

Parameter	Description	Test Conditions	45 ns			Unit
			Min	Typ <sup>[6]</sup>	Max	
V <sub>OH</sub>	Output HIGH voltage	I <sub>OH</sub> = -0.1 mA	2.0	–	–	V
		I <sub>OH</sub> = -1.0 mA, V <sub>CC</sub> ≥ 2.70 V	2.4	–	–	V
V <sub>OL</sub>	Output LOW voltage	I <sub>OL</sub> = 0.1 mA	–	–	0.4	V
		I <sub>OL</sub> = 2.1 mA, V <sub>CC</sub> ≥ 2.70 V	–	–	0.4	V
V <sub>IH</sub>	Input HIGH voltage	V <sub>CC</sub> = 2.2 V to 2.7 V	1.8	–	V <sub>CC</sub> + 0.3 V	V
		V <sub>CC</sub> = 2.7 V to 3.6 V	2.2	–	V <sub>CC</sub> + 0.3 V	V
V <sub>IIL</sub>	Input LOW voltage	V <sub>CC</sub> = 2.2 V to 2.7 V	-0.3	–	0.6	V
		V <sub>CC</sub> = 2.7 V to 3.6 V	-0.3	–	0.8	V
I <sub>IX</sub>	Input leakage current	GND ≤ V <sub>I</sub> ≤ V <sub>CC</sub>	-1	–	+1	μA
I <sub>OZ</sub>	Output leakage current	GND ≤ V <sub>O</sub> ≤ V <sub>CC</sub> , Output Disabled	-1	–	+1	μA
I <sub>CC</sub>	V <sub>CC</sub> operating supply current	f = f <sub>max</sub> = 1/t <sub>RC</sub>	–	18	25	mA
		f = 1 MHz	–	6	7	
I <sub>SB1</sub>	Automatic CE power down current — CMOS Inputs	$\overline{CE}_1 \geq V_{CC} - 0.2$ V, CE <sub>2</sub> ≤ 0.2 V, V <sub>IN</sub> ≥ V <sub>CC</sub> - 0.2 V, V <sub>IN</sub> ≤ 0.2 V, f = f <sub>max</sub> (Address and Data Only), f = 0 (OE and WE), V <sub>CC</sub> = 3.60 V	–	2	8	μA
I <sub>SB2</sub> <sup>[7]</sup>	Automatic CE Power down Current — CMOS inputs	$\overline{CE}_1 \geq V_{CC} - 0.2$ V or CE <sub>2</sub> ≤ 0.2 V, V <sub>IN</sub> ≥ V <sub>CC</sub> - 0.2 V or V <sub>IN</sub> ≤ 0.2 V, f = 0, V <sub>CC</sub> = 3.60 V	–	2	8	μA

### Notes

3. V<sub>I(L)(min)</sub> = -2.0 V for pulse durations less than 20 ns.

4. V<sub>I(H)(max)</sub> = V<sub>CC</sub> + 0.75 V for pulse duration less than 20 ns.

5. Full device AC operation assumes a 100 μs ramp time from 0 to V<sub>CC(min)</sub> and 200 μs wait time after V<sub>CC</sub> stabilization.

6. Typical values are included for reference only and are not guaranteed or tested. Typical values are measured at V<sub>CC</sub> = V<sub>CC(typ)</sub>, T<sub>A</sub> = 25 °C.

7. Chip enables ( $\overline{CE}_1$  and CE<sub>2</sub>) must be at CMOS level to meet the I<sub>SB2</sub>/I<sub>CCDR</sub> spec. Other inputs can be left floating.

### Capacitance

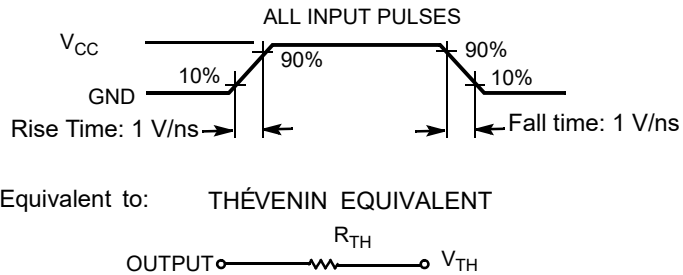
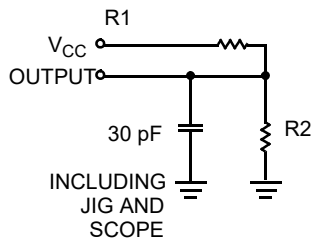
Parameter <sup>[8]</sup>	Description	Test Conditions	Max	Unit
C <sub>IN</sub>	Input capacitance	T <sub>A</sub> = 25 °C, f = 1 MHz, V <sub>CC</sub> = V <sub>CC(typ)</sub>	10	pF
C <sub>OUT</sub>	Output capacitance		10	pF

### Thermal Resistance

Parameter <sup>[8]</sup>	Description	Test Conditions	48-ball BGA	44-pin TSOP II	Unit
Θ <sub>JA</sub>	Thermal resistance (junction to ambient)	Still Air, soldered on a 3 × 4.5 inch, two-layer printed circuit board	36.92	65.91	°C/W
Θ <sub>JC</sub>	Thermal resistance (junction to case)		13.55	13.96	°C/W

### AC Test Loads and Waveforms

Figure 3. AC Test Loads and Waveforms



Parameters	2.5 V	3.0 V	Unit
R1	16667	1103	Ω
R2	15385	1554	Ω
R <sub>TH</sub>	8000	645	Ω
V <sub>TH</sub>	1.20	1.75	V

**Note**

8. Tested initially and after any design or process changes that may affect these parameters.

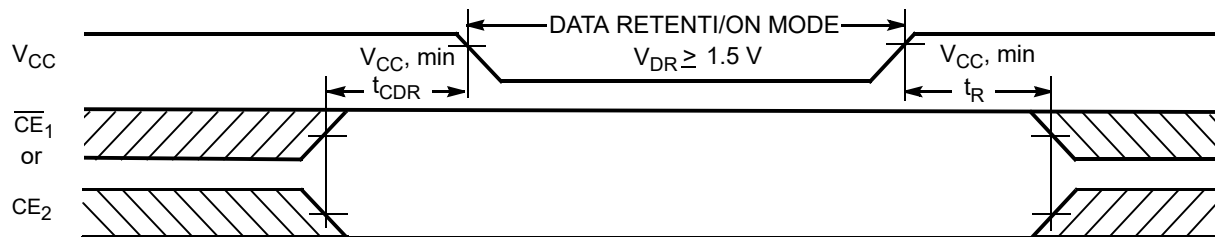
## Data Retention Characteristics

Over the Operating Range

Parameter	Description	Conditions	Min	Typ <sup>[9]</sup>	Max	Unit
$V_{DR}$	$V_{CC}$ for data retention		1.5	–	–	V
$I_{CCDR}$ <sup>[10]</sup>	Data retention current	$V_{CC} = 1.5\text{ V}$ , $\overline{CE}_1 \geq V_{CC} - 0.2\text{ V}$ or $\overline{CE}_2 \leq 0.2\text{ V}$ , $V_{IN} \geq V_{CC} - 0.2\text{ V}$ or $V_{IN} \leq 0.2\text{ V}$	–	3.2	8	$\mu\text{A}$
$t_{CDR}$ <sup>[11]</sup>	Chip deselect to data retention time		0	–	–	ns
$t_R$ <sup>[12]</sup>	Operation recovery time		45	–	–	ns

## Data Retention Waveform

Figure 4. Data Retention Waveform



### Notes

9. Typical values are included for reference only and are not guaranteed or tested. Typical values are measured at  $V_{CC} = V_{CC(typ)}$ ,  $T_A = 25\text{ }^\circ\text{C}$ .
10. Chip enables ( $\overline{CE}_1$  and  $\overline{CE}_2$ ) must be at CMOS level to meet the  $I_{SB2}/I_{CCDR}$  spec. Other inputs can be left floating.
11. Tested initially and after any design or process changes that may affect these parameters.
12. Full Device AC operation requires linear  $V_{CC}$  ramp from  $V_{DR}$  to  $V_{CC(min)} \geq 100\text{ }\mu\text{s}$  or stable at  $V_{CC(min)} \geq 100\text{ }\mu\text{s}$ .

## Switching Characteristics

Over the Operating Range

Parameter [13, 14]	Description	45 ns		Unit
		Min	Max	
<b>Read Cycle</b>				
$t_{RC}$	Read cycle time	45	–	ns
$t_{AA}$	Address to data valid	–	45	ns
$t_{OHA}$	Data Hold from address change	10	–	ns
$t_{ACE}$	$\overline{CE}_1$ LOW and $CE_2$ HIGH to data valid	–	45	ns
$t_{DOE}$	$\overline{OE}$ LOW to data valid	–	22	ns
$t_{LZOE}$	$\overline{OE}$ LOW to Low Z <sup>[15]</sup>	5	–	ns
$t_{HZOE}$	$\overline{OE}$ HIGH to High Z <sup>[15, 16]</sup>	–	18	ns
$t_{LZCE}$	$\overline{CE}_1$ LOW and $CE_2$ HIGH to Low Z <sup>[15]</sup>	10	–	ns
$t_{HZCE}$	$\overline{CE}_1$ HIGH or $CE_2$ LOW to High Z <sup>[15, 16]</sup>	–	18	ns
$t_{PU}$	$\overline{CE}_1$ LOW and $CE_2$ HIGH to Power Up	0	–	ns
$t_{PD}$	$\overline{CE}_1$ HIGH or $CE_2$ LOW to Power Down	–	45	ns
<b>Write Cycle [17, 18]</b>				
$t_{WC}$	Write cycle time	45	–	ns
$t_{SCE}$	$\overline{CE}_1$ LOW and $CE_2$ HIGH to Write End	35	–	ns
$t_{AW}$	Address setup to Write End	35	–	ns
$t_{HA}$	Address Hold from Write End	0	–	ns
$t_{SA}$	Address setup to Write Start	0	–	ns
$t_{PWE}$	$\overline{WE}$ pulse width	35	–	ns
$t_{SD}$	Data setup to Write End	25	–	ns
$t_{HD}$	Data Hold from Write End	0	–	ns
$t_{HZWE}$	$\overline{WE}$ LOW to High Z <sup>[15, 16]</sup>	–	18	ns
$t_{LZWE}$	$\overline{WE}$ HIGH to Low Z <sup>[15]</sup>	10	–	ns

### Notes

13. In an earlier revision of this device, under a specific application condition, READ and WRITE operations were limited to switching of the chip enable signal as described in the Application Note AN66311. However, the issue has been fixed and in production now, and hence, this Application Note is no longer applicable. It is available for download on our website as it contains information on the date code of the parts, beyond which the fix has been in production.
14. Test conditions for all parameters other than tri-state parameters assume signal transition time of 3 ns or less (1V/ns), timing reference levels of  $V_{CC(typ)}/2$ , input pulse levels of 0 to  $V_{CC(typ)}$ , and output loading of the specified  $I_{OL}/I_{OH}$  as shown in Figure 3 on page 5.
15. At any given temperature and voltage condition,  $t_{HZCE}$  is less than  $t_{LZCE}$ ,  $t_{HZOE}$  is less than  $t_{LZOE}$ , and  $t_{HZWE}$  is less than  $t_{LZWE}$  for any given device.
16.  $t_{HZOE}$ ,  $t_{HZCE}$ , and  $t_{HZWE}$  transitions are measured when the outputs enter a high impedance state.
17. The internal write time of the memory is defined by the overlap of  $\overline{WE}$ ,  $\overline{CE}_1 = V_{IL}$ , and  $CE_2 = V_{IH}$ . All signals must be ACTIVE to initiate a write and any of these signals can terminate a write by going INACTIVE. The data input setup and hold timing should be referenced to the edge of the signal that terminates the write.
18. The minimum write cycle pulse width for Write Cycle No. 3 ( $\overline{WE}$  Controlled,  $\overline{OE}$  LOW) should be equal to the sum of  $t_{SD}$  and  $t_{HZWE}$ .



### Switching Waveforms

Figure 5. Read Cycle No. 1 (Address Transition Controlled) [19, 20]

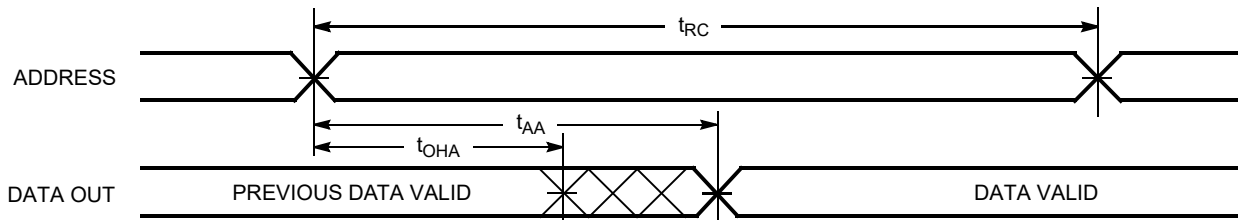
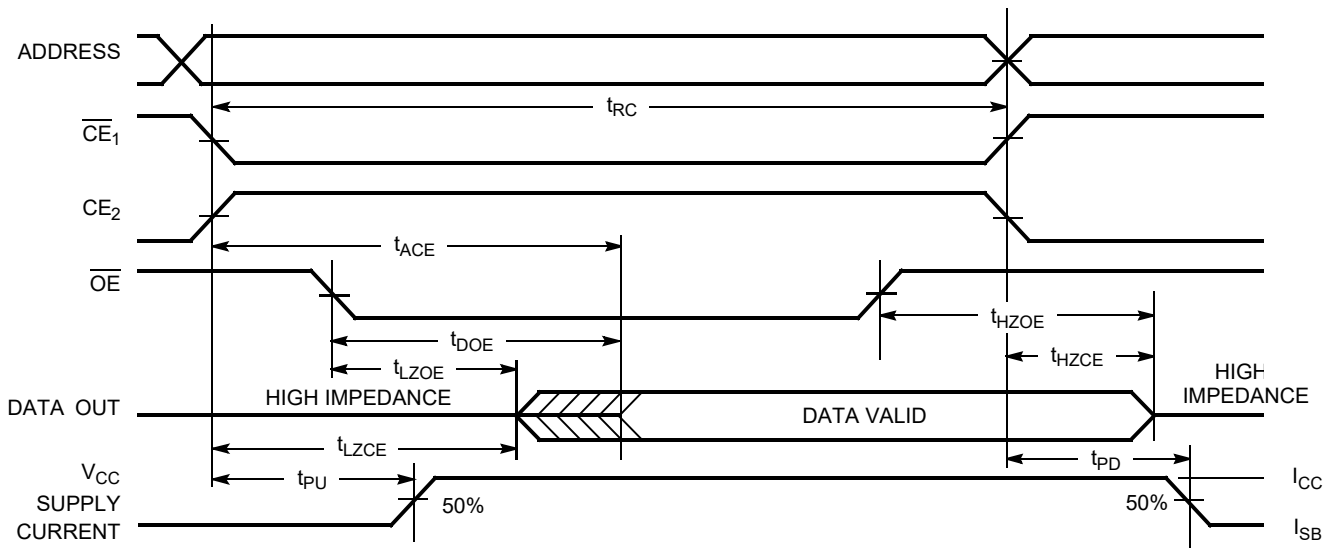


Figure 6. Read Cycle No. 2 ( $\overline{OE}$  Controlled) [20, 21]



**Notes**

- 19. Device is continuously selected.  $\overline{OE}$ ,  $\overline{CE}_1 = V_{IL}$ ,  $CE_2 = V_{IH}$ .
- 20. WE is HIGH for read cycle.
- 21. Address valid before or similar to  $\overline{CE}_1$  transition LOW and  $CE_2$  transition HIGH.

Switching Waveforms (continued)

Figure 7. Write Cycle No. 1 ( $\overline{WE}$  Controlled) [22, 23, 24]

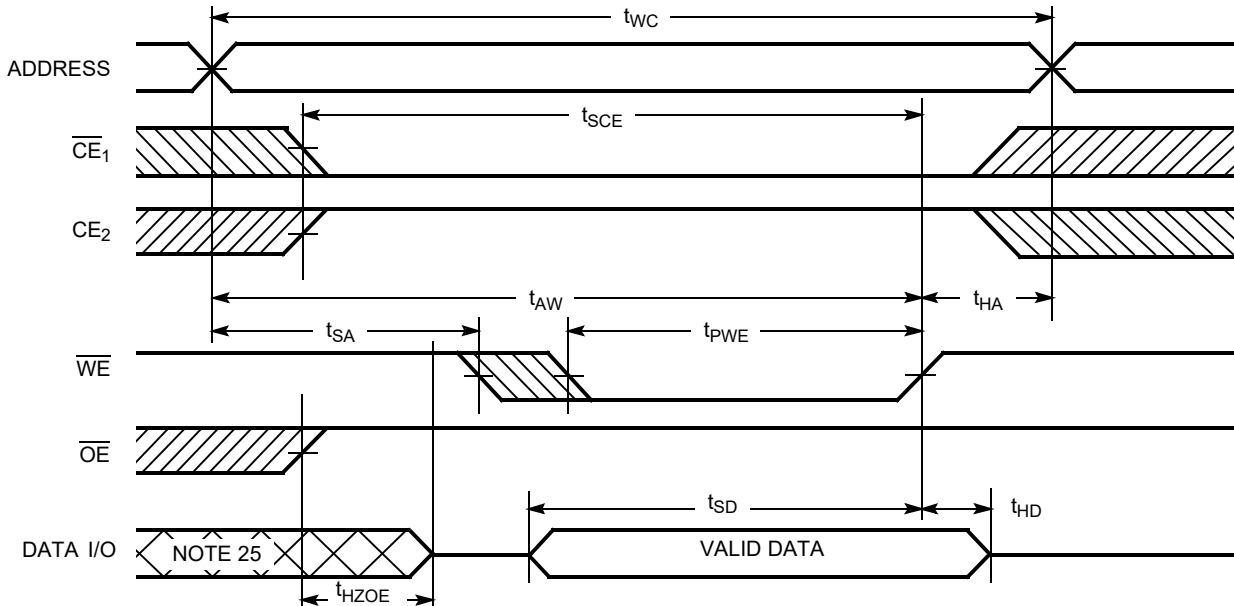
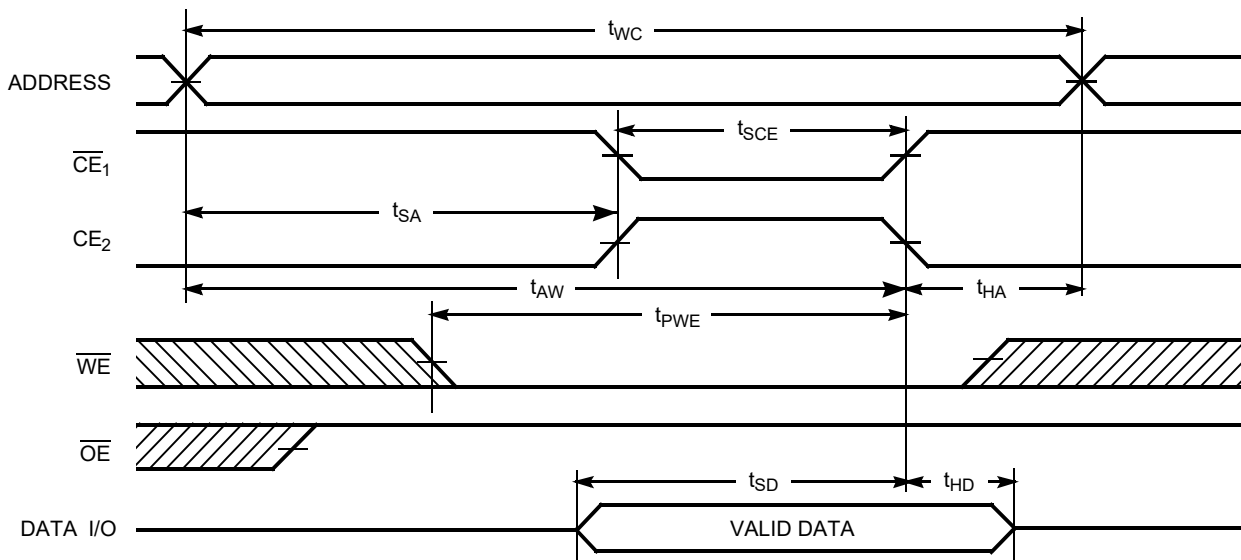


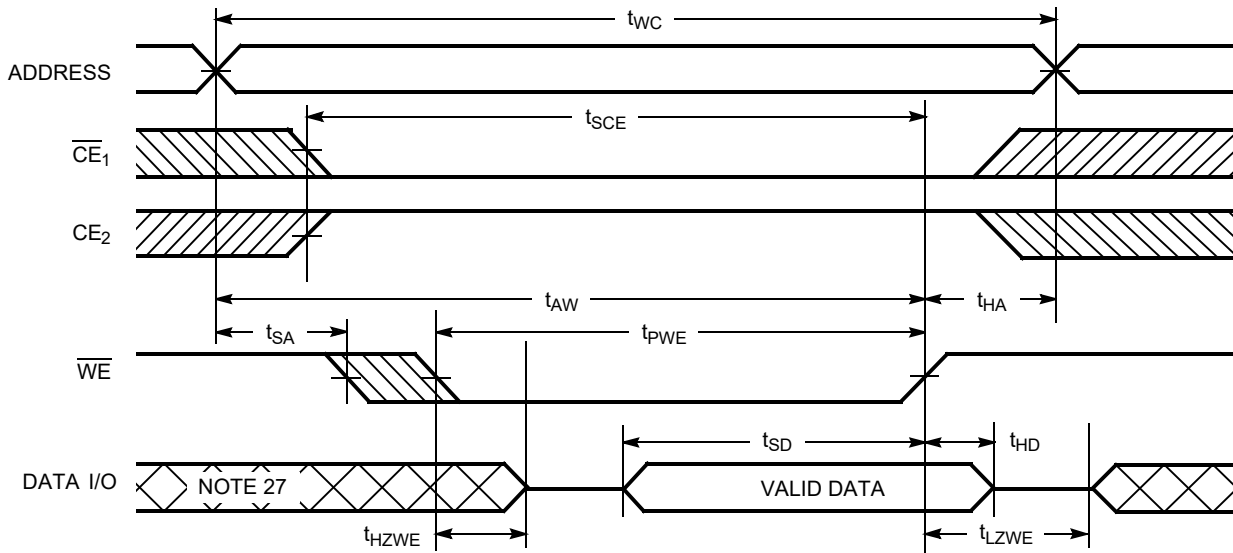
Figure 8. Write Cycle No. 2 ( $\overline{CE}_1$  or  $CE_2$  Controlled) [22, 23, 24]



Notes

- 22. The internal write time of the memory is defined by the overlap of  $\overline{WE}$ ,  $\overline{CE}_1 = V_{IL}$ , and  $CE_2 = V_{IH}$ . All signals must be ACTIVE to initiate a write and any of these signals can terminate a write by going INACTIVE. The data input setup and hold timing should be referenced to the edge of the signal that terminates the write.
- 23. Data I/O is high impedance if  $\overline{OE} = V_{IH}$ .
- 24. If  $\overline{CE}_1$  goes HIGH or  $CE_2$  goes LOW simultaneously with  $\overline{WE}$  HIGH, the output remains in high impedance state.
- 25. During this period, the I/Os are in output state. Do not apply input signals.

**Switching Waveforms** (continued)

**Figure 9. Write Cycle No. 3 ( $\overline{WE}$  Controlled,  $\overline{OE}$  LOW)** [26, 28]

**Notes**

26. If  $\overline{CE}_1$  goes HIGH or  $\overline{CE}_2$  goes LOW simultaneously with  $\overline{WE}$  HIGH, the output remains in high impedance state.

27. During this period, the I/Os are in output state. Do not apply input signals.

28. The minimum write cycle pulse width should be equal to the sum of  $t_{SD}$  and  $t_{HZWE}$ .

**Truth Table**

$\overline{CE}_1$	$CE_2$	$\overline{WE}$	$\overline{OE}$	Inputs/Outputs	Mode	Power
H	X <sup>[29]</sup>	X	X	High Z	Deselect/Power down	Standby ( $I_{SB}$ )
X <sup>[29]</sup>	L	X	X	High Z	Deselect/Power down	Standby ( $I_{SB}$ )
L	H	H	L	Data Out	Read	Active ( $I_{CC}$ )
L	H	L	X	Data In	Write	Active ( $I_{CC}$ )
L	H	H	H	High Z	Selected, Outputs Disabled	Active ( $I_{CC}$ )

**Note**

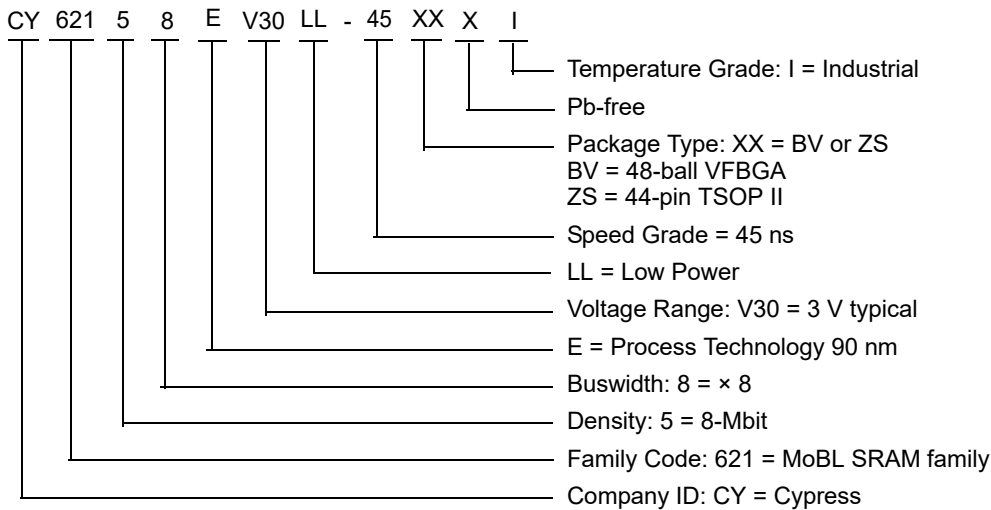
29. The 'X' (Don't care) state for the Chip enables in the truth table refer to the logic state (either HIGH or LOW). Intermediate voltage levels on these pins is not permitted.

**Ordering Information**

Speed (ns)	Ordering Code	Package Diagram	Package Type	Operating Range
45	CY62158EV30LL-45BVXI	51-85150	48-ball VFBGA (Pb-free)	Industrial
	CY62158EV30LL-45ZSXI	51-85087	44-pin TSOP Type II (Pb-free)	

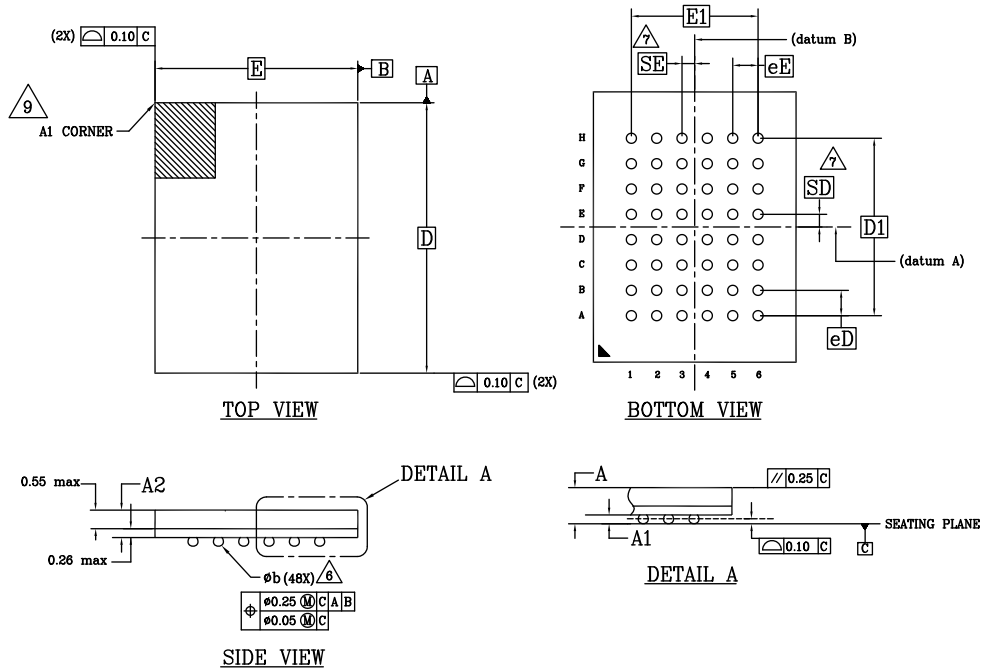
Contact your local Cypress sales representative for availability of these parts.

**Ordering Code Definitions**



Package Diagrams

Figure 10. 48-ball VFBGA (6 × 8 × 1 mm) BV48/BZ48 Package Outline, 51-85150



SYMBOL	DIMENSIONS		
	MIN.	NOM.	MAX.
A	-	-	1.00
A1	0.16	-	-
A2	-	-	0.81
D	8.00 BSC		
E	6.00 BSC		
D1	5.25 BSC		
E1	3.75 BSC		
MD	8		
ME	6		
n	48		
∅ b	0.25	0.30	0.35
eE	0.75 BSC		
eD	0.75 BSC		
SD	0.375 BSC		
SE	0.375 BSC		

NOTES:

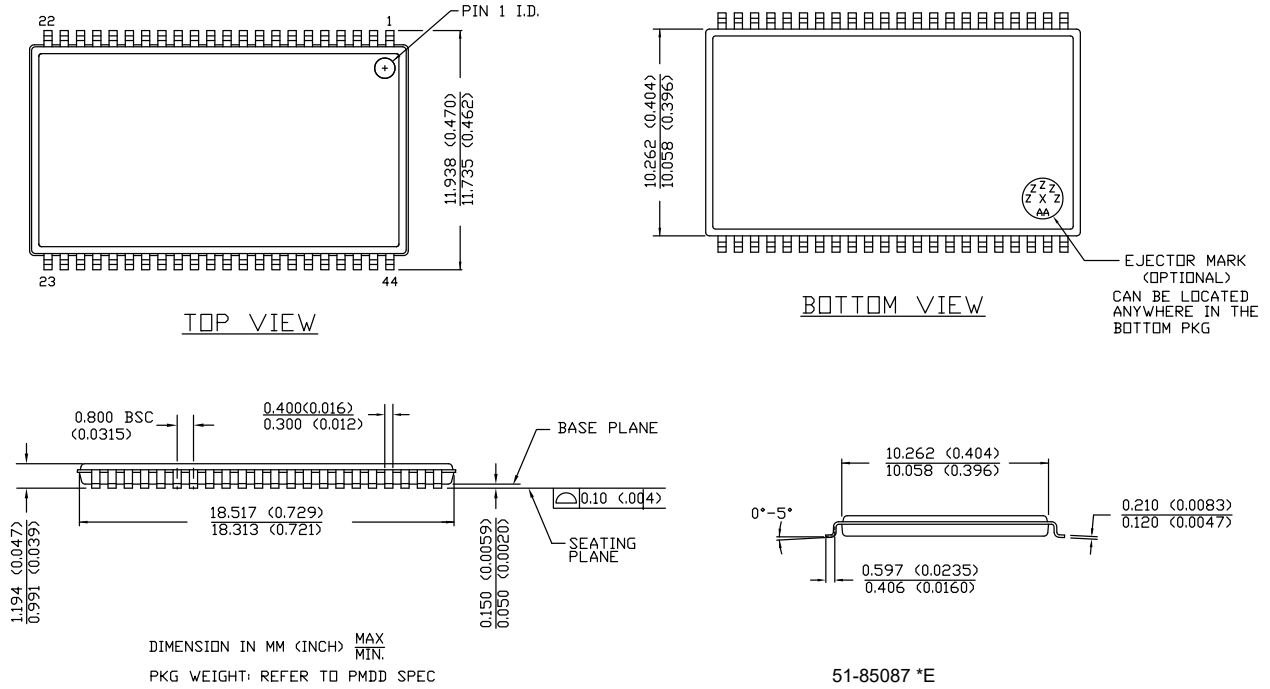
1. DIMENSIONING AND TOLERANCING METHODS PER ASME Y14.5M-2009.
2. ALL DIMENSIONS ARE IN MILLIMETERS.
3. BALL POSITION DESIGNATION PER JEP95, SECTION 3, SPP-020.
4. [e] REPRESENTS THE SOLDER BALL GRID PITCH.
5. SYMBOL "MD" IS THE BALL MATRIX SIZE IN THE "D" DIRECTION, SYMBOL "ME" IS THE BALL MATRIX SIZE IN THE "E" DIRECTION, n IS THE NUMBER OF POPULATED SOLDER BALL POSITIONS FOR MATRIX SIZE MD X ME.

- △ DIMENSION "b" IS MEASURED AT THE MAXIMUM BALL DIAMETER IN A PLANE PARALLEL TO DATUM C.
- △ "SD" AND "SE" ARE MEASURED WITH RESPECT TO DATUMS A AND B AND DEFINE THE POSITION OF THE CENTER SOLDER BALL IN THE OUTER ROW. WHEN THERE IS AN ODD NUMBER OF SOLDER BALLS IN THE OUTER ROW "SD" OR "SE" = 0. WHEN THERE IS AN EVEN NUMBER OF SOLDER BALLS IN THE OUTER ROW, "SD" = eD/2 AND "SE" = eE/2.
- 8. "\*" INDICATES THE THEORETICAL CENTER OF DEPOPULATED BALLS.
- △ A1 CORNER TO BE IDENTIFIED BY CHAMFER, LASER OR INK MARK METALIZED MARK, INDENTATION OR OTHER MEANS.

51-85150 \*1

Package Diagrams (continued)

Figure 11. 44-pin TSOP Z44-II Package Outline, 51-85087



## Acronyms

Acronym	Description
$\overline{CE}$	Chip Enable
CMOS	Complementary Metal Oxide Semiconductor
I/O	Input/Output
$\overline{OE}$	Output Enable
RAM	Random Access Memory
SRAM	Static Random Access Memory
TTL	Transistor-Transistor Logic
TSOP	Thin Small Outline Package
VFBGA	Very Fine-Pitch Ball Grid Array
$\overline{WE}$	Write Enable

## Document Conventions

### Units of Measure

Symbol	Unit of Measure
°C	degree Celsius
MHz	megahertz
μA	microampere
μs	microsecond
mA	milliampere
mm	millimeter
ns	nanosecond
Ω	ohm
%	percent
pF	picofarad
V	volt
W	watt



**Document History Page**

Document Title: CY62158EV30 MoBL, 8-Mbit (1024K × 8) Static RAM Document Number: 38-05578			
Rev.	ECN No.	Submission Date	Description of Change
**	270329	09/28/2004	New data sheet.
*A	291271	11/19/2004	<p>Changed status from Advance Information to Preliminary.</p> <p>Updated <a href="#">Data Retention Characteristics</a>:</p> <p>Changed maximum value of I<sub>CCDR</sub> parameter from 4 μA to 4.5 μA.</p>
*B	444306	04/13/2006	<p>Converted from Preliminary to Final.</p> <p>Removed 35 ns Speed Bin related information in all instances across the document.</p> <p>Removed 44-pin TSOP II Package related information in all instances across the document.</p> <p>Included 48-pin TSOP I Package related information in all instances across the document.</p> <p>Removed "L" from the part numbers across the document.</p> <p>Updated <a href="#">Product Portfolio</a>:</p> <p>Changed maximum value of "Operating I<sub>CC</sub>" from 2.3 mA to 3 mA corresponding to "f = 1 MHz".</p> <p>Changed typical value of "Operating I<sub>CC</sub>" from 16 mA to 18 mA corresponding to "f = f<sub>max</sub>".</p> <p>Changed maximum value of "Operating I<sub>CC</sub>" from 28 mA to 25 mA corresponding to "f = f<sub>max</sub>".</p> <p>Changed typical value of "Standby I<sub>SB2</sub>" from 0.9 μA to 2 μA.</p> <p>Changed maximum value of "Standby I<sub>SB2</sub>" from 4.5 μA to 8 μA.</p> <p>Updated <a href="#">Electrical Characteristics</a>:</p> <p>Changed typical value of I<sub>SB1</sub> parameter from 0.9 μA to 2 μA.</p> <p>Changed maximum value of I<sub>SB1</sub> parameter from 4.5 μA to 8 μA.</p> <p>Changed typical value of I<sub>SB2</sub> parameter from 0.9 μA to 2 μA.</p> <p>Changed maximum value of I<sub>SB2</sub> parameter from 4.5 μA to 8 μA.</p> <p>Updated <a href="#">AC Test Loads and Waveforms</a>:</p> <p>Updated <a href="#">Figure 3</a> (Changed Test Load Capacitance from 50 pF to 30 pF).</p> <p>Updated <a href="#">Data Retention Characteristics</a>:</p> <p>Added 2 μA as typical value for I<sub>CCDR</sub> parameter.</p> <p>Changed maximum value of I<sub>CCDR</sub> parameter from 4.5 μA to 5 μA.</p> <p>Changed minimum value of t<sub>R</sub> parameter from 100 μs to t<sub>RC</sub> ns.</p> <p>Updated <a href="#">Switching Characteristics</a>:</p> <p>Changed minimum value of t<sub>LZOE</sub> parameter from 3 ns to 5 ns corresponding to 45 ns speed bin.</p> <p>Changed minimum value of t<sub>LZCE</sub> parameter from 6 ns to 10 ns corresponding to 45 ns speed bin.</p> <p>Changed maximum value of t<sub>HZCE</sub> parameter from 22 ns to 18 ns corresponding to 45 ns speed bin.</p> <p>Changed minimum value of t<sub>PWE</sub> parameter from 30 ns to 35 ns corresponding to 45 ns speed bin.</p> <p>Changed minimum value of t<sub>SD</sub> parameter from 22 ns to 25 ns corresponding to 45 ns speed bin.</p> <p>Changed minimum value of t<sub>LZWE</sub> parameter from 6 ns to 10 ns corresponding to 45 ns speed bin.</p> <p>Updated <a href="#">Ordering Information</a>:</p> <p>Updated part numbers.</p> <p>Removed "Package Name" column.</p> <p>Added "Package Diagram" column.</p> <p>Updated <a href="#">Package Diagrams</a>:</p> <p>spec 51-85150 – Changed revision from *B to *D.</p> <p>Removed spec 51-85087 *A.</p> <p>Added spec 51-85183 *A.</p> <p>Updated to new template.</p>

**Document History Page** (continued)

Document Title: CY62158EV30 MoBL, 8-Mbit (1024K × 8) Static RAM			
Document Number: 38-05578			
Rev.	ECN No.	Submission Date	Description of Change
*C	467052	06/06/2006	Included 44-pin TSOP II Package related information in all instances across the document. Updated <a href="#">Features</a> : Added Note "For 48-pin TSOP I pin configuration and ordering information, please refer to CY62157EV30 Data sheet." and referred the same note in 48-pin TSOP I package. Updated <a href="#">Ordering Information</a> : Updated part numbers. Updated <a href="#">Package Diagrams</a> : Removed spec 51-85183 *A. Added spec 51-85087 *A,
*D	1015643	04/28/2007	Updated <a href="#">Electrical Characteristics</a> : Added Note 7 and referred the same note in I <sub>SB2</sub> parameter. Updated <a href="#">Data Retention Characteristics</a> : Added Note 10 and referred the same note in I <sub>CCDR</sub> parameter.
*E	2934396	06/03/2010	Updated <a href="#">Truth Table</a> : Added Note 29 and referred the same note in "X" under $\overline{CE}_1$ and CE <sub>2</sub> columns. Updated <a href="#">Package Diagrams</a> : spec 51-85150 – Changed revision from *D to *E. spec 51-85087 – Changed revision from *A to *C. Updated to new template.
*F	3110202	12/14/2010	Updated <a href="#">Logic Block Diagram</a> . Updated <a href="#">Ordering Information</a> : No change in part numbers. Added <a href="#">Ordering Code Definitions</a> . Updated <a href="#">Package Diagrams</a> : spec 51-85150 – Changed revision from *E to *F.
*G	3269641	05/30/2011	Removed 48-pin TSOP I Package related information in all instances across the document. Updated <a href="#">Functional Description</a> : Removed the note "For best practice recommendations, refer to the Cypress application note "System Design Guidelines" at <a href="http://www.cypress.com">http://www.cypress.com</a> ." and its reference. Updated <a href="#">Data Retention Characteristics</a> : Changed minimum value of t <sub>R</sub> parameter from t <sub>RC</sub> ns to 45 ns. Added <a href="#">Acronyms</a> and <a href="#">Units of Measure</a> . Updated to new template. Completing Sunset Review.
*H	3598409	04/24/2012	Updated <a href="#">Package Diagrams</a> : spec 51-85150 – Changed revision from *F to *G. spec 51-85087 – Changed revision from *C to *D. Completing Sunset Review.
*I	4100078	08/20/2013	Updated <a href="#">Switching Characteristics</a> : Added Note 13 and referred the same note in "Parameter" column. Updated <a href="#">Package Diagrams</a> : spec 51-85150 – Changed revision from *G to *H. spec 51-85087 – Changed revision from *D to *E. Updated to new template.
*J	4576526	11/21/2014	Updated <a href="#">Functional Description</a> : Added "For a complete list of related documentation, <a href="#">click here</a> ." at the end. Updated <a href="#">Switching Characteristics</a> : Added Note 18 and referred the same note in "Write Cycle". Updated <a href="#">Switching Waveforms</a> : Added Note 28 and referred the same note in <a href="#">Figure 9</a> .

**Document History Page** (continued)

Document Title: CY62158EV30 MoBL, 8-Mbit (1024K × 8) Static RAM			
Document Number: 38-05578			
Rev.	ECN No.	Submission Date	Description of Change
*K	4790694	06/08/2015	Updated <a href="#">Maximum Ratings</a> : Referred Notes 3, 4 in "Supply Voltage to Ground Potential". Updated to new template. Completing Sunset Review.
*L	5979591	11/29/2017	Updated Cypress Logo and Copyright.
*M	6819908	02/28/2020	Updated <a href="#">Features</a> : Updated description. Updated <a href="#">Product Portfolio</a> : Updated all values of "Operating I <sub>CC</sub> " corresponding to "f = 1 MHz". Updated <a href="#">Electrical Characteristics</a> : Updated all values of I <sub>CC</sub> parameter corresponding to "45 ns" and "f = 1 MHz". Updated <a href="#">Thermal Resistance</a> : Updated all values of $\Theta_{JA}$ , $\Theta_{JC}$ parameters corresponding to all packages. Updated <a href="#">Data Retention Characteristics</a> : Updated all values of I <sub>CCDR</sub> parameter. Updated <a href="#">Package Diagrams</a> : spec 51-85150 – Changed revision from *H to *I. Updated to new template.

## Sales, Solutions, and Legal Information

### Worldwide Sales and Design Support

Cypress maintains a worldwide network of offices, solution centers, manufacturer's representatives, and distributors. To find the office closest to you, visit us at [Cypress Locations](#).

#### Products

Arm <sup>®</sup> Cortex <sup>®</sup> Microcontrollers	<a href="http://cypress.com/arm">cypress.com/arm</a>
Automotive	<a href="http://cypress.com/automotive">cypress.com/automotive</a>
Clocks & Buffers	<a href="http://cypress.com/clocks">cypress.com/clocks</a>
Interface	<a href="http://cypress.com/interface">cypress.com/interface</a>
Internet of Things	<a href="http://cypress.com/iot">cypress.com/iot</a>
Memory	<a href="http://cypress.com/memory">cypress.com/memory</a>
Microcontrollers	<a href="http://cypress.com/mcu">cypress.com/mcu</a>
PSoC	<a href="http://cypress.com/psoc">cypress.com/psoc</a>
Power Management ICs	<a href="http://cypress.com/pmic">cypress.com/pmic</a>
Touch Sensing	<a href="http://cypress.com/touch">cypress.com/touch</a>
USB Controllers	<a href="http://cypress.com/usb">cypress.com/usb</a>
Wireless Connectivity	<a href="http://cypress.com/wireless">cypress.com/wireless</a>

#### PSoC<sup>®</sup> Solutions

[PSoC 1](#) | [PSoC 3](#) | [PSoC 4](#) | [PSoC 5LP](#) | [PSoC 6 MCU](#)

#### Cypress Developer Community

[Community](#) | [Code Examples](#) | [Projects](#) | [Video](#) | [Blogs](#) | [Training](#) | [Components](#)

#### Technical Support

[cypress.com/support](http://cypress.com/support)

© Cypress Semiconductor Corporation, 2004–2020. This document is the property of Cypress Semiconductor Corporation and its subsidiaries ("Cypress"). This document, including any software or firmware included or referenced in this document ("Software"), is owned by Cypress under the intellectual property laws and treaties of the United States and other countries worldwide. Cypress reserves all rights under such laws and treaties and does not, except as specifically stated in this paragraph, grant any license under its patents, copyrights, trademarks, or other intellectual property rights. If the Software is not accompanied by a license agreement and you do not otherwise have a written agreement with Cypress governing the use of the Software, then Cypress hereby grants you a personal, non-exclusive, nontransferable license (without the right to sublicense) (1) under its copyright rights in the Software (a) for Software provided in source code form, to modify and reproduce the Software solely for use with Cypress hardware products, only internally within your organization, and (b) to distribute the Software in binary code form externally to end users (either directly or indirectly through resellers and distributors), solely for use on Cypress hardware product units, and (2) under those claims of Cypress's patents that are infringed by the Software (as provided by Cypress, unmodified) to make, use, distribute, and import the Software solely for use with Cypress hardware products. Any other use, reproduction, modification, translation, or compilation of the Software is prohibited.

TO THE EXTENT PERMITTED BY APPLICABLE LAW, CYPRESS MAKES NO WARRANTY OF ANY KIND, EXPRESS OR IMPLIED, WITH REGARD TO THIS DOCUMENT OR ANY SOFTWARE OR ACCOMPANYING HARDWARE, INCLUDING, BUT NOT LIMITED TO, THE IMPLIED WARRANTIES OF MERCHANTABILITY AND FITNESS FOR A PARTICULAR PURPOSE. No computing device can be absolutely secure. Therefore, despite security measures implemented in Cypress hardware or software products, Cypress shall have no liability arising out of any security breach, such as unauthorized access to or use of a Cypress product. CYPRESS DOES NOT REPRESENT, WARRANT, OR GUARANTEE THAT CYPRESS PRODUCTS, OR SYSTEMS CREATED USING CYPRESS PRODUCTS, WILL BE FREE FROM CORRUPTION, ATTACK, VIRUSES, INTERFERENCE, HACKING, DATA LOSS OR THEFT, OR OTHER SECURITY INTRUSION (collectively, "Security Breach"). Cypress disclaims any liability relating to any Security Breach, and you shall and hereby do release Cypress from any claim, damage, or other liability arising from any Security Breach. In addition, the products described in these materials may contain design defects or errors known as errata which may cause the product to deviate from published specifications. To the extent permitted by applicable law, Cypress reserves the right to make changes to this document without further notice. Cypress does not assume any liability arising out of the application or use of any product or circuit described in this document. Any information provided in this document, including any sample design information or programming code, is provided only for reference purposes. It is the responsibility of the user of this document to properly design, program, and test the functionality and safety of any application made of this information and any resulting product. "High-Risk Device" means any device or system whose failure could cause personal injury, death, or property damage. Examples of High-Risk Devices are weapons, nuclear installations, surgical implants, and other medical devices. "Critical Component" means any component of a High-Risk Device whose failure to perform can be reasonably expected to cause, directly or indirectly, the failure of the High-Risk Device, or to affect its safety or effectiveness. Cypress is not liable, in whole or in part, and you shall and hereby do release Cypress from any claim, damage, or other liability arising from any use of a Cypress product as a Critical Component in a High-Risk Device. You shall indemnify and hold Cypress, its directors, officers, employees, agents, affiliates, distributors, and assigns harmless from and against all claims, costs, damages, and expenses, arising out of any claim, including claims for product liability, personal injury or death, or property damage arising from any use of a Cypress product as a Critical Component in a High-Risk Device. Cypress products are not intended or authorized for use as a Critical Component in any High-Risk Device except to the limited extent that (i) Cypress's published data sheet for the product explicitly states Cypress has qualified the product for use in a specific High-Risk Device, or (ii) Cypress has given you advance written authorization to use the product as a Critical Component in the specific High-Risk Device and you have signed a separate indemnification agreement.

Cypress, the Cypress logo, Spansion, the Spansion logo, and combinations thereof, WICED, PSoC, CapSense, EZ-USB, F-RAM, and Traveo are trademarks or registered trademarks of Cypress in the United States and other countries. For a more complete list of Cypress trademarks, visit [cypress.com](http://cypress.com). Other names and brands may be claimed as property of their respective owners.

# Mouser Electronics

Authorized Distributor

Click to View Pricing, Inventory, Delivery & Lifecycle Information:

[Infineon:](#)

[CY62158EV30LL-45BVXIT](#) [CY62158EV30LL-45ZSXIT](#) [CY62158EV30LL-45ZSXI](#) [CY62158EV30LL-45BVXI](#)