

1 2 3 4 5 6

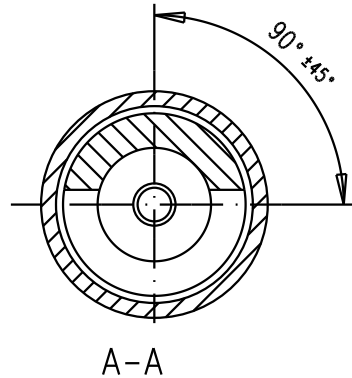
A

B

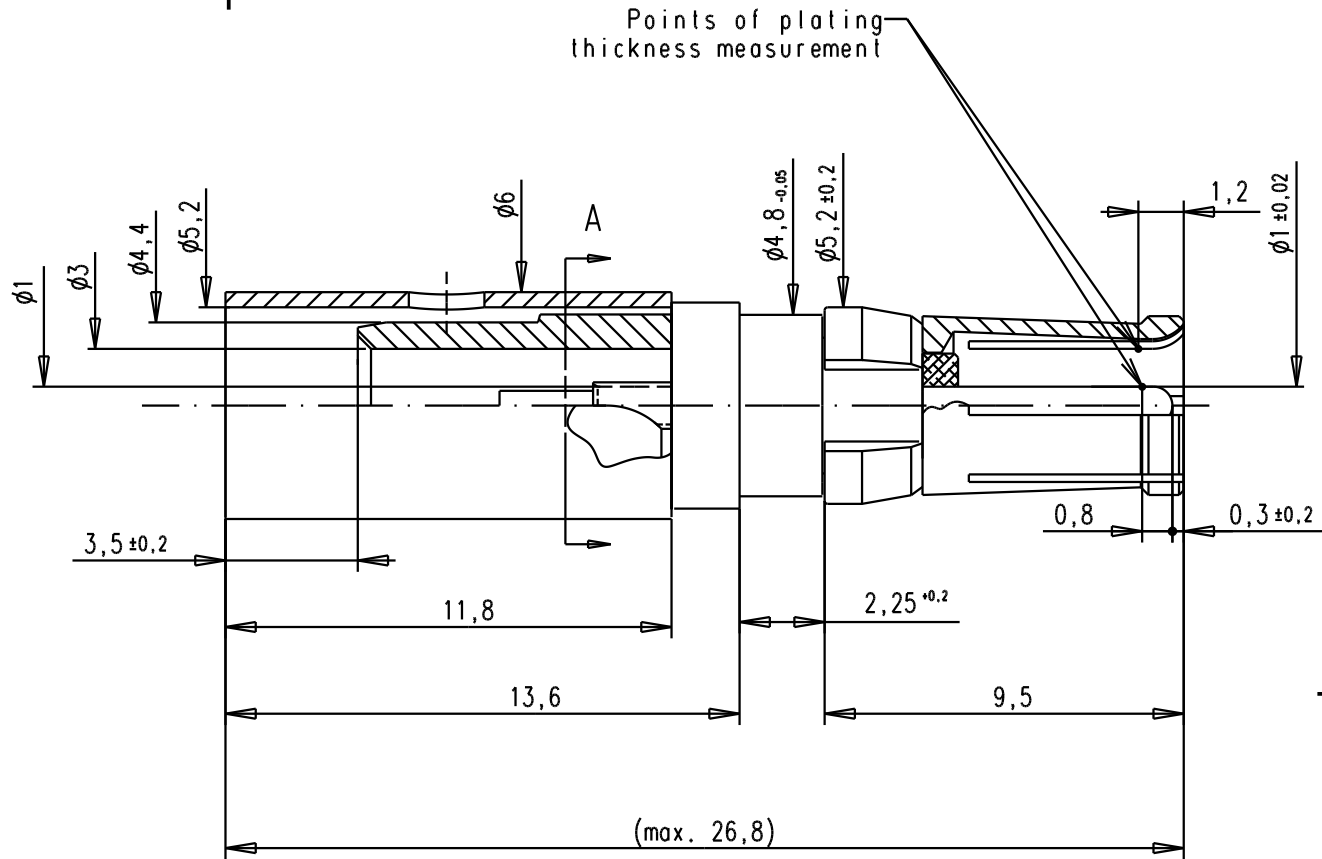
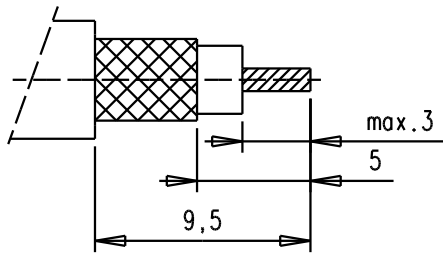
C

D

solder pot position:



harnessing dimensions for cables RG 58CU, RG 141AU





Crimping tool of outer conductor:

hand tool: 09 99 000 0503 00

die: 09 99 000 0515 00

cavity A

				Mod.	Dat.	Name	 All Dim. in mm Orig. Size DIN A 4		Female coaxial contact, 50 Ω, straight cable termination inner conductor for solder termination outer conductor for solder or crimp termination	Maßstab/ Scale  5:1
							Detail. 30/09/04 Insp. Stand.			
09691817143	Mating area	0,2 μm Au	0,2 μm Au							
	Termination area	5 μm Sn	0,2 μm Au							
09691815143	Mating area	0,8 μm Au	1,3 μm Au	32486	13/12/04	TR	HARTING EURL F-95972 Paris		TB 09 69 181 X143	Blatt/ Page 1 / 1
	Termination area	0,2 μm Au	1,3 μm Au	32233	30/09/04	TR				
Part number	Plating	outer conductor	inner conductor	Mod.	Dat.	Name	Sub.			