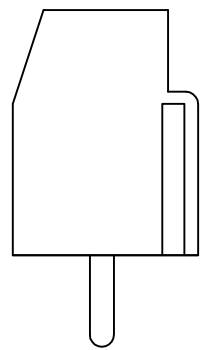
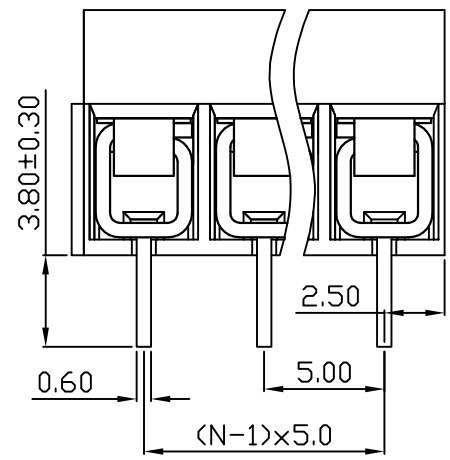
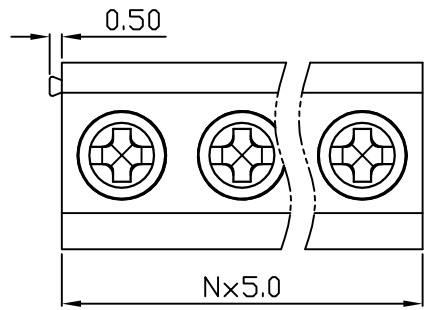
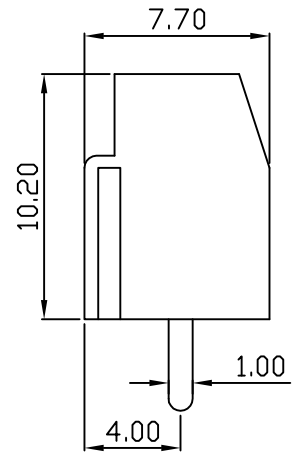
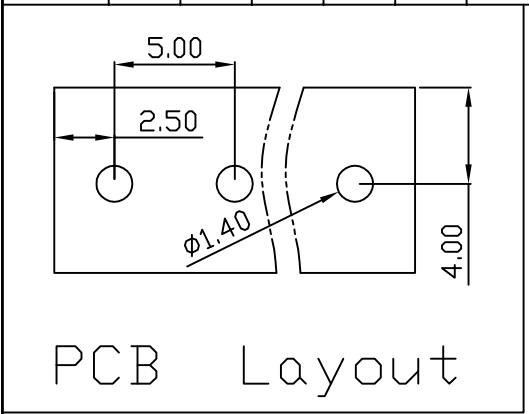


linear dimension(Tolerances Standard GB/T 14486-2008)								—	$\nabla$	$\perp$
variable range	to 6	over 6 to 10	over 10 to 30	over 30 to 60	over 60 to 100	over 100 to 160	over 160 to	to 10	over 10 to 100	over 100 to
tolerance	±0.20	±0.30	±0.50	±0.70	±1.00	±1.30	±1.60	0.10	0.30	0.60



DB126V — 5.0 — XXP — C — S/P

(Series No.) (Pitch) (Poles)

(Color) : 1.(Green) 2.(Black) 3.(Blue) 4.(Clear) 5.(Gray)  
6.(Orange) 7.(Red) 8.(White) 9.(Yellow)

Slotted/Phillips

UL/CUL 技术参数				
UL/CUL Technical Data				
等级 Use Group	B	C	D	
额定电压 Rated Voltage [V]	300	-	300	
额定电流 Rated Current [A]	8	-	8	
接线范围 Wire Range	26-14			
单/多芯线 Solid/Stranded [AWG]				
耐电压 Withstanding Voltage	1600V/1Min			
IEC 技术参数				
IEC Technical Data				
过电压类别 Overvoltage Category	III	III	II	
污染等级 Contamination Class	3	2	2	
额定电压 Rated Voltage [V]	250	400	630	
额定电流 Rated Current [A]	18	18	18	
额定冲击电压 Impulse withstand voltagea [KV]	4	4	4	
导线截面积 Conductor cross section	2.5			
硬质/柔性导线 Solid/flexible [mm <sup>2</sup> ]				
材料 Material				
绝缘材料 Insulation Material	PA66			
阻燃等级 Inflammability	UL94V-0			
导体材料 Contactor Material	铜合金 Copper alloy			
导体表面镀层 Contactive Coating	镀锡 Sn Plated			
一般参数 Other Data				
间距 Pitch [mm]	5.0			
极数 Poles [P]	02-24			
剥线长度 Stripping Length [mm]	6-7			
螺丝 Screw/扭矩 Torque(Max) [N.m]	M2.5/0.25			
工作温度 Operating temperatur [°C]	-40~+105			
引针尺寸 Pin Dimensions [mm]	0.60x1.00			
PCB板孔径 PCB Hole Diameter [mm]	1.40			

**DORABO** 宁波地博电气有限公司  
Ningbo Dorabo Electric CO., Ltd

NAME: DB126V-5.0-XXP-C-P

$\oplus$ $\triangleleft$	SIZE: A4	mm (inch)	REV	TO-1
TYPE: CUSTOMER_DRAWING	SCALE: 1:1	SHEET	1/1	

APPD: JTing Chen	2022.4.6
CHKD: Duck Mao	2022.4.6
DRFT: Steven Lu	2022.4.6