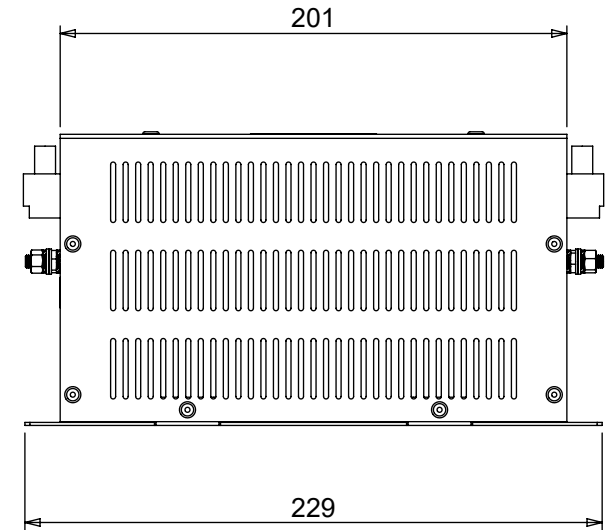
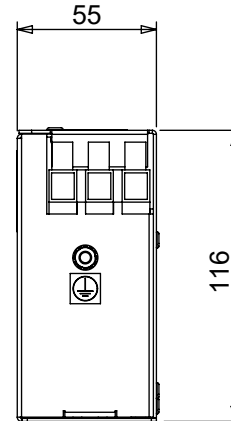
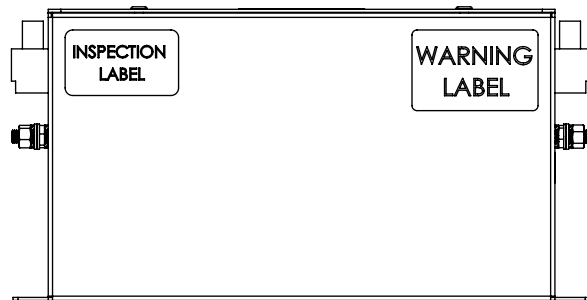
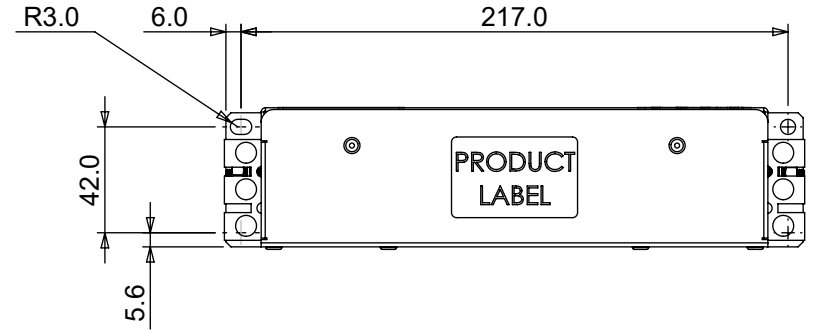
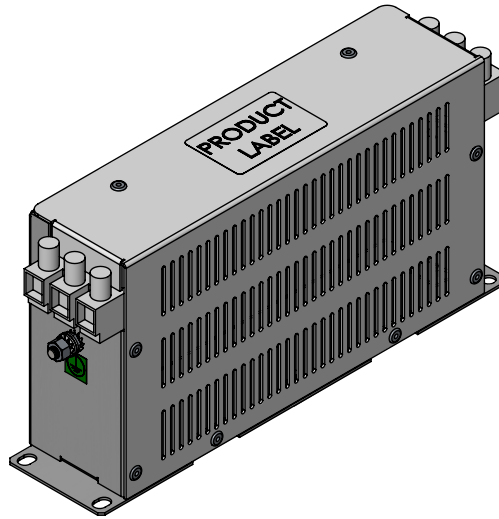


<b>KMF325</b>	
<b>AKA</b>	n/a
<b>Device</b>	rfi filter
<b>Current</b>	25A (UL 23A) 40°C
<b>Earthing</b>	M5x15 stud 2Nm
<b>Enclosure</b>	aluminium 1.2mm
<b>Loss</b>	2.6W/ph
<b>Leakage</b>	1mA operating
<b>Mass</b>	1.0kg
<b>Mounting</b>	M5 2Nm
<b>PCB</b>	n/a
<b>Potting</b>	air/resin
<b>Power</b>	19.1kW(5.5kW)
<b>Protection</b>	IP20
<b>Resistance</b>	4.2mR/ph
<b>Residual</b>	204V 5s
<b>SCCR</b>	200kA when fused
<b>Style</b>	terminal filter
<b>Terminal</b>	screw 2.5-10mm <sup>2</sup> 2Nm 9mm
<b>Varistor</b>	n/a
<b>Supply</b>	3P 480V 50/60Hz
<b>Voltage</b>	528V (480V IT) max
<b>Withstand</b>	2900Vdc 60s
<b>Altitude</b>	2000m w/out derating
<b>Bonding</b>	25A 50/60Hz
<b>Class</b>	class I
<b>Environment</b>	-25/+85/21
<b>Flammability</b>	UL94 V-2 min
<b>Humidity</b>	93% RH non-condensing
<b>Insulation</b>	500Vdc ≥3.5MR
<b>Material</b>	group IIIb
<b>MTBF</b>	22yrs (MIL-HDBK-217F)
<b>Overload</b>	135% 2hrs 150% 60s
<b>Overvoltage</b>	category II
<b>Packaging</b>	ASTM D7386
<b>Pollution</b>	degree II
<b>Shock</b>	15g 11mS
<b>Spacing</b>	≥50mm from ventilated surfaces
<b>Vibration</b>	5-55Hz 350um 55-500Hz 2G
<b>EU</b>	CE EN60939
<b>US</b>	uR UL1283
<b>CAN</b>	cUR CSA22.2
<b>OTHER</b>	n/a



+44(0)1724 273200      www.dem-uk.com

**PROPRIETARY AND CONFIDENTIAL:**

THE INFORMATION CONTAINED IN THIS DRAWING IS THE SOLE PROPERTY OF ALPHA 3 MANUFACTURING. ANY REPRODUCTION IN PART OR AS A WHOLE WITHOUT THE WRITTEN PERMISSION OF ALPHA 3 MANUFACTURING IS PROHIBITED.

DEM Manufacturing is a division of Alpha 3 Manufacturing LTD  
 DEM Manufacturing, Deltron Emcon House, Hargreaves Way,  
 Sawcliffe Ind. Park, Scunthorpe, North Lincolnshire, DN15 8RF, UK

UNLESS OTHERWISE SPECIFIED DIMENSIONS ARE IN MILLIMETRES  
 LINEAR & RADIAL TOLERANCE:  
**NO DECIMAL PLACES ±0.5mm**  
**1 DECIMAL PLACE ±0.25mm**  
**2 DECIMAL PLACES ±0.125mm**  
**ANGULAR TOLERANCE: ±1°**

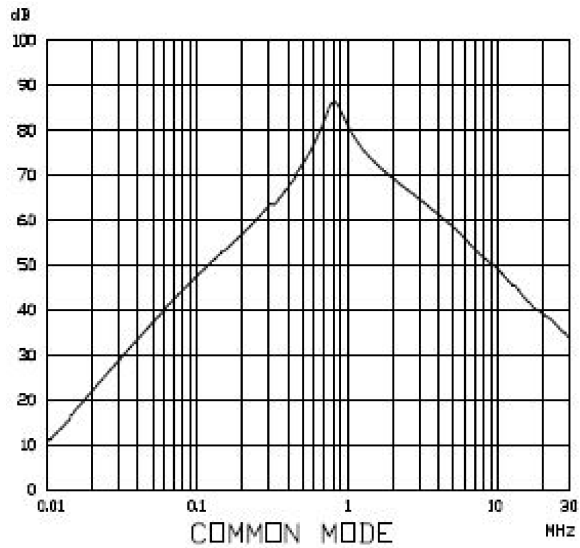
**IF IN DOUBT ASK! DO NOT SCALE DRAWING!**

FINISH	-
MATERIAL	-

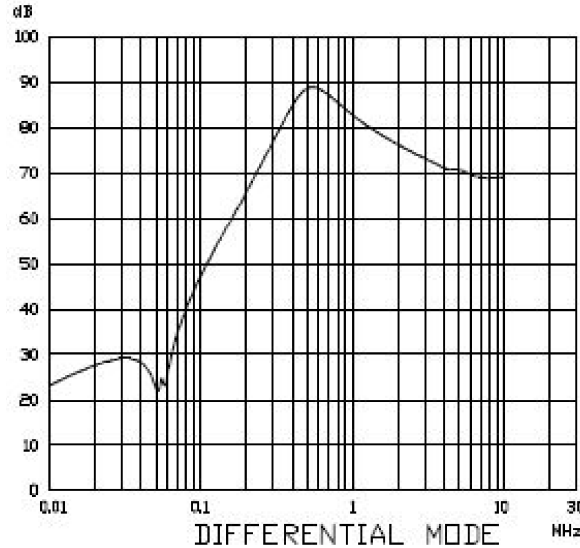
THE FINISHED PRODUCT SHOULD BE CLEAN AND FREE FROM ALL LIQUIDS AND DEBRIS. SURFACES SHOULD BE OF UNIFORM APPEARANCE FREE FROM SHARP EDGES, BURRS AND CORROSION

AUTHOR	SW
EDITOR	SW
APPROVER	SW
THIRD ANGLE PROJECTION	
SHEET 1 OF 2	A4
SCALE 1:5	A4

TITLE	SPECIFICATION	
FILE	KMF325	
PART	KMF325	
ISSUE/REV.	010	EDIT DATE 14/01/2020
RELEASED		RELEASE DATE 14/01/2020



A1: 50/50Ω ASYMMETRICAL (COMMON)



A2: 50/50Ω SYMMETRICAL (DIFFERENTIAL)

B: 50/50Ω ASYMMETRICAL (COMMON) LINE Y-CAP/CLIP REMOVED

C: 50/50Ω ASYMMETRICAL (COMMON) LOAD Y-CAP/CLIP REMOVED

D: 50/50Ω ASYMMETRICAL (COMMON) Y-CAPS/CLIPS REMOVED

**PROPRIETARY AND CONFIDENTIAL:**

THE INFORMATION CONTAINED IN THIS DRAWING IS THE SOLE PROPERTY OF ALPHA 3 MANUFACTURING. ANY REPRODUCTION IN PART OR AS A WHOLE WITHOUT THE WRITTEN PERMISSION OF ALPHA 3 MANUFACTURING IS PROHIBITED.

DEM Manufacturing is a division of Alpha 3 Manufacturing LTD  
 DEM Manufacturing, Deltron Emicon House, Hargreaves Way,  
 Sawcliffe Ind. Park, Scunthorpe, North Lincolnshire, DN15 8RF, UK

UNLESS OTHERWISE SPECIFIED  
 DIMENSIONS ARE IN MILLIMETRES  
 LINEAR & RADIAL TOLERANCE:  
**NO DECIMAL PLACES ±0.5mm**  
**1 DECIMAL PLACE ±0.25mm**  
**2 DECIMAL PLACES ±0.125mm**  
**ANGULAR TOLERANCE: ±1°**

**IF IN DOUBT ASK! DO NOT SCALE DRAWING!**

FINISH	-
MATERIAL	-
THE FINISHED PRODUCT SHOULD BE CLEAN AND FREE FROM ALL LIQUIDS AND DEBRIS. SURFACES SHOULD BE OF UNIFORM APPEARANCE FREE FROM SHARP EDGES, BURRS AND CORROSION	

AUTHOR		TITLE	
EDITOR	SW	FILE	KMF325
APPROVER	SW	PART	KMF325
THIRD ANGLE PROJECTION		ISSUE/REV.	010
SHEET 2 OF 2		EDIT DATE	14/01/2020
SCALE 1:1	A4	RELEASED	RELEASE DATE 14/01/2020