

[Find by Feature](#)
[Browse by Category](#)
[Share](#)
 [Search →](#)

Enter part number or keyword

[Search Results \(0\)](#)
[Search Options](#)

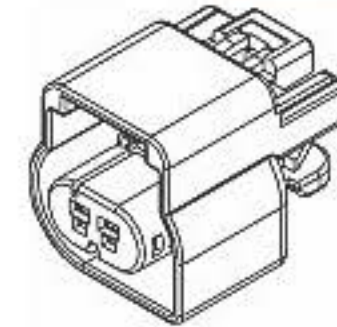
Select a product type to narrow your search:

Results with your selections: --

[Clear](#)
[Search →](#)

2 Way Natural GT 150 Sealed Female Connector Assembly, Max Current 15 amps

Part #15374222



Question about this product?

[Attributes](#)
[Documents \(7\)](#)
[Related Products \(17\)](#)

Part #:	15374222
Description:	2 Way Natural GT 150 Sealed Female Connector Assembly, Max Current 15 amps
Product Type:	Connector
Status:	Active
Family:	GT
Series:	1.5
Cavities:	2
Terminal(s) blade size [mm]:	1.5
Sealed:	Sealed
Gender:	Female
Temperature range [°C]:	-40 to 125
Material:	High Temperature Nylon
Weight [g]:	6.15
Color:	Natural
ELV compliant:	Yes
RoHs compliant:	Yes

Remarks:

15374222 is a premium material (high temp) and higher cost connection system. assembly 13542790 will be available using standard materials with lower cost. make sure you are