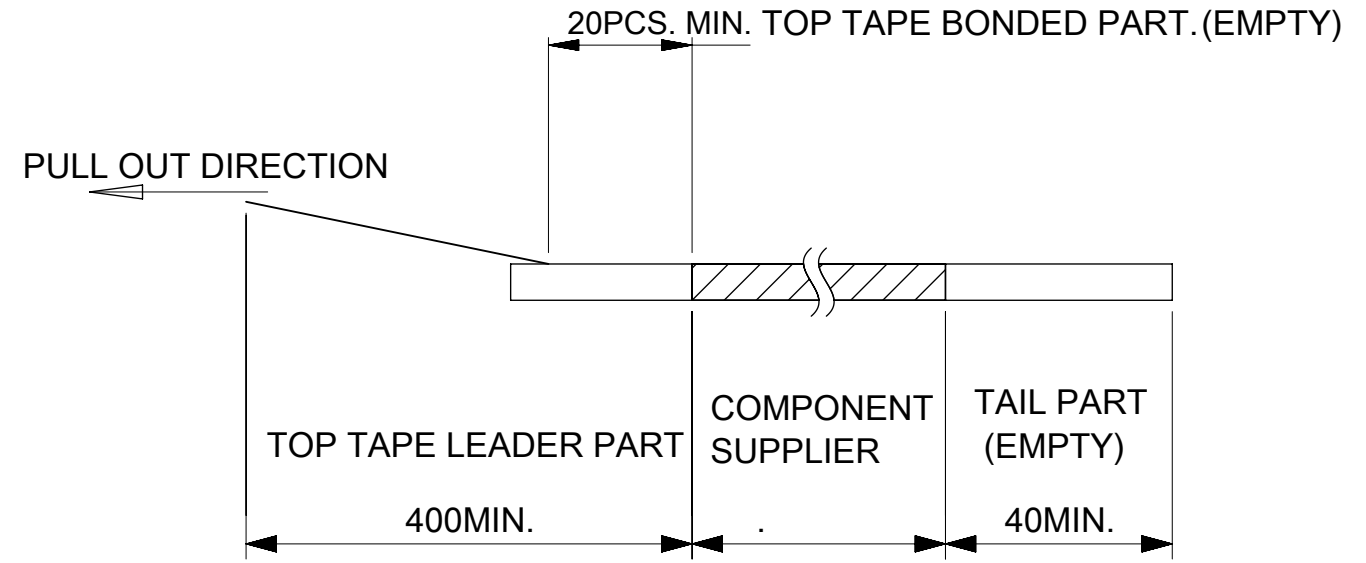
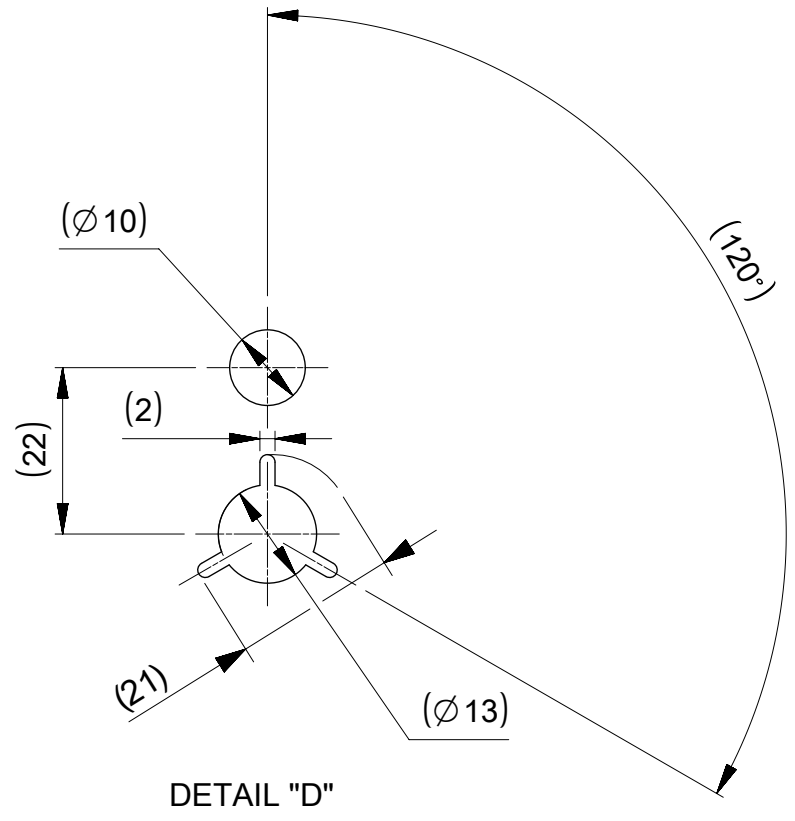
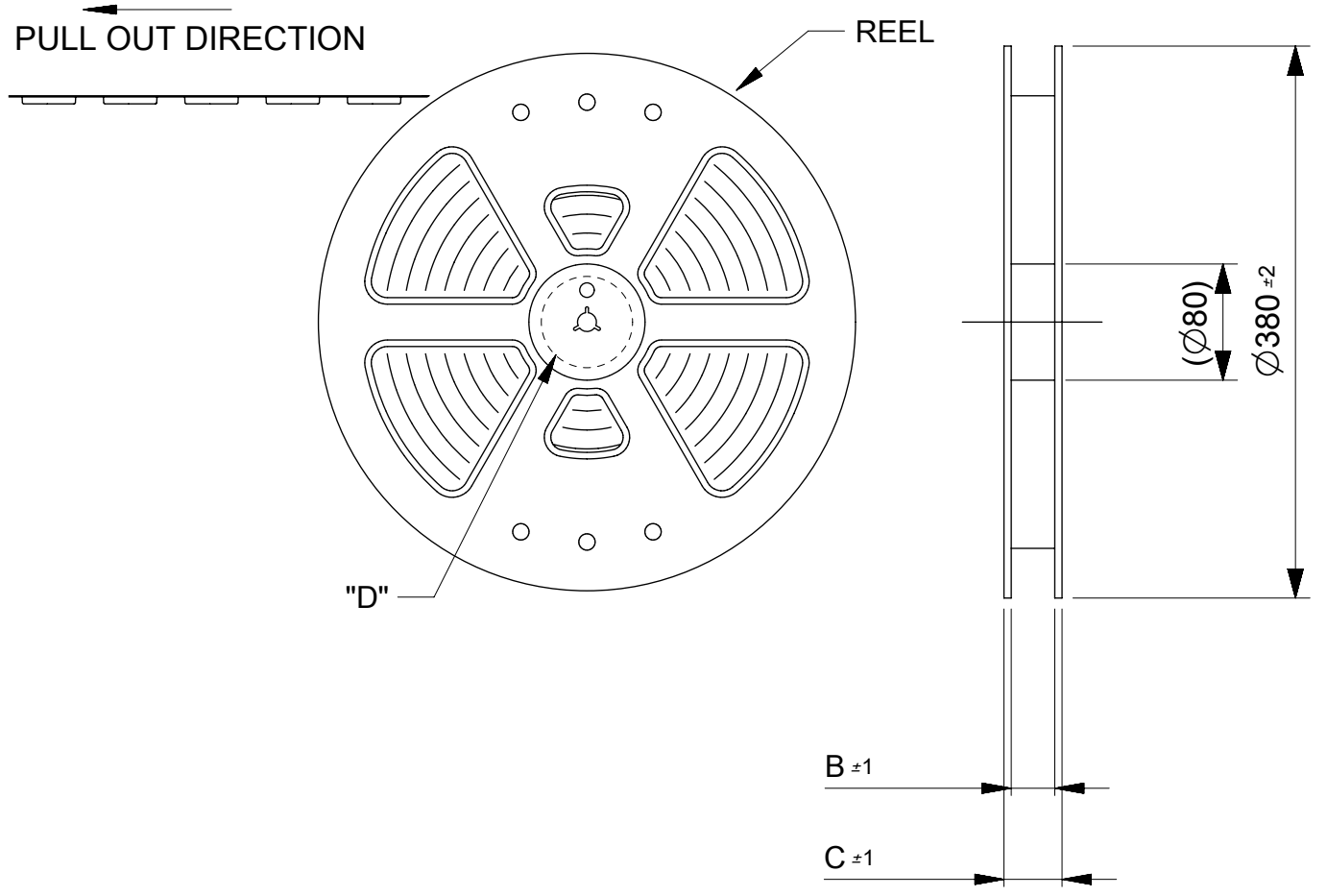


NOTES

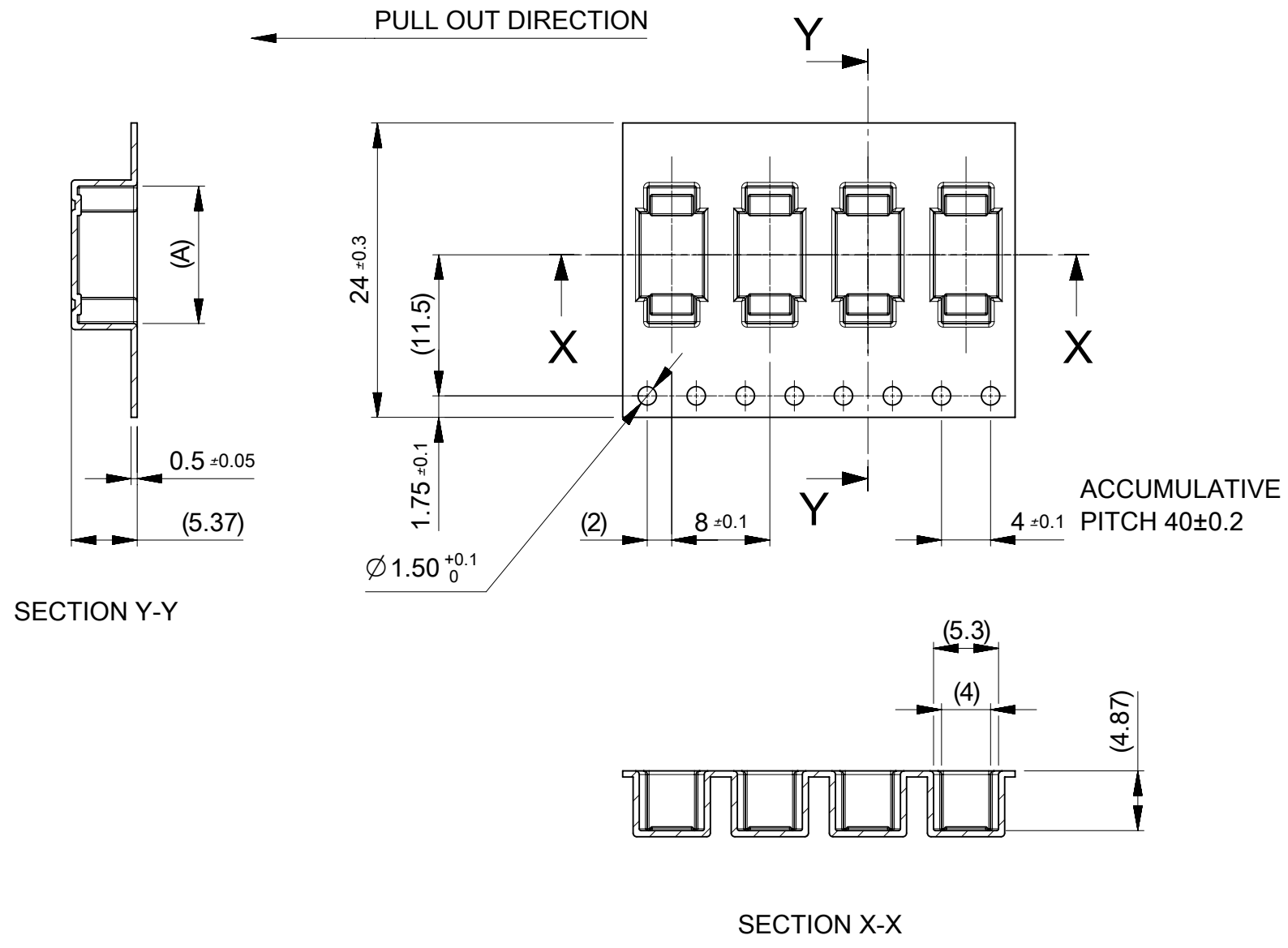
1. RE DETAILED DIMENSION, SEE PRODUCT DRAWING.
2. NUMBER OF CONNECTORS : 2200 PCS/REEL.
3. LEAD TAPE LENGTH.



4. TOP TAPE PEEL FORCE IS DEFINED BY IEC60286-3
5. MATERIAL  
 CARRER TAPE :POLYSTYRENE  
 TOP TAPE :PET , OTHER  
 REEL :POLYSTYRENE(PS)(RECYCLE MATERIAL CONTAINED)
6. ELV AND RoHS COMPLIANT



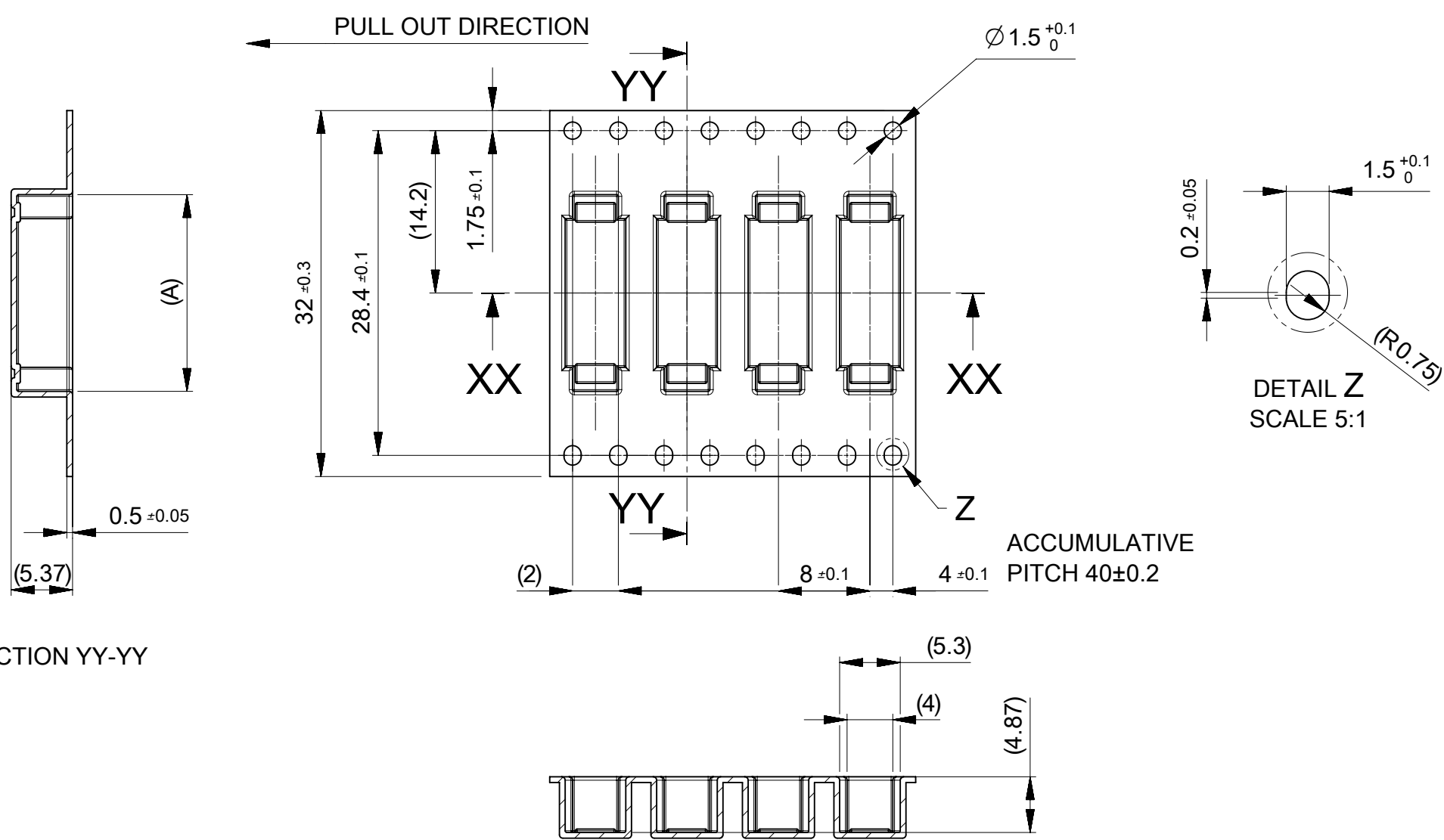
THIS DRAWING CONTAINS INFORMATION THAT IS PROPRIETARY TO MOLEX ELECTRONIC TECHNOLOGIES, LLC AND SHOULD NOT BE USED WITHOUT WRITTEN PERMISSION									
DIMENSION UNITS	SCALE	CURRENT REV DESC:			<b>molex</b>				
mm	2:1								
GENERAL TOLERANCES (UNLESS SPECIFIED)		EC NO: 600824			0.4 FLOATING BB H=5 PLUG EMBOSSTP PKG.				
ANGULAR TOL	± °	DRWN: STERUKI 2018/06/26			PRODUCT CUSTOMER DRAWING				
4 PLACES	±	CHK'D: KSASAKI 2018/06/29			DOCUMENT NUMBER				
3 PLACES	±	APPR: TKUSUHARA01 2018/06/29			2039560000				
2 PLACES	±	INITIAL REVISION:			DOC TYPE		DOC PART		REVISION
1 PLACE	±	DRWN: STERUKI 2018/05/01			PSD		001		A1
0 PLACES	±	APPR: TKUSUHARA01 2018/06/22			MATERIAL NUMBER		CUSTOMER		SHEET NUMBER
DRAFT WHERE APPLICABLE MUST REMAIN WITHIN DIMENSIONS		THIRD ANGLE PROJECTION		DRAWING	SERIES	MATERIAL NUMBER	CUSTOMER		SHEET NUMBER
				A3-SIZE	203956	SEE CHART	GENERAL		1 OF 3



24	29.4	25.4	15.2	2039560501	---	---	50
			13.2	2039560401	---	---	40
			11.2	2039560301	○	---	30
			9.2	2039560201	---	---	20
キャリアテープ幅 CARRIER TAPE WIDTH	C	B	(A)	MATERIAL No.	HIGH VOL. TOOL	LOW VOL. TOOL	CIRCUIT
					SAMPLE PREPARATION		

THIS DRAWING CONTAINS INFORMATION THAT IS PROPRIETARY TO MOLEX ELECTRONIC TECHNOLOGIES, LLC AND SHOULD NOT BE USED WITHOUT WRITTEN PERMISSION

DIMENSION UNITS mm	SCALE 1:1	CURRENT REV DESC:		<b>molex</b>
GENERAL TOLERANCES (UNLESS SPECIFIED)		EC NO: 600824		
ANGULAR TOL ± °		DRWN: STERUKI	2018/06/26	0.4 FLOATING BB H=5 PLUG EMBOSSTP PKG.
4 PLACES ±		CHK'D: KSASAKI	2018/06/29	
3 PLACES ±		APPR: TKUSUHARA01	2018/06/29	PRODUCT CUSTOMER DRAWING
2 PLACES ±		INITIAL REVISION:		DOCUMENT NUMBER
1 PLACE ±		DRWN: STERUKI	2018/05/01	2039560000
0 PLACES ±		APPR: TKUSUHARA01	2018/06/22	DOC TYPE
DRAFT WHERE APPLICABLE MUST REMAIN WITHIN DIMENSIONS	THIRD ANGLE PROJECTION	DRAWING	SERIES	DOC PART
		A3-SIZE	203956	REVISION
				001
				A1
				SHEET NUMBER
				2 OF 3



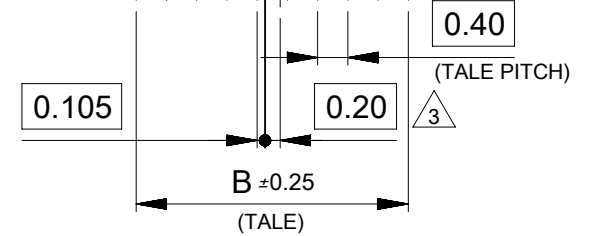
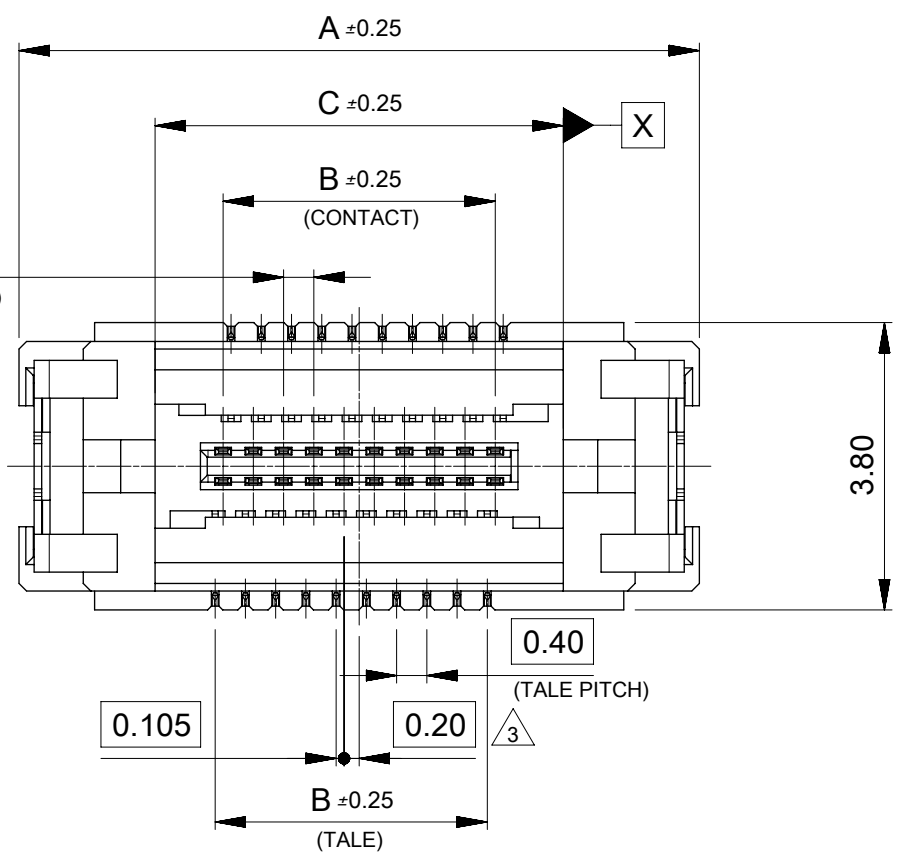
SECTION YY-YY

SECTION XX-XX

32	37.4	33.4	17.2	2039560601	---	---	60
キャリアテープ幅 CARRIER TAPE WIDTH	C	B	(A)	MATERIAL No.	HIGH VOL. TOOL	LOW VOL. TOOL	CIRCUIT
					SAMPLE PREPARATION		

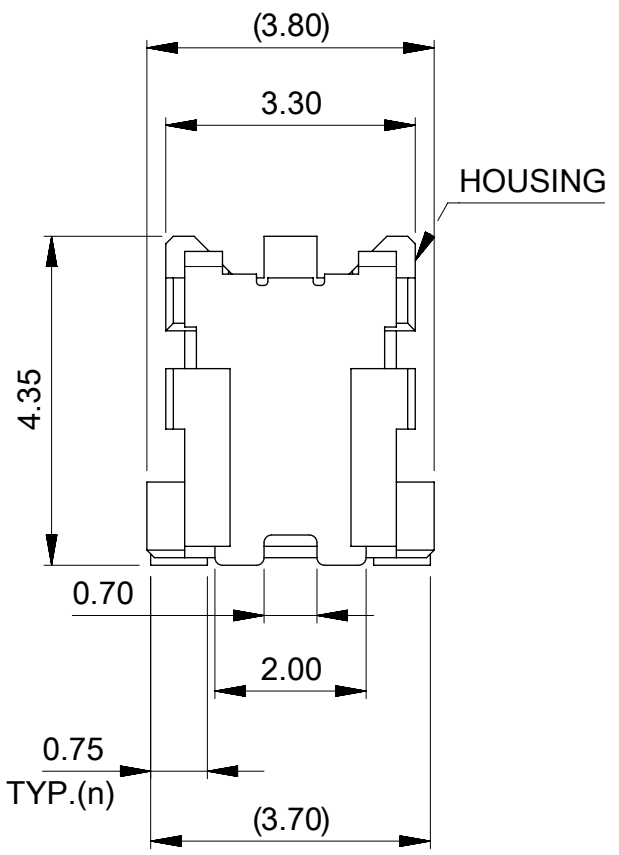
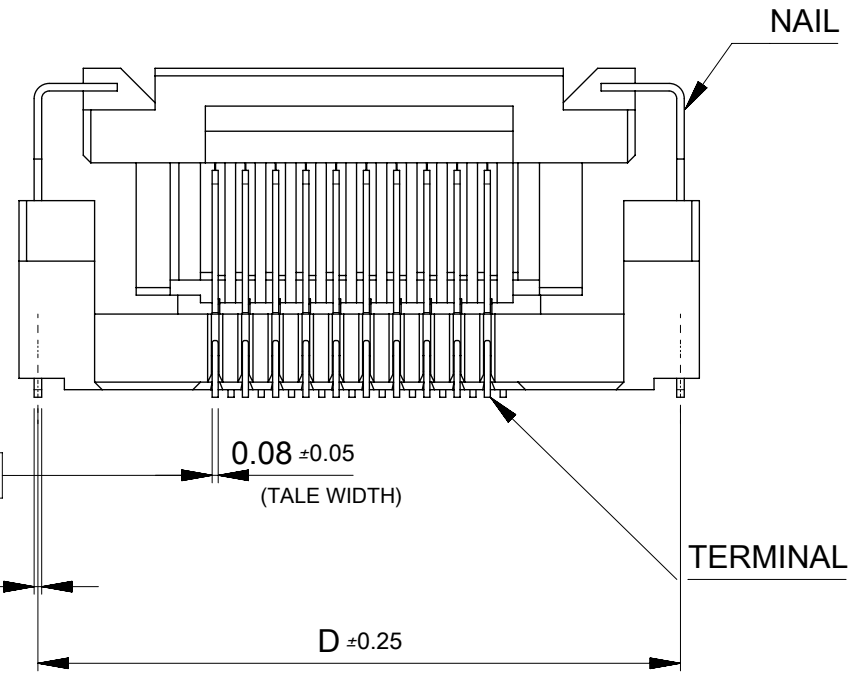
THIS DRAWING CONTAINS INFORMATION THAT IS PROPRIETARY TO MOLEX ELECTRONIC TECHNOLOGIES, LLC AND SHOULD NOT BE USED WITHOUT WRITTEN PERMISSION							
DIMENSION UNITS mm	SCALE 2:1	CURRENT REV DESC:			<b>molex</b>		
GENERAL TOLERANCES (UNLESS SPECIFIED)		EC NO: 600824					
ANGULAR TOL ± °		DRWN: STERUKI 2018/06/26			PRODUCT CUSTOMER DRAWING		
4 PLACES ±		CHK'D: KSASAKI 2018/06/29			DOCUMENT NUMBER		
3 PLACES ±		APPR: TKUSUHARA01 2018/06/29			2039560000		
2 PLACES ±		INITIAL REVISION:			DOC TYPE	DOC PART	REVISION
1 PLACE ±		DRWN: STERUKI 2018/05/01			PSD	001	A1
0 PLACES ±		APPR: TKUSUHARA01 2018/06/22			SHEET NUMBER		
DRAFT WHERE APPLICABLE MUST REMAIN WITHIN DIMENSIONS	THIRD ANGLE PROJECTION	DRAWING	SERIES	MATERIAL NUMBER	CUSTOMER	SHEET NUMBER	
		A3-SIZE	203956	SEE CHART	GENERAL	3 OF 3	

0.4 ±0.1  
(CONTACT PITCH)

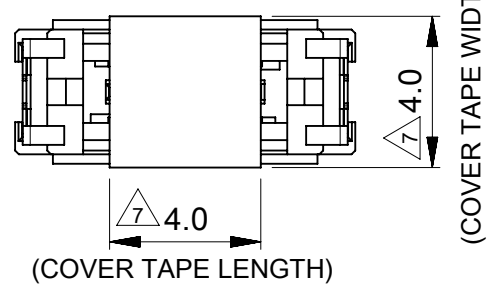


0.15 X

0.10 ±0.05  
(NAIL WIDTH)



COVER TAPE LAYOUT



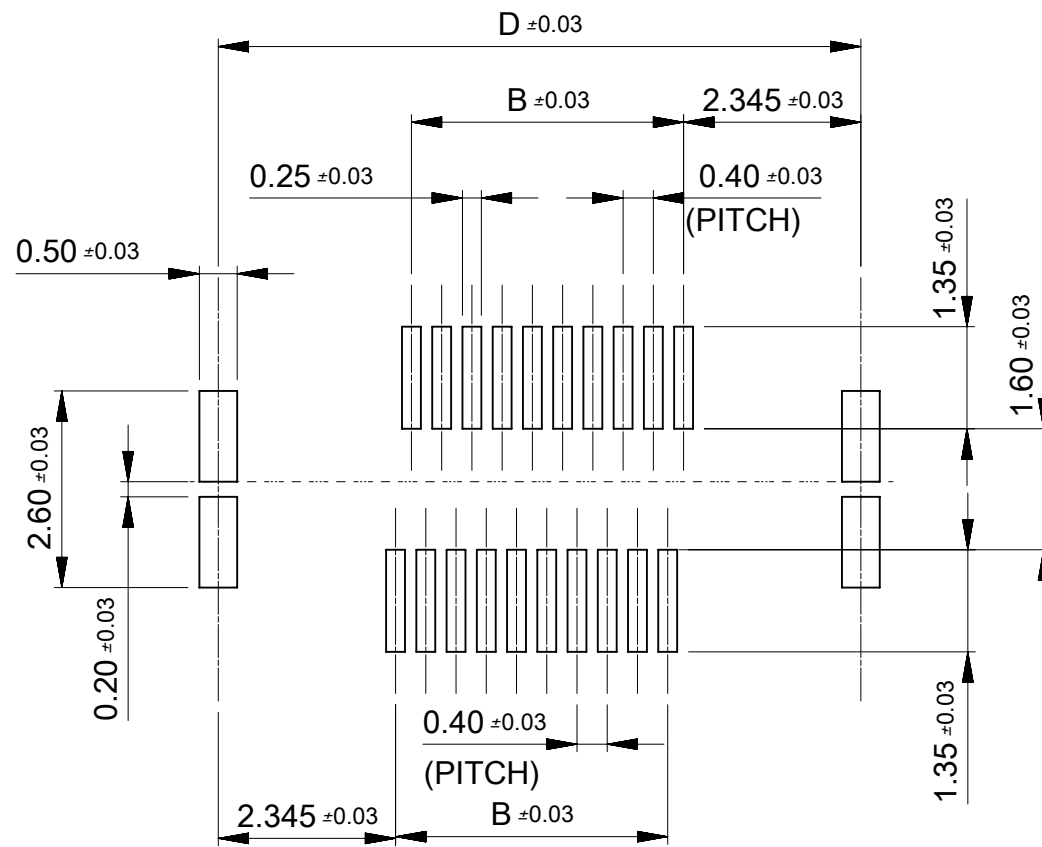
- 1 MATERIAL  
 WAFER: LIQUID CRYSTAL POLYMER UL94V-0 (COLOR : BLACK)  
 TERMINAL: COPPER ALLOY  
 FITTING NAIL: COPPER ALLOY  
 COVER TAPE: POLYIMIDE
- 2 PLATING  
 TERMINAL :  
 CONTACT AREA: GOLD PLATING.  
 SOLDER TAIL AREA: GOLD PLATING.  
 UNDERPLATE: NICKEL OVERALL.  
 FITTING NAIL:  
 SURFACE: TIN OVERALL  
 UNDERPLATE: NICKEL OVERALL.
- △ 3 APPLY FOR (CIRCUIT/2)=EVEN.
- 4 MATE WITH :203955\*\*\*\*
- 5 TAIL COPLANARITY TO BE 0.1 MAXIMUM.
- 6 ELV and RoHS COMPLIANT.
- △ 7 ALL CIRCUIT IS COMMON LENGTH.

16.5	13.4	11.6	17	2039560601	○	---	60
14.5	11.4	9.6	15	2039560501	○	---	50
12.5	9.4	7.6	13	2039560401	○	---	40
10.5	7.4	5.6	11	2039560301	○	△	30
8.5	5.4	3.6	9	2039560201	○	---	20
D	C	B	A	EMBOSSED TAPE PACKAGE	HIGH VOL. TOOL	LOW VOL. TOOL	CIRCUIT
				ORDER NO.	SAMPLE PREPARATION ○ : TOOLED △ : WORK IN PROCESS ---: TOOLING TO BE CONFIRMED		

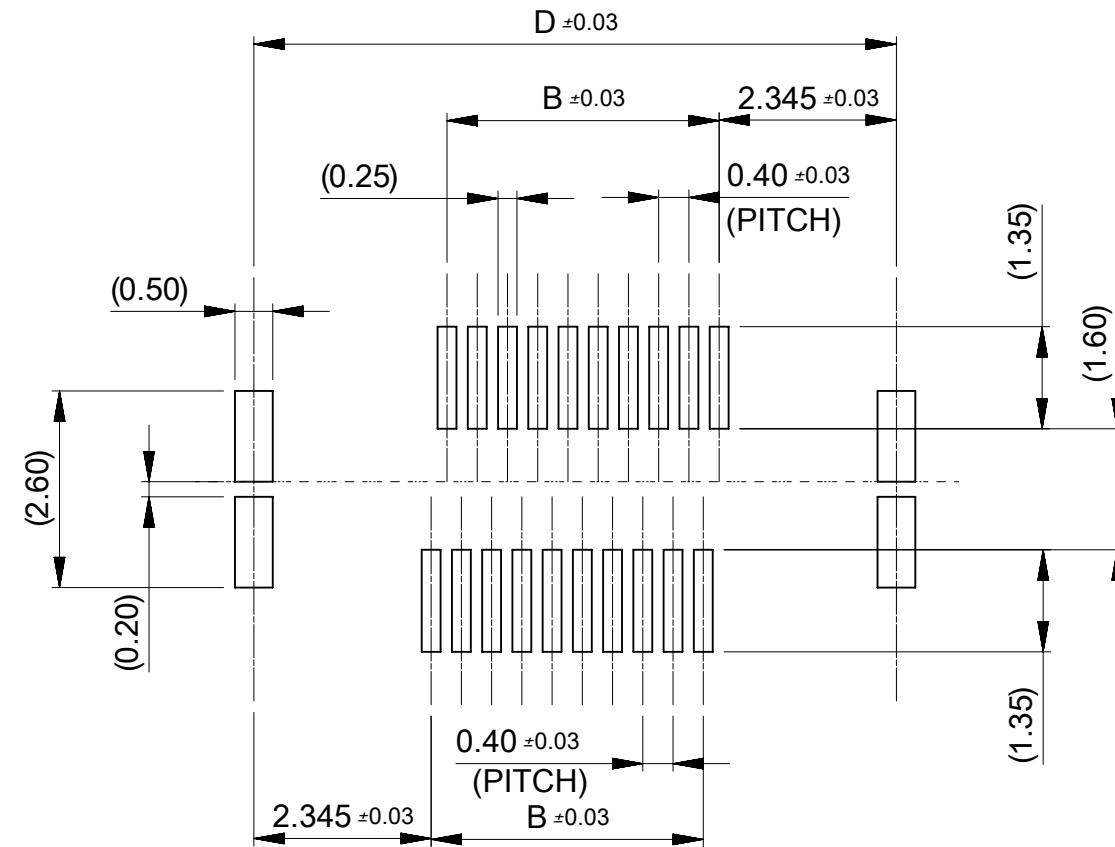
CONNECTOR SERIES NO. : 2039561\*\*1

THIS DRAWING CONTAINS INFORMATION THAT IS PROPRIETARY TO MOLEX ELECTRONIC TECHNOLOGIES, LLC AND SHOULD NOT BE USED WITHOUT WRITTEN PERMISSION

DIMENSION UNITS	SCALE	CURRENT REV DESC: RELEASED		<b>molex</b>	
mm	10:1				
GENERAL TOLERANCES (UNLESS SPECIFIED)		EC NO: 613911		0.4 FLOATING BB CONN.H=5 PLUG ASSY	
ANGULAR TOL	± 1.0°	DRWN: STERUKI	2019/03/18	PRODUCT CUSTOMER DRAWING	
4 PLACES	± 0.2	CHK'D: KSASAKI	2019/03/18	DOCUMENT NUMBER	
3 PLACES	± 0.2	APPR: TKUSUHARA01	2019/03/18	2039561000	DOC TYPE
2 PLACES	± 0.2	INITIAL REVISION:		000	REVISION
1 PLACE	± 0.2	DRWN: STERUKI	2018/06/19	A3	
0 PLACES	± 0.2	APPR: TKUSUHARA01	2018/06/22	SHEET NUMBER	
DRAFT WHERE APPLICABLE MUST REMAIN WITHIN DIMENSIONS		THIRD ANGLE PROJECTION	DRAWING	SERIES	MATERIAL NUMBER
		⊕	A3-SIZE	203956	CUSTOMER
					SEE CHART
					GENERAL
					1 OF 2



RECOMMENDED P.W.BOARD PATTERN LAYOUT(REFERENCE)



RECOMMENDED METAL MASK LAYOUT(REFERENCE)

RECOMMENDED THICKNESS OF METAL MASK : t=0.1mm  
 RECOMMENDED OPEN APERTURE RATIO OF METAL MASK : 100%

THIS DRAWING CONTAINS INFORMATION THAT IS PROPRIETARY TO MOLEX ELECTRONIC TECHNOLOGIES, LLC AND SHOULD NOT BE USED WITHOUT WRITTEN PERMISSION											
DIMENSION UNITS	SCALE	CURRENT REV DESC: RELEASED									
mm	10:1										
GENERAL TOLERANCES (UNLESS SPECIFIED)		EC NO: 613911					0.4 FLOATING BB CONN.H=5 PLUG ASSY				
ANGULAR TOL	± 1.0 °	DRWN: STERUKI 2019/03/18									
4 PLACES	± 0.2	CHK'D: KSASAKI 2019/03/18									
3 PLACES	± 0.2	APPR: TKUSUHARA01 2019/03/18					PRODUCT CUSTOMER DRAWING				
2 PLACES	± 0.2	INITIAL REVISION:					DOCUMENT NUMBER		DOC TYPE	DOC PART	REVISION
1 PLACE	± 0.2	DRWN: STERUKI 2018/06/19					2039561000		PSD	000	A3
0 PLACES	± 0.2	APPR: TKUSUHARA01 2018/06/22					MATERIAL NUMBER		CUSTOMER		SHEET NUMBER
DRAFT WHERE APPLICABLE MUST REMAIN WITHIN DIMENSIONS		THIRD ANGLE PROJECTION	DRAWING	SERIES	MATERIAL NUMBER	CUSTOMER		SHEET NUMBER			
			A3-SIZE	203956	SEE CHART	GENERAL		2 OF 2			