

# EM271



## Multi-channel power analyzer



### Description

Multi-load power analyzer for single or three-phase systems installable on panels or DIN rails. Manages current input via two groups of split-core current sensors connected with RJ-11 connectors. The EM271 is equipped with a LCD display with controls to display measurements and configure the system, a RS485 port and two pulse outputs or two RS485 ports for daisy chain connections. Thanks to the SUM function, it also displays total load consumption values.

### Benefits

- **Reduced installation time and errors.** Equipped with detachable terminals for all connections, with possibility of requesting pre-wired cables (optional). Connected to two groups of split-core current sensors with two cables fitted with RJ-11 connectors. For connections in cascade of multiple EM271s the voltage reference is required only once.
- **Installation flexibility.** It can be installed in new or existing single- and three-phase systems. Suitable for panel or DIN rail mounting .
- **Granular analysis.** It provides total measurements or single load measurements (up to 2 three-phase loads or up to 6 single-phase loads).
- **Specific software.** The UCS proprietary configuration software enables rapid configuration and the display of all measurements. The software and subsequent updates are free.
- **Tamper-proof.** Configuration access can be locked. The terminals and display can be sealed.
- **Self detection** of primary current of the TCDxM (the dedicated current transformers).

### Applications

EM271 is connected directly to current sensors in switchboards for simultaneous monitoring of multiple single or three-phase loads in low voltage systems.

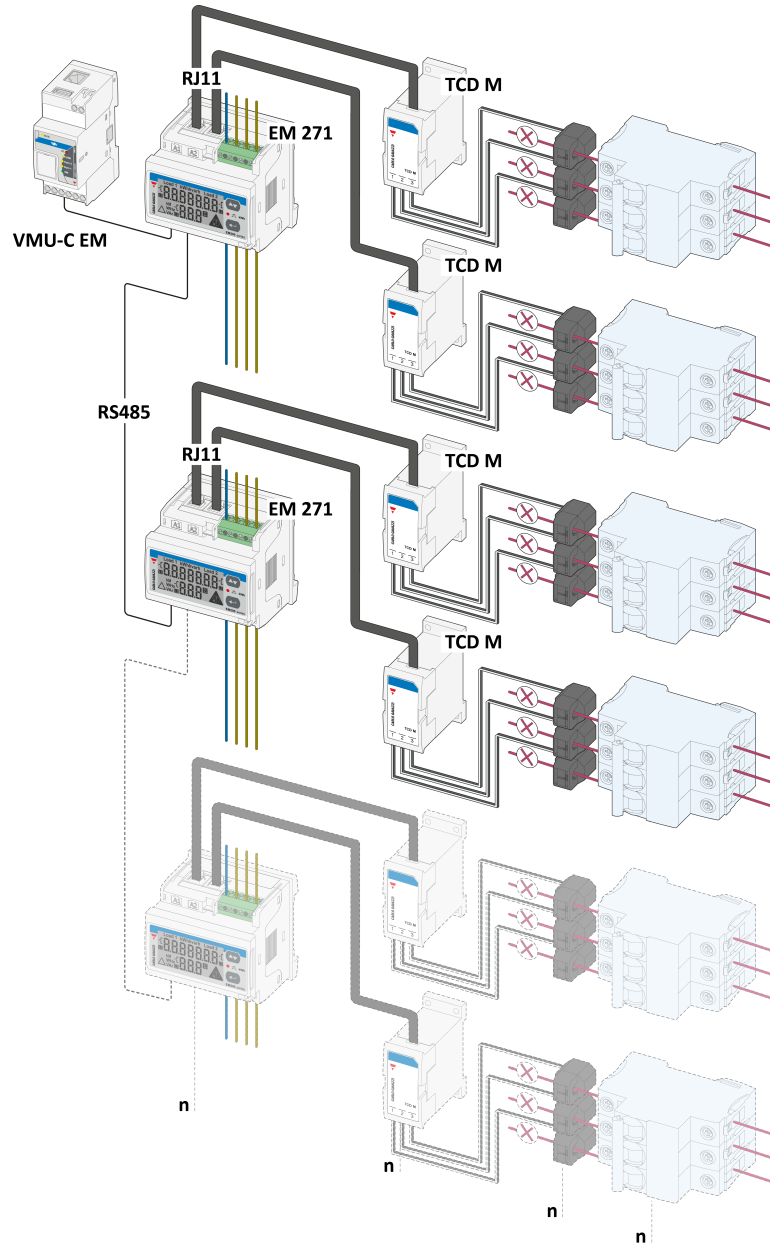
Created for both commercial and industrial environments (e.g. data centers), this device guarantees quick and space-saving installations with just a few simple connections.

Suitable for retro-fit applications and for new installations where more flexibility is required.

### Main functions

- Measurement of energy consumption and main electrical variables of single- or three-phase circuits.
- Display of single circuit measurements and total measurements.
- Transmission of data via serial communication.
- Transmission of power consumption via pulse output (optional).

## Architecture

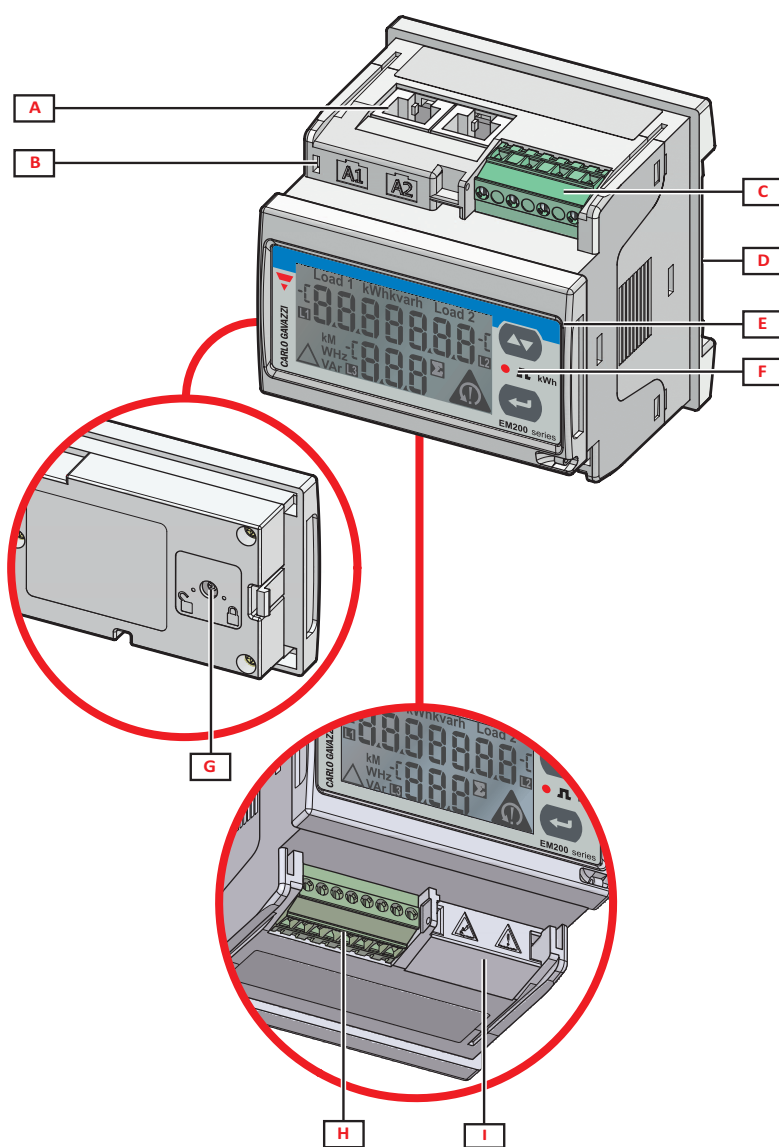


## Main features

- Up to 2 three-phase loads or 6 single-phase loads managed simultaneously.
- Up to 400 A input current via pre-cabled groups of current sensors (TCDxM) or any primary current of current up to 10000 A sensor with 0.333 V secondary output (via connection adapter TCDMM).
- Three installation configurations: on DIN rails, mounted on panel of 72 x 72 or 96 x 96 (with optional adapter).
- Single load measurements: V, A, W/VA/var, kWh, kvarh. Total load measurements: W/VA/var, kWh, kvarh.
- Display of electrical variables: 3 digits. Display of energy meters: 7 digits.

- Accuracy: better than a combination of a class 1 meter and a class 0.5 current transformer.
- Easy connection function.
- Up to 20 analyzers EM271 connected in cascade.
- RS485 port.
- Optional outputs: additional RS485 port for chain connection or two pulse outputs.
- Self power supply via voltage inputs.
- Detachable terminals and sealable terminal caps.
- Configuration via keypad or UCS configuration software.

## Structure



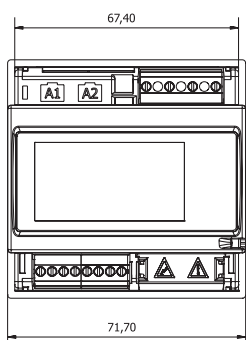
---

Area	Description
A	RJ-11 connector for connection to transformer block.
B	Power supply status LED.
C	Detachable voltage input terminals.
D	Area for mounting on DIN rail or for housing the LCD display in the case of panel mounting.
E	LCD display and controls.
F	LED that blinks with frequency proportional to active energy consumption, see "LED features".
G	Rotary selector to lock configuration.
H	RS485 port terminals and pulse outputs.
I	Plastic protection cover or terminals for voltage connection in cascade.

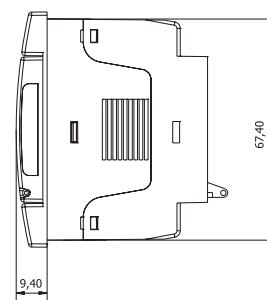
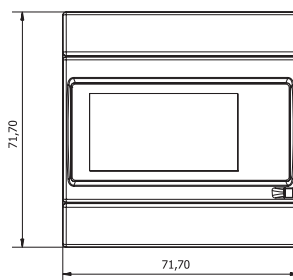
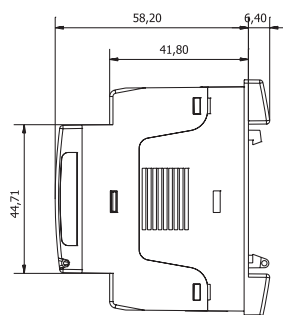
## Features

### General

<b>Material</b>	Noryl, self-extinguishing V-0 (UL 94)
<b>Protection degree</b>	Front: IP40, Terminals: IP20
<b>Terminals</b>	Type: detachable Maximum section: 1.5 mm <sup>2</sup> , Torque: 0.2/0.25 Nm
<b>Overvoltage category</b>	Cat. III
<b>Pollution degree</b>	2
<b>Noise rejection (CMRR)</b>	100 dB, from 48 to 62 Hz
<b>Insulation</b>	See "Input and output insulation"
<b>Mounting</b>	DIN rail Panel 72 x 72, Panel 96 x 96 (with optional adapter)
<b>Weight</b>	400 g (packaging included)



**Fig. 1** DIN rail



**Fig. 2** Panel 72 x 72

### Environmental specifications

<b>Operating temperature</b>	From -25 to +55 °C/from -13 to +131 °F
<b>Storage temperature</b>	From -30 to +70 °C/from -22 to 158 °F

**Note:** R.H. < 90 % non-condensing @ 40 °C / 104 °F.




## Input and output insulation

Type	Voltage input and self power supply	Current inputs	Pulse outputs	RS485 port
Voltage input and self power supply	-	Reinforced *	Double **	Double **
Current inputs	Reinforced *	-	Double **	Double **
Pulse outputs	Double **	Double **	-	-
RS485 port	Double **	Double **	-	-

\*By limiting impedance

\*\*2.5 kV ac 1 min (4 kV pk 1.2/50  $\mu$ s)+ limiting impedance

## Conformity

Directives	2014/30/EU (EMC - Electro Magnetic Compatibility) 2011/65/EU (Electric-electronic equipment hazardous substances)
Standards	Electromagnetic compatibility (EMC) - emissions and immunity: EN 62052-11 Electrical safety: EN 61010-1 Pulse output: IEC 62053-31, DIN 43864 Metrology: EN62053-21, EN62053-23
Approvals	  

## Electrical specifications

### Electrical system and circuits

Managed electrical system	Single-phase (2-wire) Three-phase without neutral (3-wire) Three-phase with neutral (4-wire)
Number of circuits managed	Single-phase systems: up to 6 single-phase loads Three-phase systems: up to 2 three-phase circuits or up to 6 single-phase loads

### Voltage inputs

	MV5	MV6
Voltage connection	Direct or via VT	
Rated voltage L-N (from $U_n$ min to $U_n$ max)	From 160 to 240 V	From 57.7 to 133 V
Rated voltage L-L (from $U_n$ min to $U_n$ max)	From 277 to 415 V	From 100 to 230 V

	MV5	MV6
<b>Voltage tolerance</b>	-10%, +10%	
<b>Overload</b>	Continuous: 1.2 Un max For 500 ms: 2 Un max	
<b>Input impedance</b>	1600 kΩ	
<b>Frequency</b>	From 45 to 65 Hz	

### Current inputs

<b>Current connection</b>	Only via transformer block TCDxM or TCDMM
<b>Rated current (In)</b>	60 A: TCD0M 100 A: TCD1M 200 A: TCD2M 400 A: TCD3M Up to 10000 A: TCDMM
<b>Minimum current (Imin)</b>	0.02 In
<b>Maximum current (Imax)</b>	1.2 In
<b>Start-up current (Ist)</b>	0.002 In
<b>Overload</b>	Continuous: 1.2 In For 500 ms: 2 In
<b>Input impedance</b>	< 0.2 VA

### Power supply

<b>Power supply</b>	Self powered, between L2 and L3
<b>Consumption</b>	2 W, ≤ 4 VA

### Measurements

<b>Method</b>	TRMS measurements of distorted waveforms
<b>Sampling</b>	1600 samples/s @50 Hz 1900 samples/s @60 Hz

### Available measurements

#### Three-phase loads

<b>Energy</b>	Active imported Reactive imported
<b>Current</b>	Phase 1 Phase 2 Phase 3

<b>Voltage</b>	Phase-phase Phase-neutral
<b>Active power</b>	Total load Average (dmd) Maximum dmd
<b>Apparent power</b>	Total load Average (dmd) Maximum dmd
<b>Reactive power</b>	Total load
<b>Power factor</b>	Total load

### Single-phase loads

<b>Energy</b>	Active imported
<b>Current</b>	Phase
<b>Voltage</b>	Phase-neutral
<b>Active power</b>	Total load Average (dmd) Maximum dmd
<b>Reactive power</b>	Phase
<b>Power factor</b>	Phase

### Measurement accuracy

#### EM271

Current	
From 0.05 In to I <sub>max</sub>	±(0.5% rdg)
From 0.02 In to 0.05 In	±(1.0% rdg)
Phase-phase voltage	
From (U <sub>n</sub> min -10%) to (U <sub>n</sub> max +10%)	±(0.5% rdg)
Phase-neutral voltage	
From (U <sub>n</sub> min -10%) to (U <sub>n</sub> max +10%)	±(1% rdg)
Active power (PF=1)	
From 0.05 In to I <sub>max</sub>	±(1% rdg)
From 0.02 In to 0.05 In	±(1.5% rdg)
Active power (PF=0.5L, 0.8C)	
From 0.1 In to I <sub>max</sub>	±(1% rdg)
From 0.05 In to 0.1 In	±(1.5% rdg)
Reactive power (sinφ=1)	
From 0.05 In to I <sub>max</sub>	±(2% rdg)
From 0.02 In to 0.05 In	±(2.5% rdg)




Current	
Reactive power ( $\sin\phi=0.5$ L or C)	
From 0.1 In to I <sub>max</sub>	±(2% rdg)
From 0.05 In to 0.1 In	±(2.5% rdg)
Active energy	
Equivalent to class 1 (EN62053-21)	
Reactive energy	
Equivalent to class 2 (EN62053-23)	
Frequency	
From 45 to 65 Hz	±1 Hz

## EM271+TCD0M, TCD1M, TCD2M or TCD3M

Current	
From 0.2 In to I <sub>max</sub>	±(0.75% rdg)
From 0.05 to 0.2 In	±(1% rdg)
From 0.02 In to 0.05 In	±(1.25% rdg)
Active power (PF=1)	
From 0.2 In to I <sub>max</sub>	±(1.25% rdg)
From 0.05 to 0.2 In	±(1.5% rdg)
From 0.02 In to 0.05 In	±(2% rdg)
Reactive power ( $\sin\phi=1$ )	
From 0.2 In to I <sub>max</sub>	±(2.25% rdg)
From 0.05 to 0.2 In	±(2.5% rdg)
From 0.02 In to 0.05 In	±(3% rdg)

 Display

Type	LCD
Refresh time	1 s
Description	2 rows: 1 <sup>st</sup> : 7 digits (7 mm) 2 <sup>nd</sup> : 3 digits (7 mm)
Variable readout	Electrical variables: 3 digits, min: 0.00, max: 999 Energy meters: 7 digits, min: 0.0, max: 9 999 999

 Digital outputs

Connection type	Detachable terminals
Maximum number of outputs	2

<b>Type</b>	Opto-mosfet
<b>Function</b>	Pulse output. Each output transmits the consumption of a single three-phase load or the total consumption of three single-phase loads.
<b>Features</b>	V <sub>ON</sub> : 2.5 V ac/dc, 70 mA max V <sub>OFF</sub> : 40 V ac/dc max
<b>Configuration parameters</b>	Pulse weight (from 0.01 to 9.99 kWh per pulse) Pulse duration (40 or 100 ms)
<b>Configuration mode</b>	Via keypad or UCS software

### RS485 port

<b>Protocol</b>	Modbus RTU
<b>Devices on the same bus</b>	Max 160 (1/5 unit load)
<b>Communication type</b>	Multidrop, bidirectional
<b>Connection type</b>	Detachable terminals, 2 wires, maximum distance 1000 m
<b>Configuration parameters</b>	Modbus address (from 1 to 247) Baud rate (9.6 / 19.2 / 38.4 kbps) Parity (None / Even)
<b>Configuration mode</b>	Via keypad or UCS software

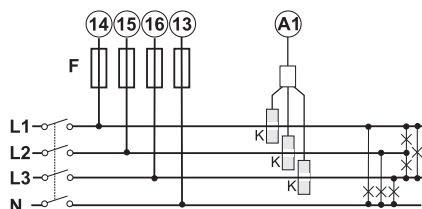
### Special functions

- Display of total loads connected in relation to energy consumption and power measurements (SUM function)
- Measurements independent from direction of current (Easy connection function)
- Resetting of active energy meters of single and total loads
- Resetting of maximum values within set active and apparent power interval
- Password protected settings menu

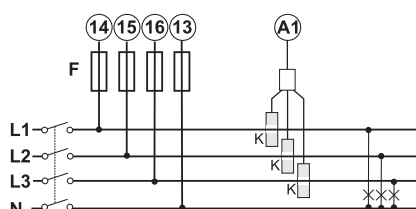
## Connection Diagrams

**Note:** for three-phase systems without neutral (3 wires) do not consider the connection to neutral N.

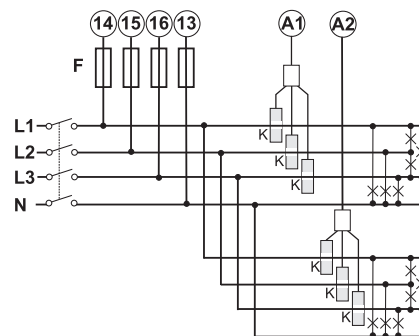
**Note:** fuses F of 315 mA, if required by local law.



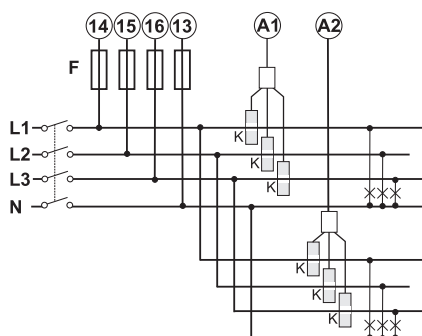
**Fig. 3** Three-phase system, one three-phase load.



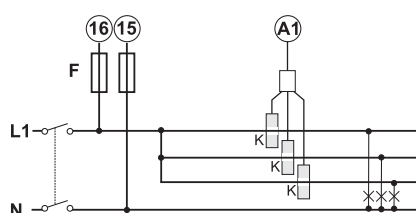
**Fig. 4** Three-phase system, three single-phase loads.



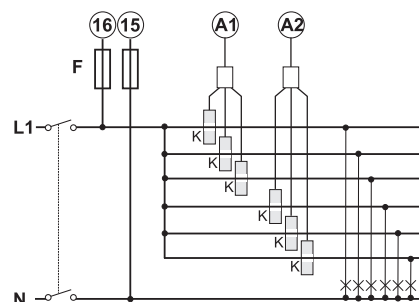
**Fig. 5** Three-phase system, two three-phase loads.



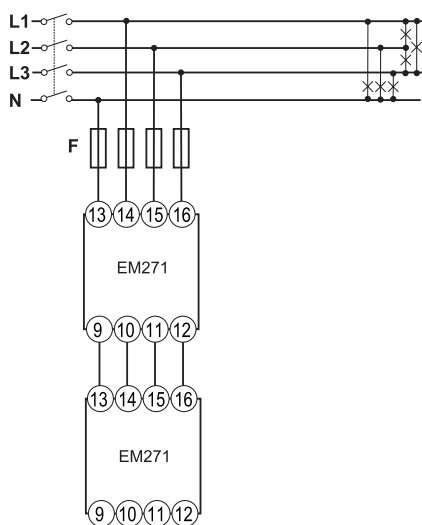
**Fig. 6** Three-phase system, six single-phase loads.



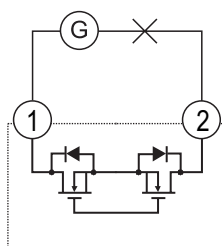
**Fig. 7** One-phase system, three single-phase loads.



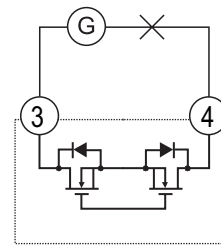
**Fig. 8** One-phase system, six single-phase loads.



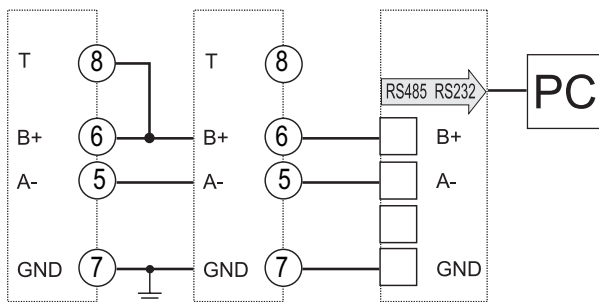
**Fig. 9** Example of connection of multiple EM271s in cascade.



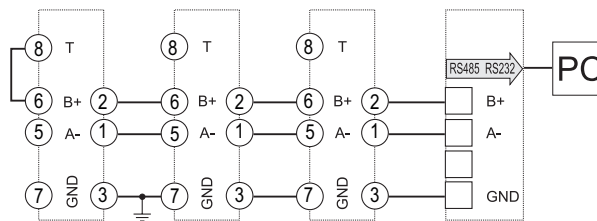
**Fig. 10** Pulse output 1.



**Fig. 11** Pulse output 2.



**Fig. 12** RS485 port.



**Fig. 13** Double RS485 port for daisy chain connection.

## References

### Order code

 EM271 72D MV  3X   (16 total characters)

Enter the code, replacing the symbol  with the selected option (e.g.: EM270 72D MV5 3X OS X).

Code	Options	Description
E	-	-
M	-	-
2	-	-
7	-	-
1	-	-
7	-	-
2	-	-
D	-	-
M	-	-
V	-	-
<input type="checkbox"/>	5	230 V L-N, 400 V L-L ac, connection via TCD_M or TCDMM
	6	120 V L-N, 230 V L-L ac, connection via TCD_M or TCDMM
3	-	-
X	-	-
<input type="checkbox"/>	OS	RS485 port and double digital output
	2S	Double RS485 port for daisy chain connection
<input type="checkbox"/>	X	Standard configuration
	N	"Naked" configuration. With respect to the standard configuration, the "naked" version does NOT include: detachable terminals for voltage connections, detachable terminals for daisy chain connection via RS485 port (only for option 2S).

### Accessories: order codes

Code	Options	Description
EM270WS V 1T <input type="checkbox"/>	Replacing the symbol <input type="checkbox"/> with the cable length. Lengths available: <b>30, 60, 90, 150, 200</b> cm.	Pre-wired cables for voltage connection (one terminal block).
EM270WS V 2T <input type="checkbox"/>	Replacing the symbol <input type="checkbox"/> with the cable length. Lengths available: <b>30, 60, 90, 150, 200</b> cm.	Pre-wired cables for voltage connection (two terminal blocks).
EM270WS S 2T <input type="checkbox"/>	Replacing the symbol <input type="checkbox"/> with the cable length. Lengths available: <b>60, 90, 120, 180, 230</b> cm.	Pre-wired cables for RS485 connection (two terminal blocks).
EM270WS T V	-	20 detachable terminal blocks for voltage connections.
EM270WS T C	-	20 plastic protection covers for voltage output.
EM270WS T S	-	20 detachable terminal blocks for daisy chain connection of RS485 port.
EM200-96 ADAPTER	-	Adapter to 96 x 96 panel mounting.

### Further reading

Information	Document	Where to find it
Instruction manual	Instruction manual - EM271	<a href="http://www.productselection.net">www.productselection.net</a>

### CARLO GAVAZZI compatible components

Purpose	Component name/code key	Notes
Current measurement accessories (mandatory)	TCD0M TCD1M TCD2M TCD3M	See next chapter
Configure analyzer via desktop application	UCS configuration software	Available for free download at: <a href="http://www.productselection.net">www.productselection.net</a>
Monitor data from several analyzers	VMU-C EM	See relevant datasheet

# TCD\_M family



TCD0M, TCD1M, TCD2M, TCD3M for EM271/ET272



## Description

3-channel split core current transformer block for power analyzer EM271/ET272. It manages primary current from 60 A to 400 A (depends on the model) and the value is read automatically by the EM271/ET272 to eliminate the need for configuration and calibration by the user. It is equipped with RJ-11 connectors for simple connection to the EM271/ET272.

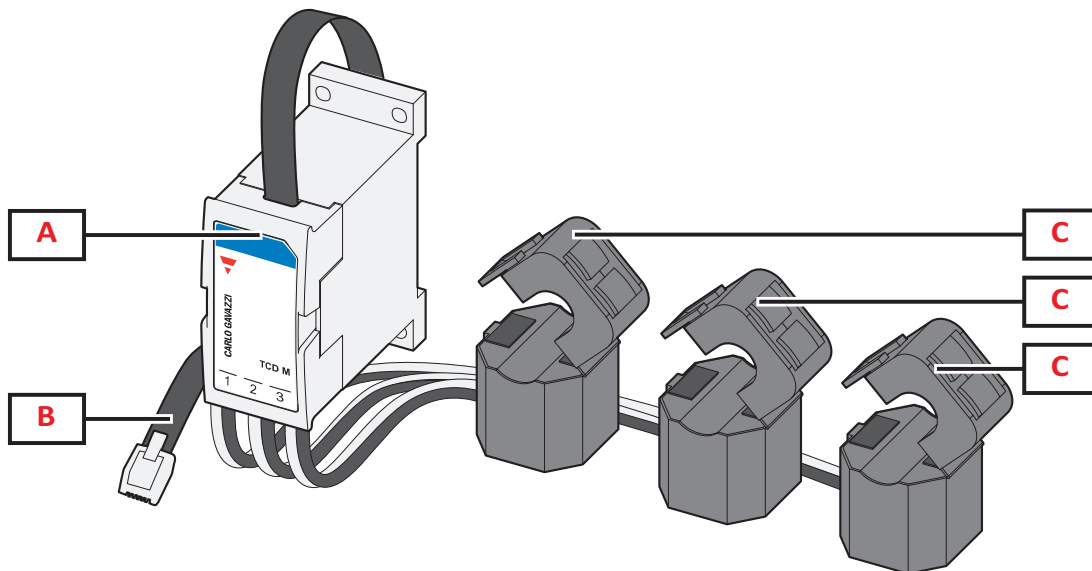
## Benefits

- 3 split core current sensors
- Primary current from 60 A to 400 A (depends on the model)
- Hole diameter from 9.6 mm to 20.5 mm (depends on the model)
- Connection to the EM271/ET272 with cable with RJ-11 connector
- DIN rail mounting
- Primary current self-detection

## Main functions

- Conversion of current for input to the power analyzer EM271/ET272.

## Structure



Area	Description
A	Integrator
B	Cable with RJ-11 connectors for connection to the EM271/ET272
C	Split core current sensors

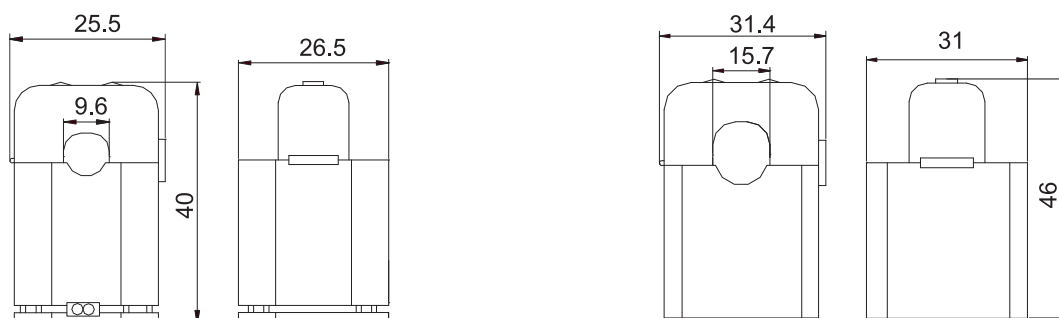
## Features

### General

<b>Material</b>	PC, PA66
<b>Protection degree</b>	IP20
<b>Terminals</b>	RJ-11 connector
<b>Overvoltage category</b>	Cat. III
<b>Pollution degree</b>	2
<b>Insulation</b>	60s 1500 V ac (RJ connectors to housing)
<b>Mounting</b>	DIN rail
<b>Weight (packaging included)</b>	TCD0M: 290 g TCD1M: 360 g TCD2M: 535 g TCD3M: 885 g



**Fig. 14 Integrator (mm)**



**Fig. 15 TCD0M (mm)**

**Fig. 16 TCD1M (mm)**



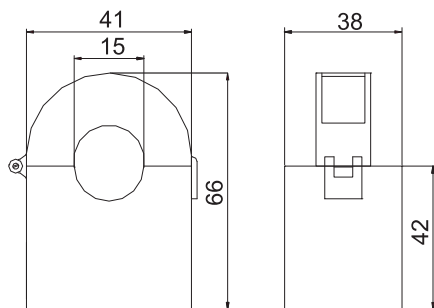


Fig. 17 TCD2M (mm)

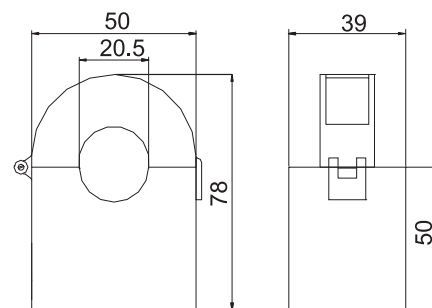


Fig. 18 TCD3M (mm)

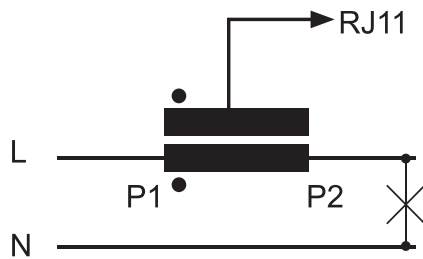
**Environmental specifications**

<b>Operating temperature</b>	From -25 to +55 °C/from -13 to +131 °F
<b>Storage temperature</b>	From -30 to +70 °C/from -22 to 158 °F

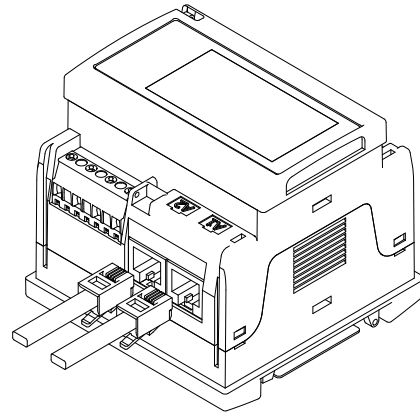
**Electrical specifications**

<b>Primary current (In)</b>	60 A: TCD0M 100 A: TCD1M 200 A: TCD2M 400 A: TCD3M
<b>Maximum current (continuous)</b>	1.2 In
<b>Maximum system voltage</b>	0.72 kV ac
<b>Frequency</b>	From 45 to 65 Hz
<b>Accuracy</b>	0.5%
<b>Phase error</b>	≤4°

## Connection Diagrams



**Fig. 19** Current connection



**Fig. 20** RJ11 connections

## References

 TCD   80 CM X

Enter the code, replacing the symbol  with the selected option (e.g.: TCD 0 M 60 80 CM X).

Code	Options	Description
T	-	-
C	-	-
D	-	-
<input type="checkbox"/>	0M60	60 A Primary current
	1M100	100 A Primary current
	2M200	200 A Primary current
	3M400	400 A Primary current
8	-	-
0	-	-
C	-	-
M	-	-
X	-	-

### Further reading

Information	Document	Where to find it
Instruction manual		<a href="http://www.productselection.net">www.productselection.net</a>

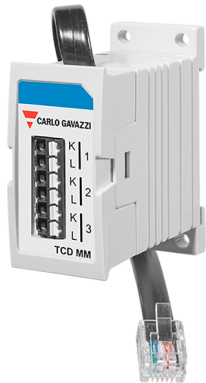
### CARLO GAVAZZI compatible components

Purpose	Component name/code key	Notes
Measure and display consumption of connected circuits	EM271	-
Measure and display consumption of connected loads	ET272	-

# TCDMM



## 333 mV 3-phase adapter for EM271 / ET272



### Benefits

- Suitable for 3 current sensors (0.333 V)
- Primary current up to 10000 A
- Connection to the EM271/ET272 with cable with RJ-11 connector
- DIN rail mounting
- Screwless terminals

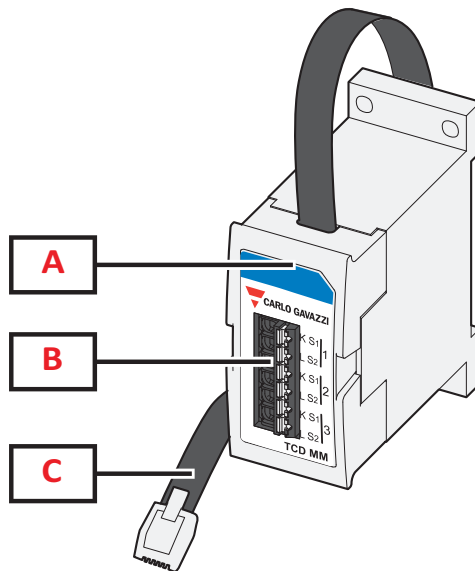
### Main functions

- Conversion of current for input to the power analyzer EM271/ET272.

### Description

3-phase adapter for power analyzer EM271/ET272.  
This manages 3 current sensor (0.333 V output) and the primary value is set by the user via keypad or via software.  
It is equipped with RJ-11 connectors for simple connection to the EM271/ET272.

### Structure



Area	Description
A	Integrator
B	Push-in wire connector
C	Cable with RJ-11 connectors for connection to the EM271/ET272

## Features

### General

<b>Material</b>	PC, PA66
<b>Protection degree</b>	IP20
<b>Terminals</b>	RJ-11 connector
<b>Overvoltage category</b>	Cat. III
<b>Pollution degree</b>	2
<b>Mounting</b>	DIN rail
<b>Weight (packaging included)</b>	80 g

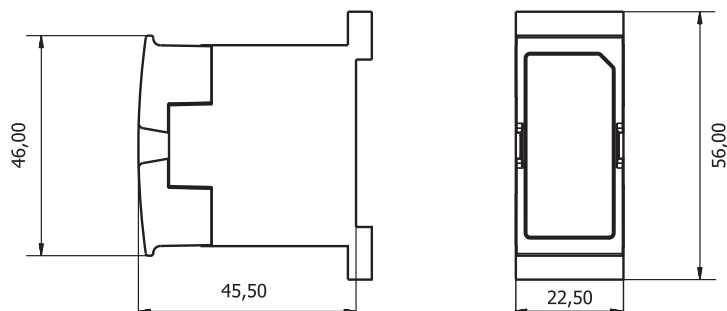


Fig. 21 (mm)

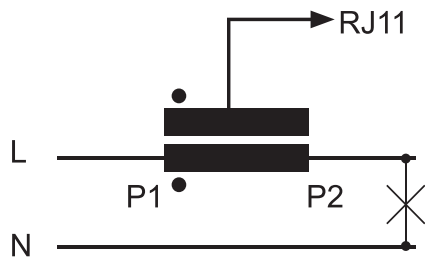
### Environmental specifications

<b>Operating temperature</b>	From -25 to +55 °C/from -13 to +131 °F
<b>Storage temperature</b>	From -30 to +70 °C/from -22 to 158 °F

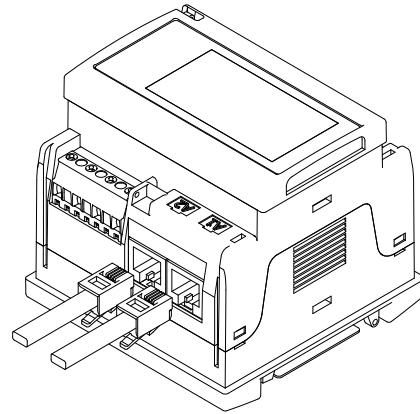
### Electrical specifications

<b>Primary current (In)</b>	3x 0.333V
<b>Maximum current (continuous)</b>	1.2 In
<b>Maximum system voltage</b>	0.72 kV ac
<b>Frequency</b>	From 45 to 65 Hz

## Connection Diagrams



**Fig. 22** Current connection



**Fig. 23** RJ11 connections

## References

### Order code

 **TCDMM XXX80CM X**

### Further reading

Information	Document	Where to find it
Instruction manual		<a href="http://www.productselection.net">www.productselection.net</a>

### CARLO GAVAZZI compatible components

Purpose	Component name/code key	Notes
Measure and display consumption of connected loads	EM271	-
Current sensors 0.333 V secondary output	CTV1X, CTV2X, CTV3X, CTV4X, CTV8X	-
Measure and display consumption of connected circuits	ET272	-



COPYRIGHT ©2022

Content subject to change. Download the PDF: [www.gavazziautomation.com](http://www.gavazziautomation.com)