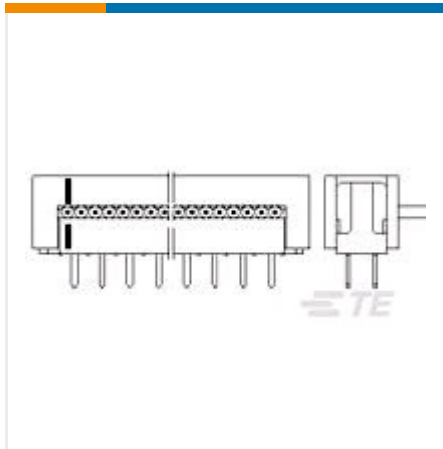




**CONNECTORS**

**RIBBON CABLE CONNECTORS**



✓ Active

TE CONNECTIVITY (TE)

## AMP-LATCH PRE-ASSY DIL WITHO

AMP-LATCH | AMP-LATCH - NOVO

3-216093-4

TE Internal Number: 3-216093-4

EU RoHS Compliant

EU ELV Compliant

**Number of Positions** 34

**Connector Style** Plug

**Connector & Contact Terminates To** Printed Circuit Board

↓ **PRODUCT DRAWING**  
English

↓ **3D PDF**

### DOCUMENTATION

Product Drawings

#### **AMP LATCH 2.54 DIL-PLUG Connector Without Retention Legs**

PDF (TIFF AVAILABLE)

**English**

CAD Files

#### **Customer View Model**

2D\_DXF.ZIP

**English**

#### **Customer View Model**

3D\_IGS.ZIP

**English**

#### **3D PDF**

PDF

English

### Customer View Model

3D\_STP.ZIP

English

---

Product Specifications

Product Specification

### No Title

PDF

English

### No Title

TIF

English

---

Product Environmental Compliance

TE Material Declaration

### MD\_3-216093-4\_092220132328\_dmtec

PDF

English

---

## FEATURES



Please review product documents or [contact us](#) for the latest agency approval information.

Please Note: Use the Product Drawing for all design activity.

---

Product Type Features

**Connector Style** Plug

**Connector & Contact Terminates To** Printed Circuit Board

**Product Type** Connector

---

Configuration Features

**Number of Positions** 34

---

Contact Features

**Contact Mating Area Plating Material** Tin

---

Housing Features

**Housing Color** Gray

---

## PRODUCT COMPLIANCE



Statement of Compliance

### Statement of Compliance

PDF

