

Flex-Loc Fasteners
The LOW COST resilient attachment

FABREEKA[®]
VIBRATION & SHOCK CONTROL



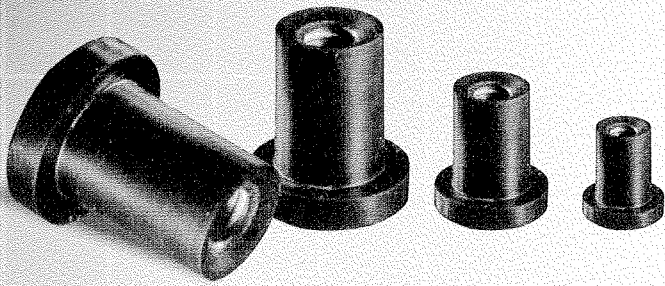
Flex-Loc Fasteners

Fabreeka International Inc, specialists in vibration and shock control technology are introducing a new LOW COST resilient attachment. This low cost attachment will be known as FLEX-LOC FASTENER.

- Anti-vibration fasteners which can be used as a mount, seal, anchor, bushing or in a blind hole.
- Manufactured in neoprene which resists oil, ozone, most acids and detergents.
- Isolates structural frequencies as low as 150Hz and reduces up to 80% of vibration energy.
- -30°C to + 80°C operating.

FLEX-LOC FASTENER
Provides a water-tight seal for sheet metal work.

FLEX-LOC FASTENER
When the screw head is turned and tightened, the FLEX-LOC is compressed against the front and the side of the attached parts.



Flex-Loc Fasteners

FLEX-LOC attachments provide isolation of structural resonant frequencies as low as 150Hz and give up 80% reduction of vibration energy transmitted from normal structural resonances.

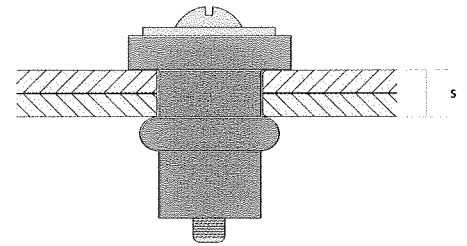
Features and Benefits

Chloroprene elastomer resists oil, ozone, most acids and detergents.
The operational temperature range is -30°C to + 80°C.

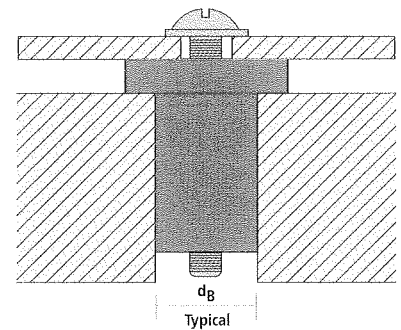
FLEX-LOC attachments are used with standard screws (M3-M8) and require no special tools to insert and install. When the screw head is turned and tightened, the FLEX-LOC is compressed against the front and the side of the attached parts.

FLEX-LOC is equally useful, easy to install and secure in applications containing panels and flanges or in deep blind holes in solid walls and structures.

Typical Installation



(panel) compressed



(blind hole) before compression

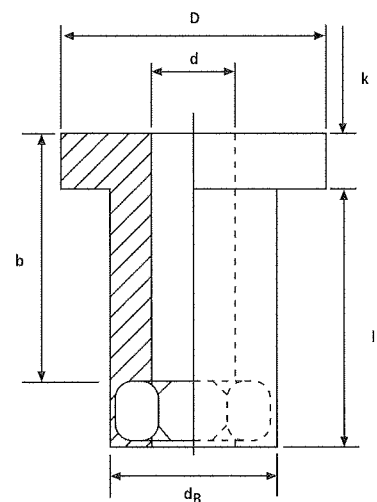
Dimensions (mm)

TYPE NO.	THREAD	D	d _B	d	J	k	b
Q-3	M3	9	6.50	3.40	8.90	2.90	11.80
Q-4	M4	12	8.80	4.50	11.20	3.20	14.40
Q-5	M5	15	9.75	5.40	14.10	4.00	18.10
Q-6	M6	18	12.20	6.30	17.05	4.40	21.45
Q-8	M8	24	16.00	8.40	21.85	5.15	27.00

Technical Data

TYPE NO.	CLEARANCE HOLE DIAM (mm) d _B	PLATE THICKNESS (mm) S III	TORQUE RANGE (Nm)		STATIC LOAD (kg)		
			I	II	I COMP & LOAD	COMP	II SHEAR
Q-3	7.2 - 7.5	0.6 - 2.5	0.4 - 0.5	0.3 - 0.4	1.0	5	2.5
Q-4	9.3 - 9.6	0.8 - 3.3	0.4 - 0.6	0.4 - 0.5	1.0	7	3.5
Q-5	10.2 - 10.5	0.8 - 4.3	0.6 - 0.10	0.5 - 0.6	1.5	10	5.0
Q-6	12.7 - 13.0	1.5 - 5.0	0.23 - 0.35	0.7 - 0.9	3.0	14	7.0
Q-8	16.5 - 16.8	1.5 - 6.5	0.30 - 0.40	0.16 - 0.18	5.0	28	14.0

Dimensions



World Headquarters
Fabreeka International Inc.
PO Box 210
1023 Turnpike Street
Stoughton, MA 02072
Tel: 1 (800) 322-7352
Tel: 1 (781) 341-3655
Fax: 1 (781) 341-3983
E-mail: info@fabreeka.com
www.fabreeka.com

Canada
Fabreeka Canada Ltd
2907 Portland Drive
Oakville
ON L6H 5S4
Tel: (905) 829-4222
Fax: (905) 829-4255
E-mail: fabcanada@fabreeka.com

Holland
Fabreeka BV Holland
Molenwerf 12
Postbus 133
1910 AC Uitgeest
Tel: 31 - (0)2513 20305
Fax: 31 - (0)2513 12830
E-mail: info@fabreeka.nl

Germany
Fabreeka GMBH Deutschland
Hessenring 13
Postfach 11 03 (D-64570)
D-64572 Büttelborn
Tel: 49 - (0)6152-9597-0
Fax: 49 - (0)6152-9597-40
E-mail: info@fabreeka.gg.uunet.de

England
Fabreeka International Inc.
8 - 12 Jubilee Way
Thackley, Old Road, Shipley
West Yorkshire BD18 1QG
Tel: 44 - (0)1274 531333
Fax: 44 - (0)1274 531717
E-mail: sales@fabreeka-uk.com