



SILICON LABS

# TS9004 Demo Board

## Low-Power Single/Dual-Supply Quad Comparator with Reference

### FEATURES

- Single or Dual Power Supplies:  
Single: +2.5V to +11V  
Dual: ±1.25V to ±5.5V
- Internal 1.182V ±0.75% Reference
- Fully Assembled and Tested
- Push-pull TTL/CMOS-Compatible Outputs
- 2in x 3in 2-layer circuit board

### DESCRIPTION

The demo board for the TS9004 is a completely assembled and tested circuit board that can be used for evaluating the TS9004. The TS9004 joins the TS9002 and TS9001-1/2 analog comparators in the “NanoWatt Analog™” high performance analog integrated circuits portfolio. The TS9004 can operate from single +2.5V to +11V supplies or from ±1.25V to ±5.5V dual supplies.

The TS9004 is fully specified over the -40°C to +85°C temperature range and is available in a 16-pin narrow SOIC package.

Product data sheets and additional documentation can be found at [www.silabs.com](http://www.silabs.com).

DESIGNATION	QTY	DESCRIPTION
C2	1	0.1µF ± 10% capacitors (0805)
R1, R4	1	40.2kΩ ± 1% resistor (0805)
R2, R3	1	26.1kΩ ± 1% resistor (0805)
R5, R6	1	2MΩ ± 1% resistor (0805)
U1	1	TS9004 Comparator
INA-, INB+, OUTA, OUTB, VDD, REF, GND (6)	12	Test points

Table 1. Component List

### ORDERING INFORMATION

Order Number	Description
TS9004DB	Demo Board

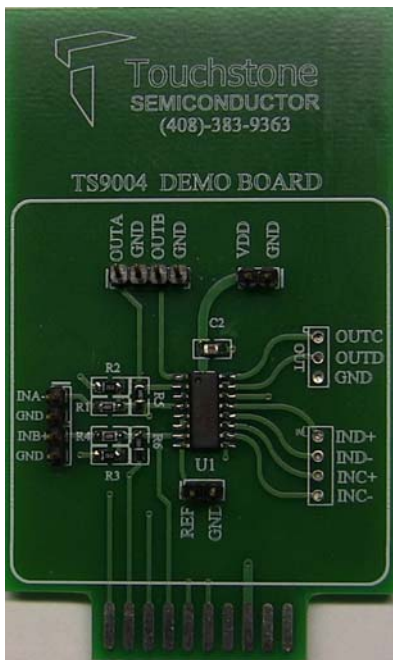


Figure 1. TS9004 Evaluation Board (Top View)

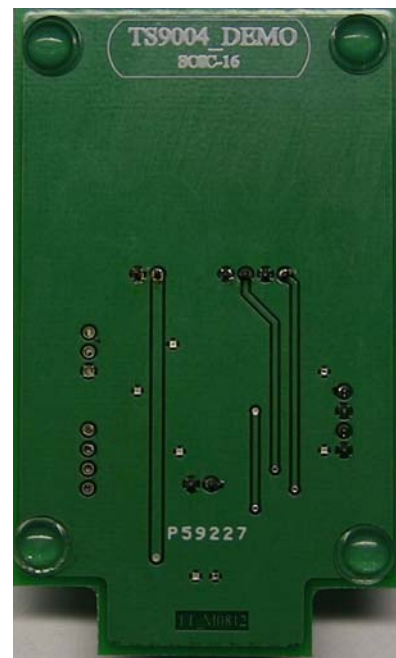


Figure 2. TS9004 Evaluation Board (Bottom View)

## DESCRIPTION

The demo board provides a configuration where only three resistors are required to set the hysteresis band,  $V_{HB}$ , as shown in Figure 3. Adding comparator hysteresis creates two trip points:  $V_{THR}$  (for the rising input voltage) and  $V_{THF}$  (for the falling input voltage). The hysteresis band ( $V_{HB}$ ) is defined as the voltage difference between the two trip points.

To design the circuit for a desired hysteresis band, refer to page 10 of the TS9004 product datasheet. To verify the trip voltages and hysteresis band using the standard resistance values, use the following equations:

$$V_{THR} = V_{REF} \times R1 \times \left( \frac{1}{R4} + \frac{1}{R3} + \frac{1}{R6} \right)$$

$$V_{THF} = V_{THR} - \frac{(R4 \times VDD)}{R6}$$

$$V_{HB} = V_{THR} - V_{THF}$$

The TS9004 demo board provides  $R1 = R4 = 40.2k\Omega$ ,  $R2 = R3 = 26.1k\Omega$ , and  $R5 = R6 = 2M\Omega$ . This sets the hysteresis band to approximately  $V_{HB} = 100mV$  with  $V_{THR}$  and  $V_{THF}$  set to approximately 3.026V and 2.903V, respectively.

## QUICK START PROCEDURES

### Required Equipment

- TS9004DB demo board
- A DC Power Supply, an HP Model HP6624A or equivalent
- A Precision DC Source/Calibrator, a Krohn-Hite Model 526 or equivalent
- A Digital Voltmeter
- A Digital Ammeter
- Oscilloscope Model Agilent DSO1014A or equivalent ( AC input only)
- 1M $\Omega$  oscilloscope probe ( AC input only)
- Function Generator ( AC input only)

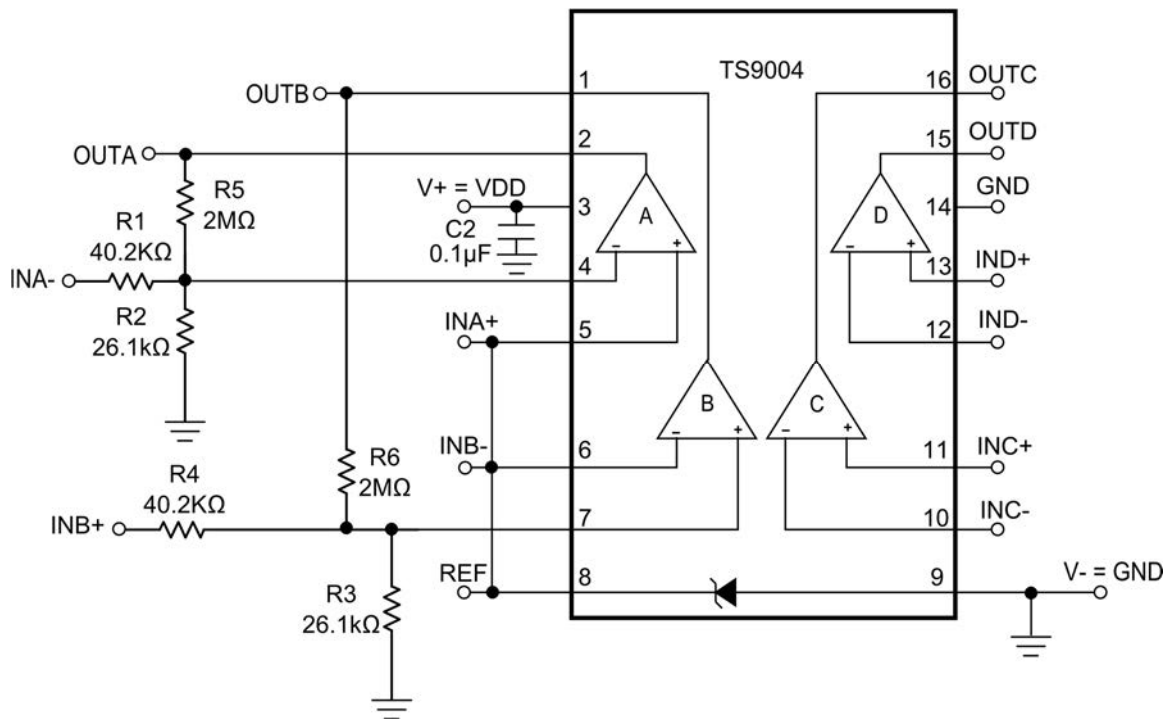
To evaluate the TS9004 comparators, the following steps are to be performed:

- 1) Before connecting the DC power supply to the demo board power test points, turn on the power supply and set the DC voltage to 5V and then turn it off.
- 2) Set the DC source/calibrator voltage to 2.8V and turn it off.
- 3) Connect the positive terminal of the DC power supply to the  $V_{DD}$  jumper on the demo board and the negative terminal to the positive terminal of the ammeter. Then, connect the negative terminal of the ammeter to a GND jumper on the demo board.
- 4) Connect the positive terminal of the DC source/calibrator to the INB+ jumper on the demo board and the negative terminal to a GND jumper on the demo board.
- 5) Connect the positive terminal of the DC voltmeter to the OUTB jumper on the demo board and the negative terminal to a GND jumper on the demo board.
- 6) Turn on the power supply and the DC source/calibrator and check that the power supply current is approximately 6 $\mu$ A, including any currents through external resistors.
- 7) Slowly increase the DC source/calibrator voltage until the output of the comparator switches to approximately 5V. Refer to the voltmeter. The output should switch from a low state to a high state at approximately 3.026V. The power supply current is now approximately 8 $\mu$ A.
- 8) Now, slowly decrease the DC source/calibrator voltage until the output of the comparator drops to approximately 0V. Refer to the voltmeter. The output should switch from a high state to a low state at approximately 2.903V. The power supply current is approximately 6 $\mu$ A.
- 9) To measure the reference voltage, connect the positive terminal of a voltmeter to the REF jumper on the demo board and the negative terminal to a GND jumper on the demo board.

- 10) If testing with an AC input signal is desired, use a function generator and set the offset voltage, amplitude, and frequency to 3V, 400mV, and 1kHz, respectively. Connect the positive terminal of the function generator to the INB+ jumper and the negative terminal to the GND jumper on the board. Then, use the oscilloscope and the oscilloscope probe to monitor the output OUTB.
- 11) If the evaluation of comparator A is desired,

follow the previous steps. However, note that the output signal OUTA is configured to be the inverted version of comparator B's output OUTB.

- 12) Evaluation of comparator C and D can be performed on the TS9004 demo board. Access to the input and output of comparator C and D is available as shown in Figure 3.



**Figure 3. TS9004 Demo Board Circuit**

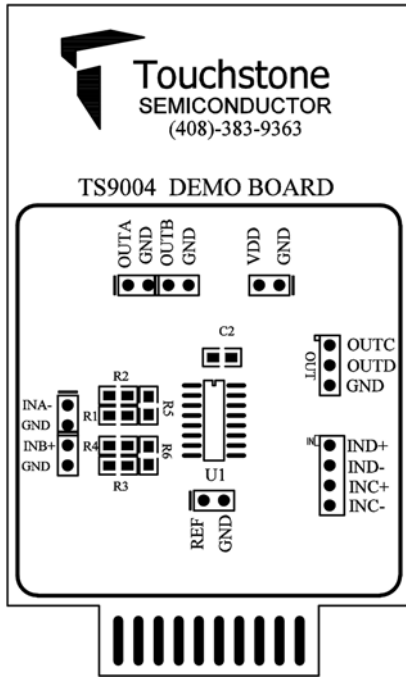


Figure 4. Top Layer Component View

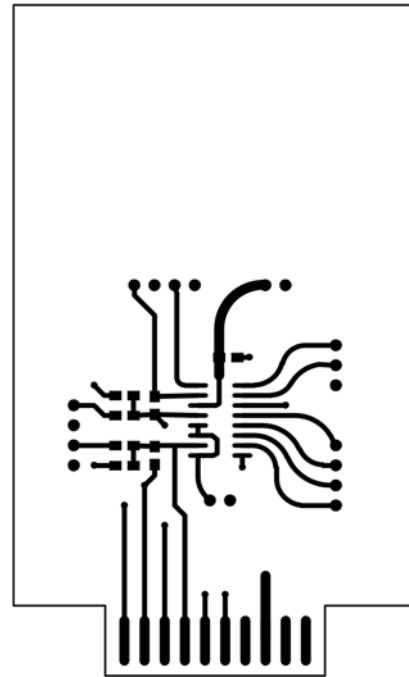


Figure 5. Top Layer Trace View

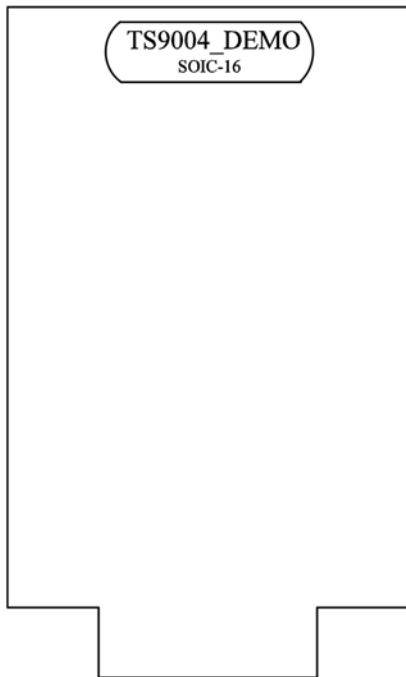


Figure 6. Bottom Layer #1

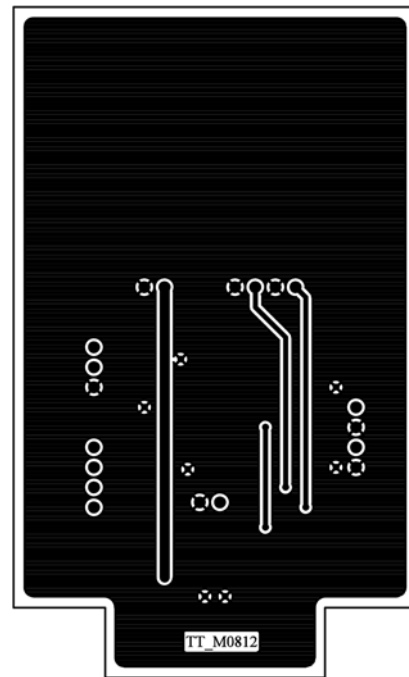


Figure 7. Bottom Layer #2



Smart.  
Connected.  
Energy-Friendly



**Products**  
[www.silabs.com/products](http://www.silabs.com/products)



**Quality**  
[www.silabs.com/quality](http://www.silabs.com/quality)



**Support and Community**  
[community.silabs.com](http://community.silabs.com)

#### Disclaimer

Silicon Laboratories intends to provide customers with the latest, accurate, and in-depth documentation of all peripherals and modules available for system and software implementers using or intending to use the Silicon Laboratories products. Characterization data, available modules and peripherals, memory sizes and memory addresses refer to each specific device, and "Typical" parameters provided can and do vary in different applications. Application examples described herein are for illustrative purposes only. Silicon Laboratories reserves the right to make changes without further notice and limitation to product information, specifications, and descriptions herein, and does not give warranties as to the accuracy or completeness of the included information. Silicon Laboratories shall have no liability for the consequences of use of the information supplied herein. This document does not imply or express copyright licenses granted hereunder to design or fabricate any integrated circuits. The products must not be used within any Life Support System without the specific written consent of Silicon Laboratories. A "Life Support System" is any product or system intended to support or sustain life and/or health, which, if it fails, can be reasonably expected to result in significant personal injury or death. Silicon Laboratories products are generally not intended for military applications. Silicon Laboratories products shall under no circumstances be used in weapons of mass destruction including (but not limited to) nuclear, biological or chemical weapons, or missiles capable of delivering such weapons.

#### Trademark Information

Silicon Laboratories Inc., Silicon Laboratories, Silicon Labs, SiLabs and the Silicon Labs logo, CMEMS®, EFM, EFM32, EFR, Energy Micro, Energy Micro logo and combinations thereof, "the world's most energy friendly microcontrollers", Ember®, EZLink®, EZMac®, EZRadio®, EZRadioPRO®, DSPLL®, ISOmodem®, Precision32®, ProSLIC®, SiPHY®, USBXpress® and others are trademarks or registered trademarks of Silicon Laboratories Inc. ARM, CORTEX, Cortex-M3 and THUMB are trademarks or registered trademarks of ARM Holdings. Keil is a registered trademark of ARM Limited. All other products or brand names mentioned herein are trademarks of their respective holders.



Silicon Laboratories Inc.  
400 West Cesar Chavez  
Austin, TX 78701  
USA

<http://www.silabs.com>