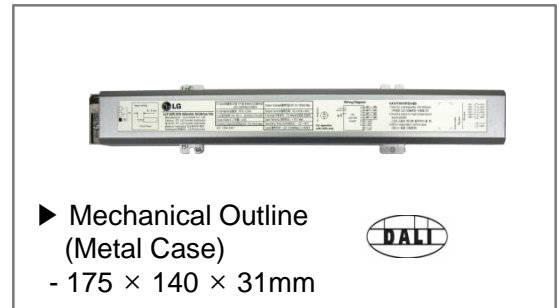


PIFC-L202A Outdoor 46W LED Driver

23V - 25V / 0.455A X 4CH / 46W

Features

- ▶ Dimmable Method: DALI Dimming
- ▶ Constant Current Control
- ▶ Active Power Factor Correction
- ▶ Protection : OVP, SCP and OTP
- ▶ UL 8750, UL 1310 Output Safety Certifications Approved
- ▶ RoHS Compliant



Critical Specifications

Output (W)	Output (Vdc)	Output (A)			Input (Vac)	Dim.	PF	Efficiency	Dimension (LxWxH mm)
		Min	Typ	Max					
46	23-25	1.69	1.82	1.95	100-240	DALI	>0.9	Min. 83	175 × 140 × 31mm

Input Specifications

Parameter	Min.	Typ.	Max.	Unit	Remark
Input Voltage (Nominal)	100	-	240	Vac	
Input Voltage (Performance)	90	-	264	Vac	
Input Current	0.17	-	0.6	A	@ AC 100V, 100% Load
Input Wattage	46	50	54	W	
Standby Power	-	0.5	1	W	
Nominal Input Frequency	47	50/60	63	Hz	
Efficiency	83	-	-	%	@ AC 100-240V, 100% Load
Power Factor	0.9	-	-	-	@ AC 100-240V, 100% Load
THD	-	-	20	%	@ AC 100-240V, 100% Load
Inrush Current	-	-	-	Apk	

※ Note : All parameters NOT specially mentioned are measured at rated load and 25°C of ambient temperature.

Datasheet is subject to change without notice.

Output Specifications

Parameter	Min	Typ	Max	Unit	Remarks
Output Channel	-	4	-	ea	
Output Voltage	23.1	24.2	25.27	V	
Output Current	-	0.455	-	A	Fixed Current (4CH)
Output Dimming Current Range	10	-	100	%	0-10V Dimming
Output Current Tolerance	-7	-	7	%	@ 100% Dimming
Output Ripple Current	-	-	20	%	= Peak to Peak / rms @ 100% Dimming
Output Power	39.1	44	49.2	W	
Start-up Time	-	-	500	ms	

Protection Functions

Parameter	Min.	Typ.	Max.	Unit	Remark
Output Over Voltage Protection	-	-	60	V	Auto-recovery or Latch
Output Short Circuit Protection	-	-	-	A	Auto-recovery or Latch
Output Over Temp. Protection	90	-	105	°C	@ Tc

Environmental Specifications

Parameter		Min	Typ	Max	Unit	Remarks
Temperature	Operation	-20	-	50	°C	@ Ta
		-	-	75	°C	@ Tc
	Storage	-30	-	85	°C	@ Ta
Humidity	Operation	10	-	90	%	-
	Storage	-	-	95	%	-
Lifetime		-	-	-	KHrs	-

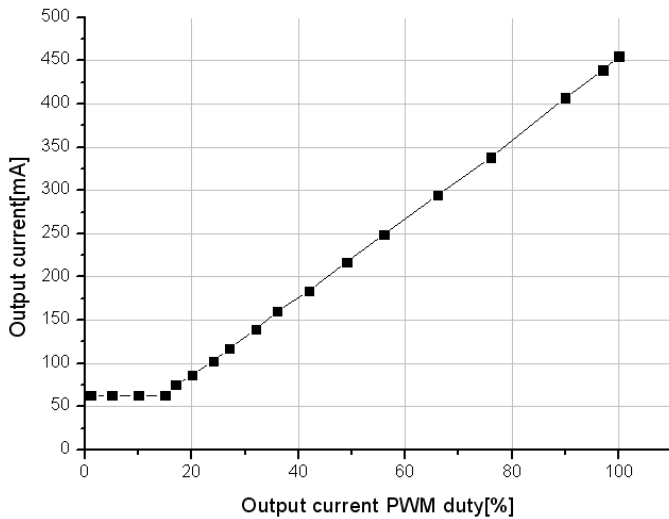
※ Note : All parameters NOT specially mentioned are measured at rated load and 25°C of ambient temperature.

Dimming Control (0-10V Dimming)

1. PWM Condition

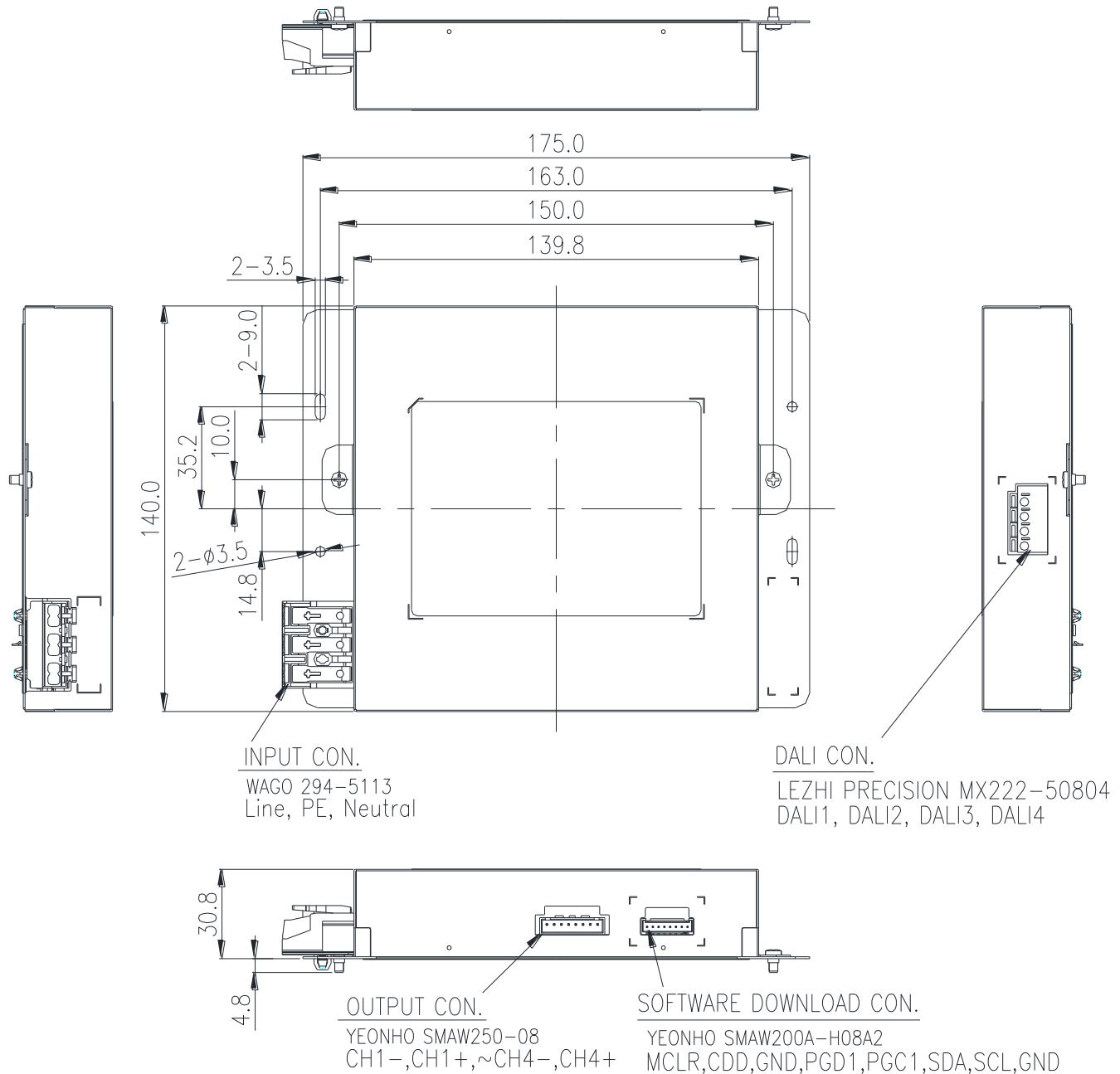
PWM Condition					
Article	Min	Typ	Max		Remark
Dimming Frequency	-	300	-	Hz	No Flicker & Shimmer
Dimming	10		100	%	LGIT recommend range

2. Dimming Curve



Mechanical Outline

1. Case Dimension



Mechanical Outline

2. Connector Description

2.1 AC connector

Item	No	Name
On CASE	1	Line
	2	PE
	3	Neutral

Item	No	Name
On PCB (CN1)	1	Line
	2	Neutral

2.2 Output connect (CN41)

Item	No	Name
Output connect (CN41)	1	CH1 -
	2	CH1+
	3	CH2 -
	4	CH2+
	5	CH3 -
	6	CH4+
	7	CH4 -
	8	CH4+

2.3 DALI connect (CN42)

Item	No	Name
Output connect (CN41)	1	DALI 1
	2	DALI 1
	3	DALI 2
	4	DALI 2

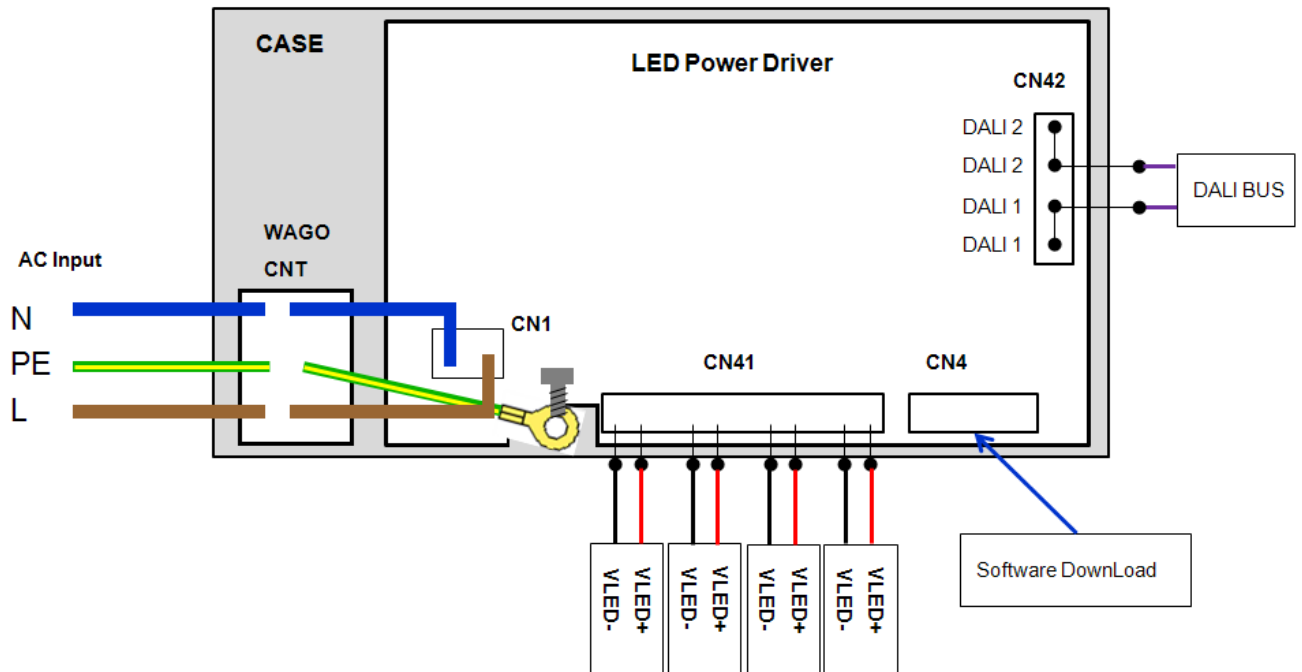
Mechanical Outline

2. Connector Description

2.4 Software download connect (CN4)

Item	No	Name
Output connect (CN41)	1	MCLR
	2	VDD_3.3V
	3	GND
	4	PGD1/EMUD1
	5	PGC1/EMUC1
	6	SDA
	7	SCL
	8	GND

2.5 Connection Map



Datasheet Revision History

Change Date	Rev. No.	Description of Change	Remark
2014/09/26	1.0	- Initial Release	