

# SPECIFICATION

## FOR APPRONAL

Customer : \_\_\_\_\_

Product Name : Horn speaker \_\_\_\_\_

Model Name : VSH-86x86R4F14P15 \_\_\_\_\_

Drawing No. : VS20230310012 \_\_\_\_\_

### Signature of Voice

Approved by	Checkde by	Issued by	Date



Address: No 96 Mogao Dongqian Lake Industial Area ningbo, China,  
Tel: 0086-0574-87773030; Fax: 0086-0574-87471600 P.C. 315121  
<http://www.nbvoice.com> Email: [sales@nbvoice.com](mailto:sales@nbvoice.com)



# Specification for horn speaker

Page

3/7

Revision No.

1.0

Model No. : VSH-86x86R4F14P15

Drawing No.

VS20230310012

## 2. Scope

This specification is applied to the siren used for sounder in alarm systems, Please contact us when using this product for any other applications than described in the above.

## 3. General Characteristics

- 2.1 Out-Diameter : 86x86 mm  
2.2 Height : 45 mm  
2.3 Weight : 310 ±10g  
2.4 Operating Temperature range:  
-20~+60 °C without loss of function  
2.5 Store Temperature range:  
-30~+70 °C without loss of function

## 4. Electrical and Acoustic Characteristics.

Test condition : 15 ~ 35 °C, 25% ~ 85% RH, 860~1060 mbar

No	Items	Specification
1	Impedance	4 Ω±20% at 2kHz
2	Min Sound Pressure Level	98 dB at 1M/1W at 1.2K-3kHz AVG ,
3	Resonance Frequency	1.4 kHz±20%
4	Frequency Range	1000-4000Hz
5	Input Power	Rated 15W / Max. 20W
6	Magnet size	Φ60x32x10 mm(DiaxdiaxH)
7	Case Material	ABS
8	Color	Gray
9	Buzz and Rattle	Should not be audible buzzes,rattles when the 10.95V sine wave signal swept at frequency range.
10	Voice Coil dimension	Φ 25.4 mm(Dia.)

# Specification for horn speaker

Page

4/7

Revision No.

1.0

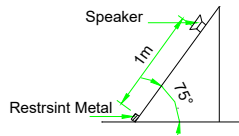
Model No. : VSH-86x86R4F14P15

Drawing No.

VS20230310012

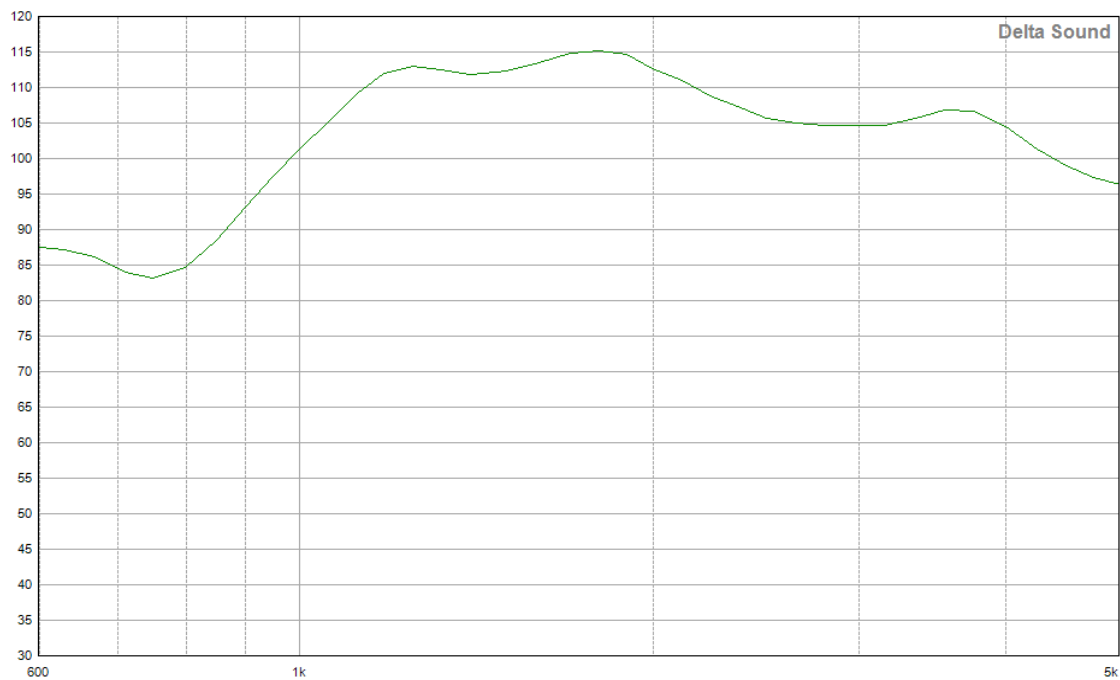
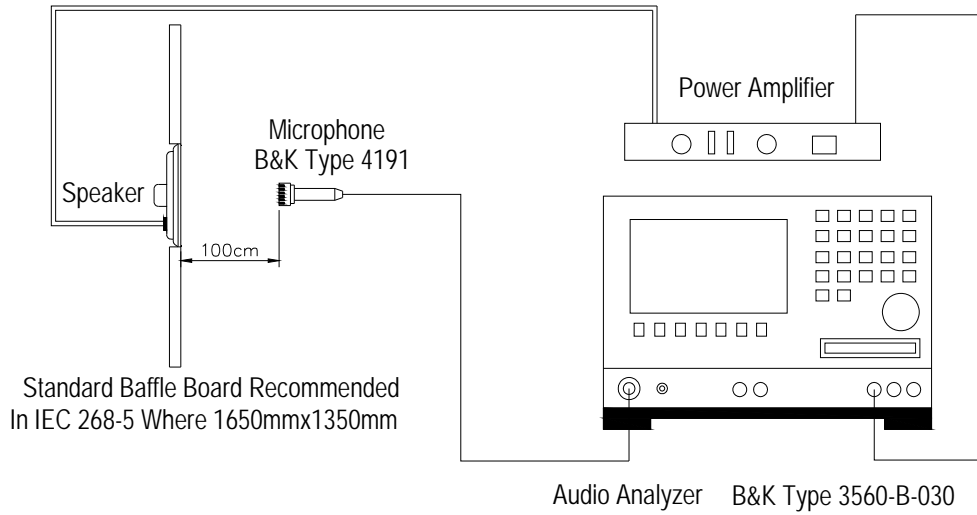
## 5. Reliability Test

After test(1~6item), the Electronic Siren S.P.L . difference shall be within  $\pm 10\text{dB}$ , and the appearance not exist any change to be harmful to normal operation(e.g.cracks,rusts,damages and especially distortion).

No	Items	Specification
1	High Temperature Test	After being woked in a chamber with $+60\pm 2\text{ }^\circ\text{C}$ for 2h and then being placed in natural condition for 2h, sounder shall be measured.
2	Low Temperature Test	First being worked in a chamber with $-20\pm 2\text{ }^\circ\text{C}$ for 2h and then being placed in a chamber with $-20\pm 2\text{ }^\circ\text{C}$ for 16h, finally being placed in natural condtion for 2h, sounder shall be measured.
3	Humidity Test	After being placed in a chamber with 90 to 95%R.H. at $+40\pm 2\text{ }^\circ\text{C}$ for 2 h and then being placed in natural condition for 2h , sounder shall be measured.
4	Shock Test	Under acceleration of peak $100\text{m/s}^2(10\text{g})$ & half sine wave pulse (pulse time is 16ms)condition.run into product 1000 times continuously.
5	Vibration Test	Horn shall be measured after being applied vibration of amplitude of 1.5mm with 10to 30Hz band of vibration frequency to each of 3 perpendicular directions for 2 hour.
6	Drop Test	<p>A speaker is dropped from 1m in length on <math>75^\circ</math> inclination and a magnetic circuit of speaker is hitted to the restraint metal.</p> <p>After the test, magnetic circuit should not drop out and speakr should be measured.</p> 
7	Load test	After being applied loading white noise with input power 15W(10.95Vrms.) for 48 hours, then placed in natural condition for 1 hour, speaker shall be measured.

## 6. Measurement Block Diagram & Response curve

### Standard test condition of speaker



# Specification for horn speaker

Page

6/7

Revision No.

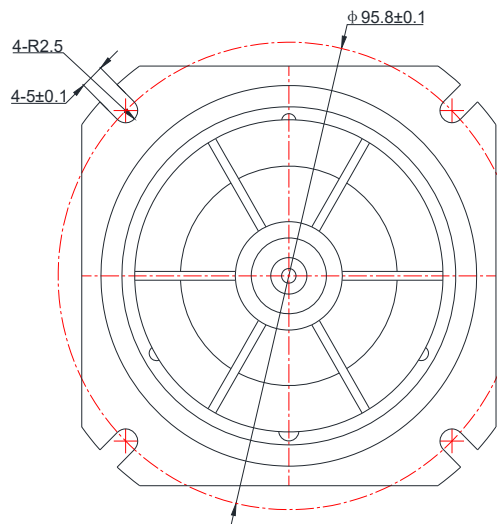
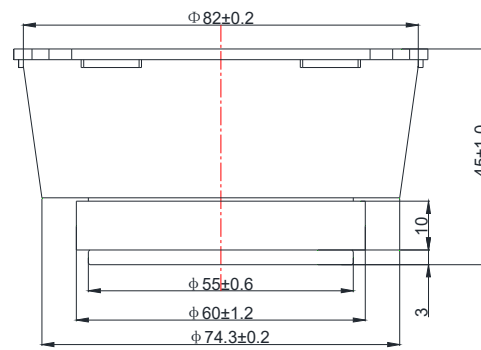
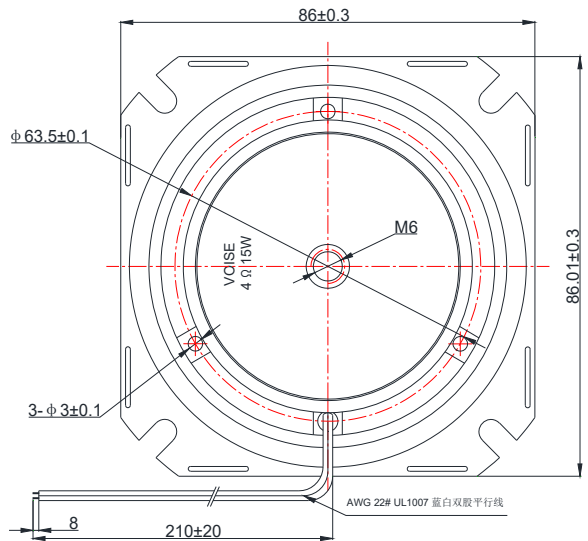
1.0

Model No. : VSH-86x86R4F14P15

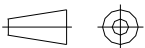
Drawing No.

VS20230310012

## 7. Dimensions



FIRST ANGLE PROJECTION



UNIT : mm

Tolerance : ±1.5

# Specification for horn speaker

Page

7/7

Revision No.

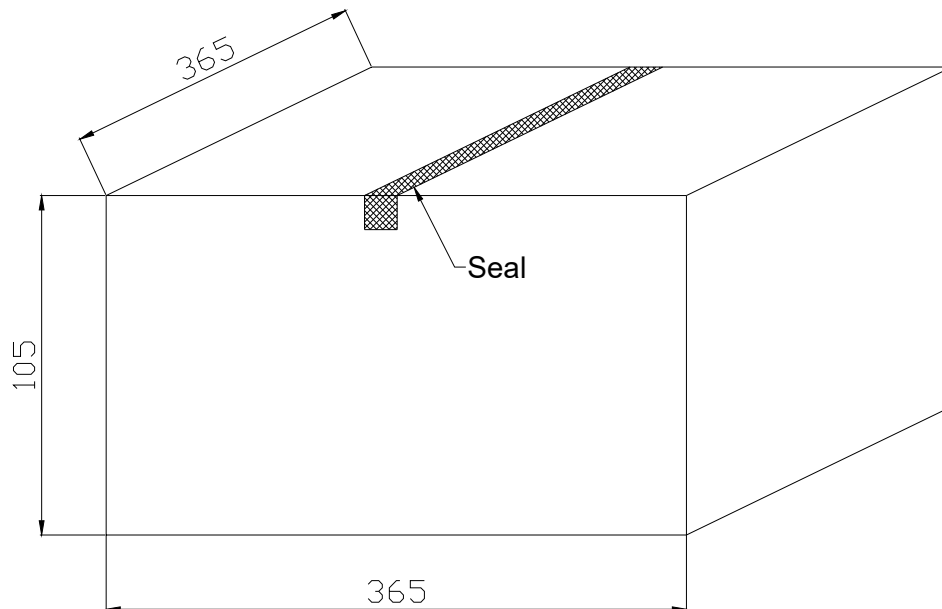
1.0

Model No. : VSH-86x86R4F14P15

Drawing No.

VS20230310012

## 8. Packing



365X365X115mm

QTY: 32 PCS