

DIN Rail Mounting Enclosures for Raspberry Pi 4 (Manufactured by Italtronic SRI. Padova, Italy)

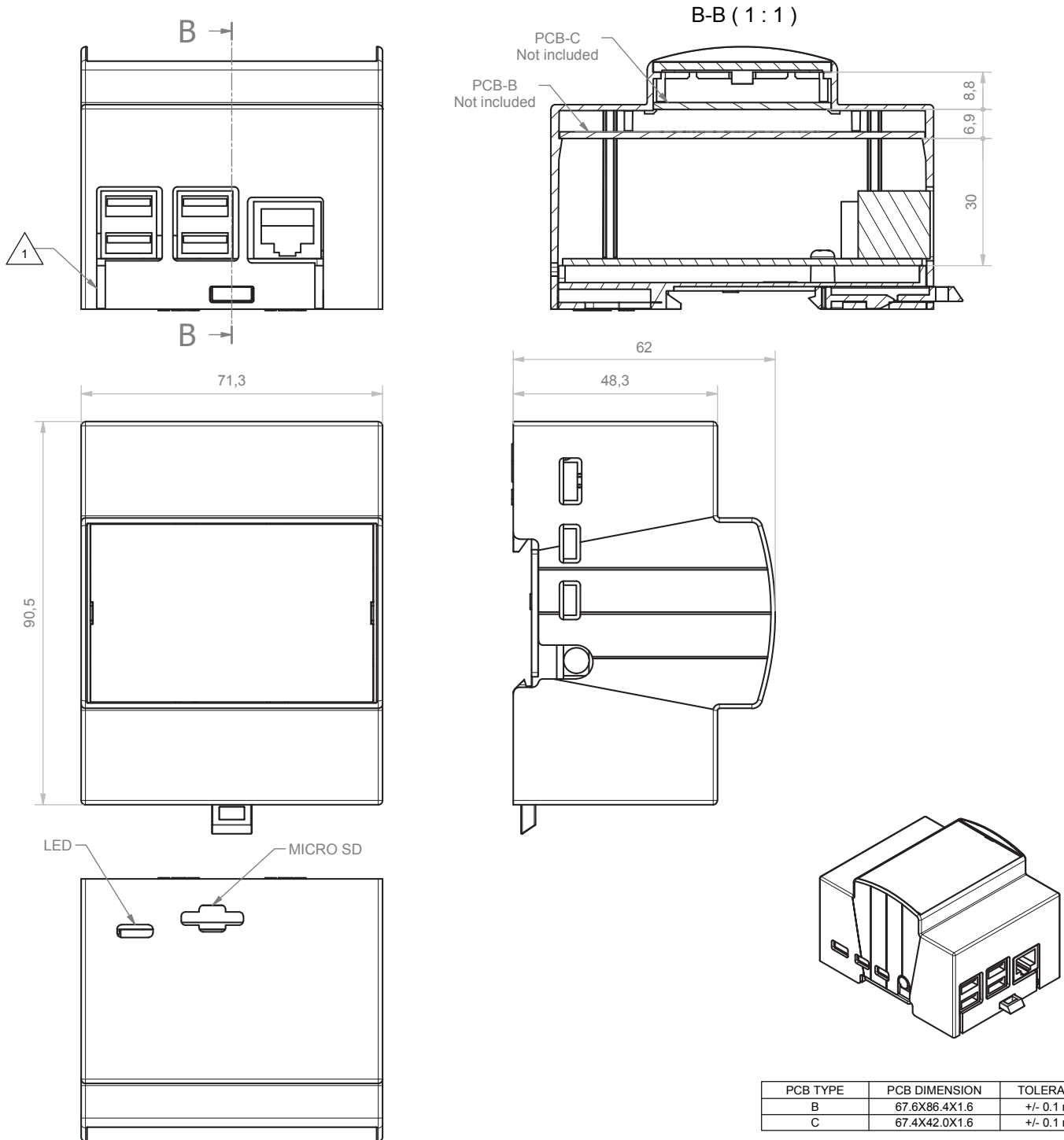


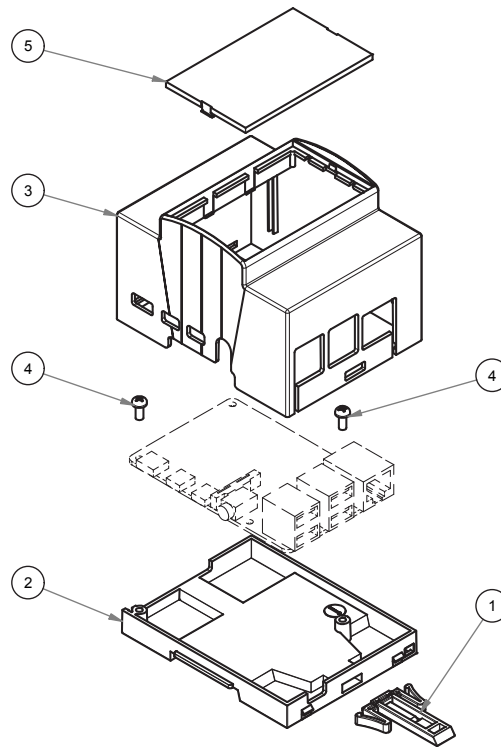
P/N - 25.0410000.RP4

Raspberry Pi 4 Din Rail Enclosure

KIT Supplied includes:

Base, Enclosure Body, DIN Rail Hook, Transparent Top Panel





| RIF. | Q.TY | DESCRIPTION | DRAWING |
|------|------|---|-------------|
| 1 | 1 | MODULAR HOOK LONG | 2_250_00072 |
| 2 | 1 | BASE 4M XT WITH SPACERS FOR RASPBERRY PI B+/3/4 AND ODROID C1/C1+ | 2_050_00025 |
| 3 | 1 | BODY ENCLOSURE 4M53-C XTS RASPBERRY PI4 | 2_050_00026 |
| 4 | 2 | SCREW 2.9 X 6.5 TRUNC | 8_100_00003 |
| 5 | 1 | PANEL 4M WITHOUT FRAME | 2_250_00088 |