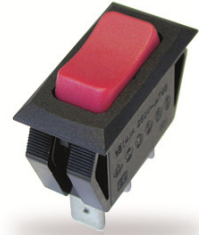


Rocker Switch

Single Pole

CR Series



Features

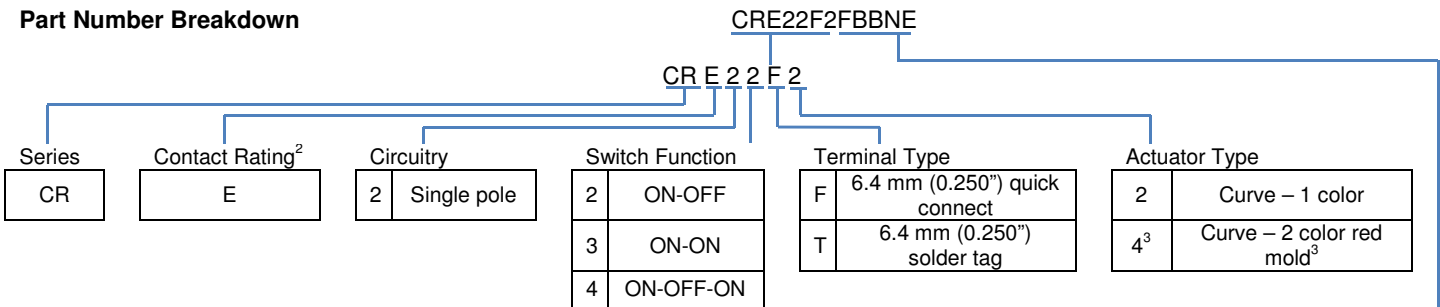
- Rugged design rated for 20 A UL (16 A VDE)
- Washable option available
- Two-color actuator available
- RoHS Compliant
- Lighted and non-lighted versions
- Minimum 100,000 operations mechanical life

Standard Parts¹

North America and Europe				Europe
CRE22F2BBALE	CRE22F2BBULE	CRE22F2PBBNE	CRE22F4FBBNE	CRE22F2BBAAEE
CRE22F2BBBNE	CRE22F2FBBNE	CRE22F4BBBNE	CRE23F2BBBNE	CRE22F2BBGEE
CRE22F2BBGLE	CRE22F2FBRNE	CRE22F4DBBNE	CRE24F2HBBNE	CRE22F2BBREE
CRE22F2BBRLE				

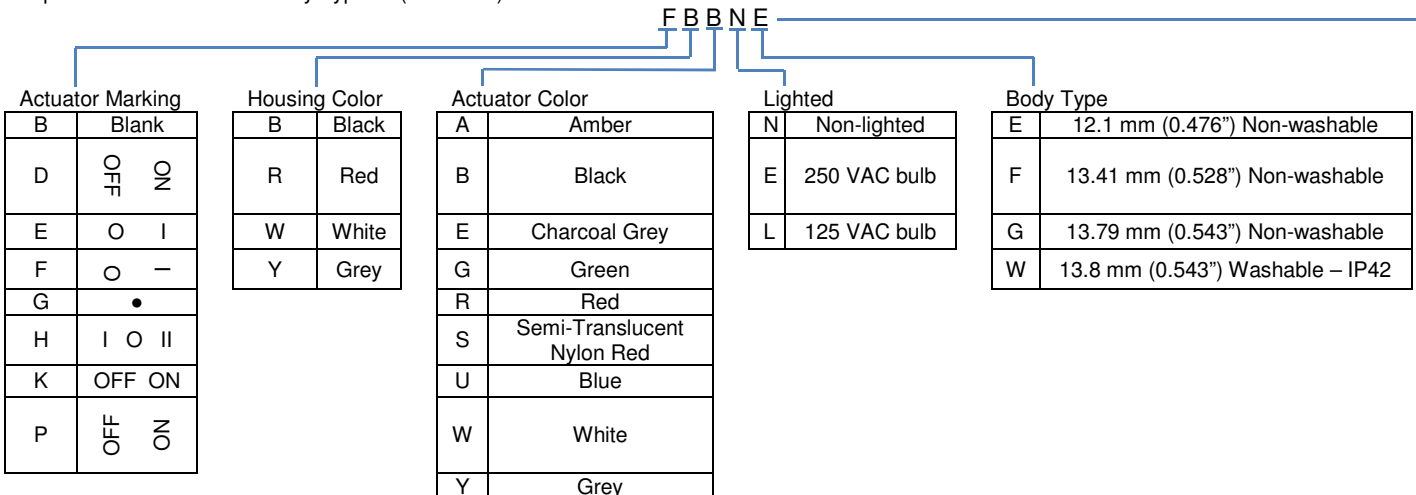
¹The part number configuration matrix below provides details to the part numbers above. For configurable part numbers that are not listed above or for custom part numbers, contact the factory or your distributor.

Part Number Breakdown



²See Electrical Specifications section

³Option not available with Body Type W (washable)



Electrical Specifications

Inrush Rating					24 A
Dielectric Strength					1000 VAC for 1 minute
Insulation Resistance					100 MΩ min at 500 VDC
Initial Contact Resistance					0.020 Ω max
Electrical Ratings					
<u>Switch Function</u>	<u>EN61058-1</u>	<u>UL Gen Purpose 1054</u>	<u>UL HP</u>	<u>VDC⁴</u>	
2 and 3	16 (4) A 250 VAC T125/55	20 A 125 VAC / 16 A 250 VAC	¾ HP 250 VAC	20 A 14 VDC	
4	16 (4) A 250 ~ μ T125/55	20 A 125 VAC / 16A 250 VAC	¾ HP 250 VAC	20 A 14 VDC	
Electrical Life at Rated Load	<u>VDE</u>	<u>UL</u>			
Minimum Operations	10,000	6,000			

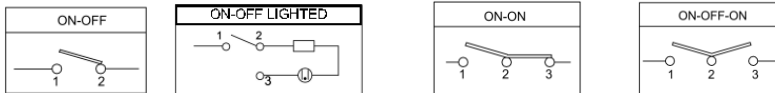
UL File No: E23301

⁴DC ratings not agency approved

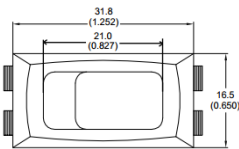
Material and Environmental Specifications

Actuator, non-lighted	Nylon 66 94V-2
Actuator, lighted	Polycarbonate
Base	Nylon 66 94V-2
Spring	Steel Wire
Contacts	Silver Alloy
Movable Arm	Silver-Plated Copper Alloy
Terminals	Tin-Plated Copper Alloy
Operating Temperature Range	-20 °C to +85 °C (-4 °F to +185 °F)

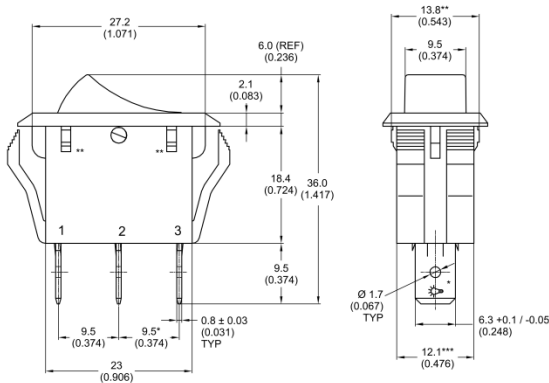
Circuitry and Switch Functions



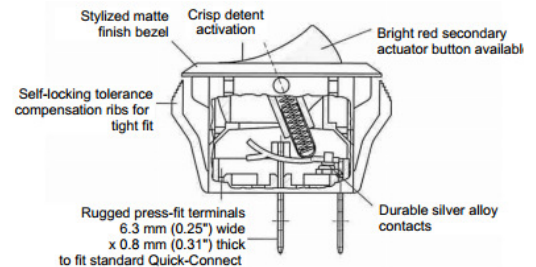
Dimensions mm (inches)



Panel thickness	Recommended Panel Cut-Out Dimensions		
	Body Type E	Body Type G	Body Type W
0.75 to 1.25 mm	28.6 +0.1/-0 x 12.2 +0.1/-0	28.6 +0.1/-0 x 13.9 +0.1/-0	28.6 +0.1/-0 x 13.9 +0.1/-0
1.25 to 2.00 mm	28.8 +0.1/-0 x 12.2 +0.1/-0	28.8 +0.1/-0 x 13.9 +0.1/-0	28.8 +0.1/-0 x 13.9 +0.1/-0
2.00 to 3.00 mm	29.2 +0.1/-0 x 12.2 +0.1/-0	29.2 +0.1/-0 x 13.9 +0.1/-0	29.2 +0.1/-0 x 13.9 +0.1/-0



* TERMINAL 3 NOT ON UNLIGHTED ON-OFF SWITCHES
 ** HOUSING RIBS NOT AVAILABLE ON BODY TYPE E
 *** BODY TYPES E, G, 12.8 (0.504) FOR BODY TYPE W
 ALL TOLERANCES ± 0.3 mm (0.012 in) UNLESS OTHERWISE SPECIFIED



Mouser Electronics

Authorized Distributor

Click to View Pricing, Inventory, Delivery & Lifecycle Information:

ZF Electronics:

[CRE22F2BBRLE](#) [CRE22F2BBALE](#) [CRE22F2BBGLE](#) [CRE22F4DBBNE](#) [CRE22F4BBBNE](#) [CRE22F2BBBNE](#)
[CRE24F2HBBNE](#) [CRE22F2FBRNE](#) [CRE23F2BBBNE](#) [CRE22F2PBBNE](#) [CRE22F2FBBNE](#) [CRE22F4FBBNE](#)
[CRE24F2BBRNE](#) [CRE22F4BWWNE](#) [CRE22F4BYYNE](#) [CRE24F2BBBNW01](#)