

# C5/C6 - SERIES SPECIFICATIONS AND ORDERING INFORMATION

0.92" DIAMETER 1.0 AMP @ 28 VDC

The C5 Series offers a very economical and lightweight design. Standard features include 30° indexing up to 12 positions, solder lug terminals, fixed stops, and both internal and external seals for washability. The C6 Series offers the same features in an unsealed design.



## SPECIFICATIONS

### ELECTRICAL

**Current and Voltage Rating:** Make and break resistive load  
1 amp @ 28 VDC; 1 amp @ 125 VAC.  
**Current Carrying Capacity:** 5 amps.  
**Dielectric Strength:** 1,000 VAC between current carrying parts and ground.  
**Contact Resistance:** Average initial 20 milliohms.  
**Insulation Resistance:** In excess of 10,000 megohms.

**Hardware:** Mounting nut and lockwasher are shipped assembled.

### MECHANICAL

**Materials and Finishes:** All parts utilize non-corrosive materials as standard.  
**Terminals and Contacts:** Brass with silver plate as standard.  
**Insulation:** Polyester.  
**Index:** Molded live spring detent.  
**Index Life:** 10,000 cycles minimum.  
**Index Torque:** Switches have lowest practical torque consistent with crisp detenting and smooth, reliable operation.  
**Index Angles:** Positive 30° standard.  
**Index Stops:** Fixed standard, adjustable, or continuous available.  
**Stop Strength:** 4.5 in. lbs. minimum.

## STANDARD PART NUMBER

### C5 - SOLDER LUG TERMINALS

SWITCHES - 30° INDEX - ADJUSTABLE STOPS - SET @ 2 POS. - SEALED

| POLES | ACTIVE POSITIONS | POLES/ SECTION | NO. OF SECTIONS | NON-SHORTING | FIG. * |
|-------|------------------|----------------|-----------------|--------------|--------|
| 01    | 02-12            | 1              | 1               | C5P0112N - A | CE     |
| 02    | 02-06            | 2              | 1               | C5P0206N - A | CJ     |
| 03    | 02-04            | 3              | 1               | C5P0304N - A | CL     |
| 04    | 02-03            | 4              | 1               | C5P0403N - A | CM     |

### C5 - P.C. TERMINALS

SWITCHES - 30° INDEX - ADJUSTABLE STOPS - SET @ 2 POS. - SEALED

| POLES | ACTIVE POSITIONS | POLES/ SECTION | NO. OF SECTIONS | NON-SHORTING  | FIG. * |
|-------|------------------|----------------|-----------------|---------------|--------|
| 01    | 02-12            | 1              | 1               | C5P0112N - RA | CE     |
| 02    | 02-06            | 2              | 1               | C5P0206N - RA | CJ     |
| 03    | 02-04            | 3              | 1               | C5P0304N - RA | CL     |
| 04    | 02-03            | 4              | 1               | C5P0403N - RA | CM     |

### C6 - UNSEALED

| POLES | ACTIVE POSITIONS | POLES/ SECTION | NO. OF SECTIONS | NON-SHORTING | FIG. * |
|-------|------------------|----------------|-----------------|--------------|--------|
| 01    | 02-12            | 1              | 1               | C6P0112N - A | CE     |
| 02    | 02-06            | 2              | 1               | C6P0206N - A | CJ     |
| 03    | 02-04            | 3              | 1               | C6P0304N - A | CL     |
| 04    | 02-03            | 4              | 1               | C6P0403N - A | CM     |

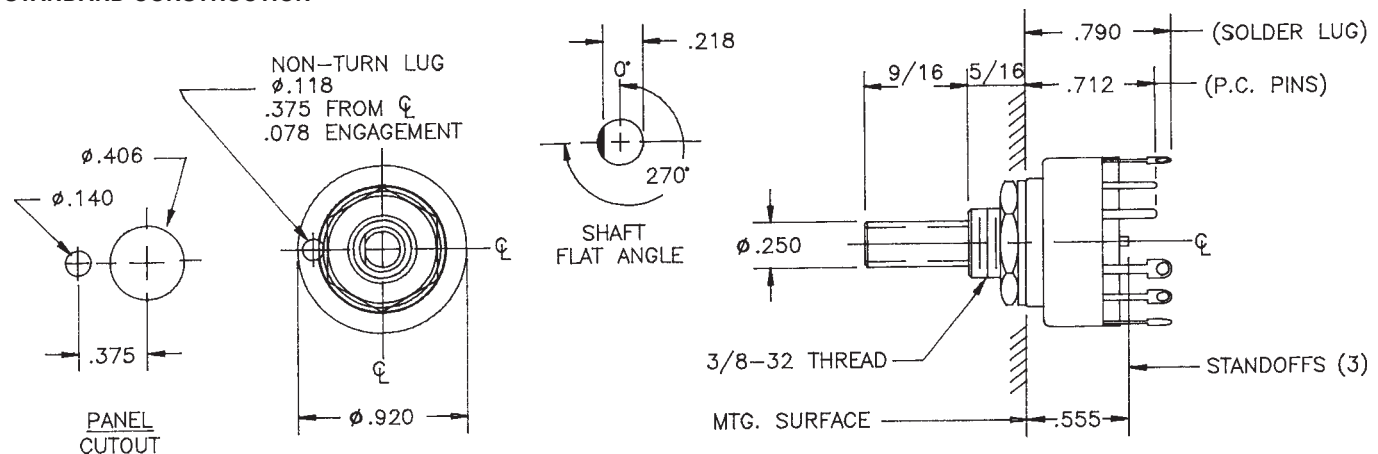
### C6 - UNSEALED

| POLES | ACTIVE POSITIONS | POLES/ SECTION | NO. OF SECTIONS | NON-SHORTING  | FIG. * |
|-------|------------------|----------------|-----------------|---------------|--------|
| 01    | 02-12            | 1              | 1               | C6P0112N - RA | CE     |
| 02    | 02-06            | 2              | 1               | C6P0206N - RA | CJ     |
| 03    | 02-04            | 3              | 1               | C6P0304N - RA | CL     |
| 04    | 02-03            | 4              | 1               | C6P0403N - RA | CM     |

\* FIGURES ARE SHOWN ON PAGE 55.

## DIMENSIONS

### STANDARD CONSTRUCTION



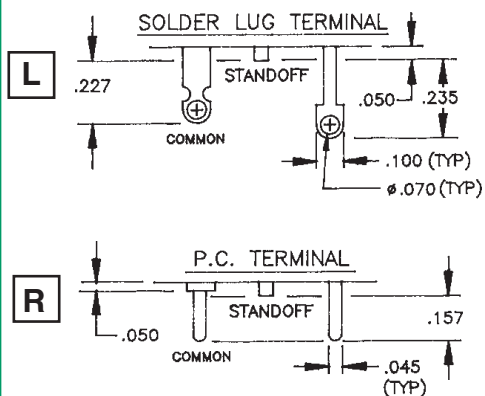
## How to Order Additional Options:

| 2 DIGIT SERIES | INSULATION TYPE        | TOTAL POLES | ACTIVE POSITIONS | CONTACT TYPE       | TERMINAL TYPE                   | INDEX ANGLE | STOP TYPE                          | SHAFT/BUSHING | SHAFT FLAT    |
|----------------|------------------------|-------------|------------------|--------------------|---------------------------------|-------------|------------------------------------|---------------|---------------|
| C5             | P - POLYESTER SEALED   | 01          | 12 - MAX         | N - NON - SHORTING | L - SOLDER LUG<br>R - REAR P.C. |             | F - FIXED<br>A - ADJ.<br>C - CONT. | SEE CHART "A" | SEE CHART "B" |
|                |                        | 02          | 06 - MAX         |                    |                                 |             |                                    |               |               |
|                |                        | 03          | 04 - MAX         |                    |                                 |             |                                    |               |               |
|                |                        | 04          | 03 - MAX         |                    |                                 |             |                                    |               |               |
| C6             | P - POLYESTER UNSEALED | 01          | 12 - MAX         | N - NON - SHORTING |                                 |             |                                    |               |               |
|                |                        | 02          | 06 - MAX         |                    |                                 |             |                                    |               |               |
|                |                        | 03          | 04 - MAX         |                    |                                 |             |                                    |               |               |
|                |                        | 04          | 03 - MAX         |                    |                                 |             |                                    |               |               |

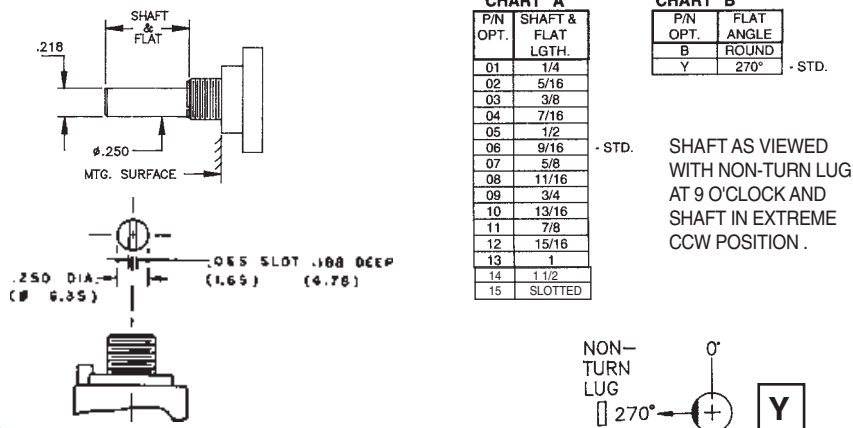
  

| CUSTOMERS SPECIFIED ORDER NUMBER FOR STANDARD OPTIONS |                      |                      |                      | ADDITIONAL OPTIONS       |                          |                          |
|---|----------------------|----------------------|----------------------|--------------------------|--------------------------|--------------------------|
| <input type="text"/>                                  | <input type="text"/> | <input type="text"/> | <input type="text"/> | <input type="checkbox"/> | <input type="checkbox"/> | <input type="checkbox"/> |
|   | <b>P</b>             | (SPECIFY)            | (SPECIFY)            | <b>N</b>                 | (SPECIFY)                | (SPECIFY)                |

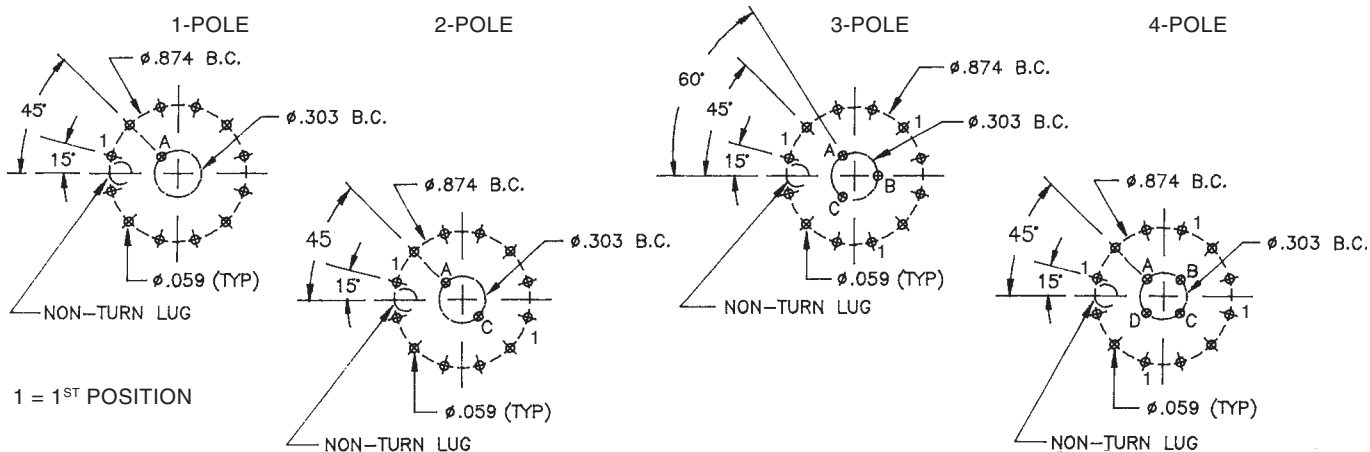
### TERMINAL TYPES



### SHAFT AND FLAT OPTIONS



### PRINTED CIRCUIT BOARD TERMINAL PATTERNS



CUSTOM SWITCHES ARE AVAILABLE. CONTACT THE FACTORY WITH YOUR COMPLETE SPECIFICATIONS.

# Mouser Electronics

Authorized Distributor

Click to View Pricing, Inventory, Delivery & Lifecycle Information:

## Electroswitch:

[C5P0403N-A](#) [C6P0403N-A](#) [C5P0304N-A](#) [C6P0304N-A](#) [C5P0112N-A](#) [C5P0206N-A](#) [C6P0112N-A](#) [C5P0206N-RA](#)  
[C5P0403N-RA](#) [C5P0304N-RA](#) [C6P0112N-RA](#) [C6P0206N-RA](#) [C6P0304N-RA](#)