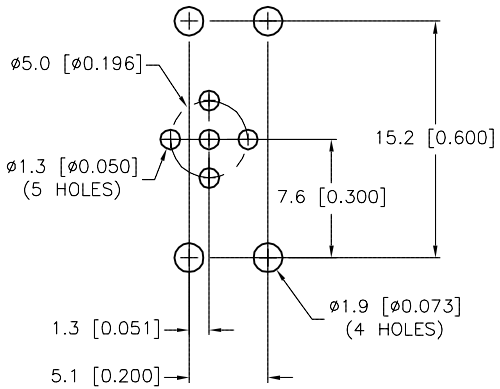
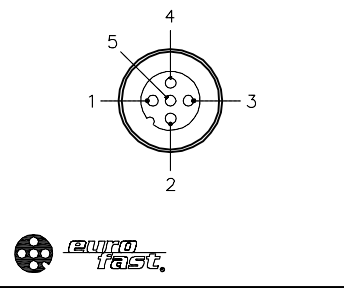


BOARD LAYOUT

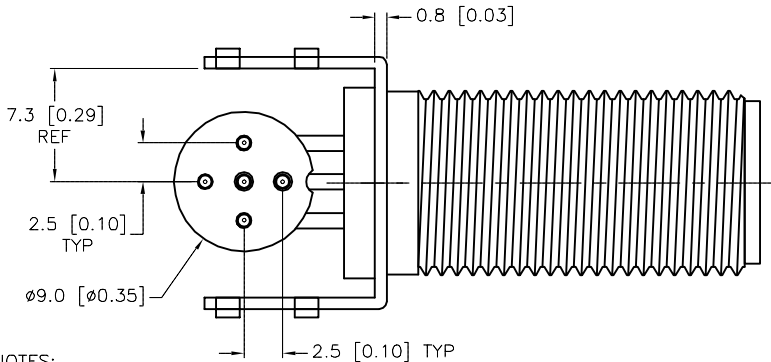
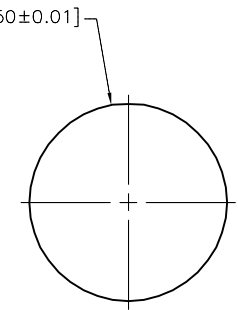
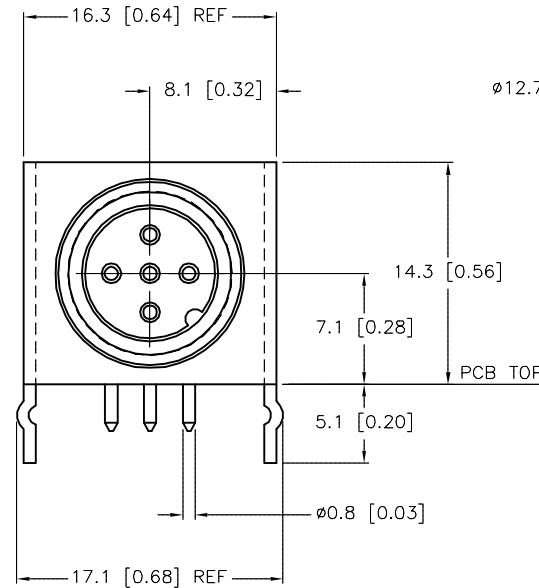
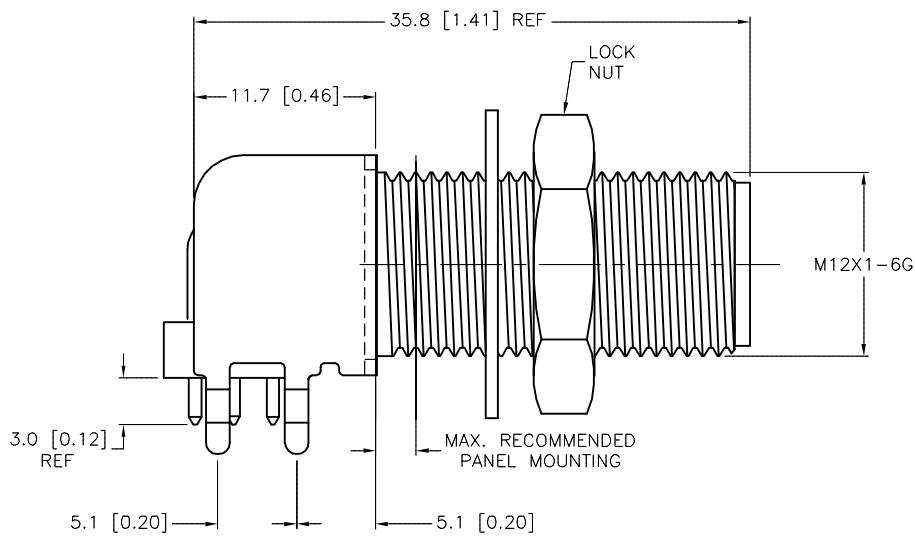


MALE END VIEW



SPECIFICATIONS

CONTACT CARRIER MATERIAL/COLOR	NYLON OR TPU/YELLOW
CONTACT MATERIAL/PLATING	BRASS/GOLD
HOUSING, LOCKNUT MATERIAL/PLATING	BRASS/NICKEL
RATED CURRENT [A]	4.0 A
RATED VOLTAGE [V]	250 V
NUMBER OF CONDUCTORS [AWG]	PRINTED CIRCUIT PINS
TEMPERATURE RATING	-40°C to +80°C (-40°F to +176°F)
PROTECTION CLASS	MEETS NEMA 1,3,4,6P AND IEC IP68



NOTES:

- DO NOT REMOVE PIN SPACER.
- UNIT SNAP-FITS INTO 0.062 TO 0.125 THICK PC BOARDS.

SOURCE DRAWING - FOR REFERENCE ONLY

RELATED DOCUMENTS 1. INSERT SHEET 10240204 2. 3. 4.		3RD ANGLE PROJECTION 		THIS DRAWING IS CONFIDENTIAL AND THE PROPERTY OF TURCK INC. USE OF THIS DOCUMENT WITHOUT WRITTEN PERMISSION IS PROHIBITED.		3000 CAMPUS DRIVE MINNEAPOLIS, MN 55441 1-800-544-7769 (763) 553-7300 (763) 553-0708 fax turck.com	
MATERIAL		DRFT	GC	DATE	03/08/99	DESCRIPTION WFS 4.5-PCB	
FINISH		APVD		SCALE	2=1.0	IDENTIFICATION NO. U2369-1	
		UNIT OF MEASUREMENT MILLIMETER [INCH]				REV H	
		CONTACT TURCK FOR MORE INFORMATION		DO NOT SCALE THIS DRAWING		FILE: U2369-1	
H		ADD WASHER PER ECO		BY	KMY	DATE	04/23/14
REV		DESCRIPTION		ECO NO.	45597	SHEET 1 OF 1	